

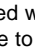
Thank you for purchasing a Sealey product. Manufactured to a high standard this product will, if used according to these instructions and properly maintained, give you years of trouble free performance.

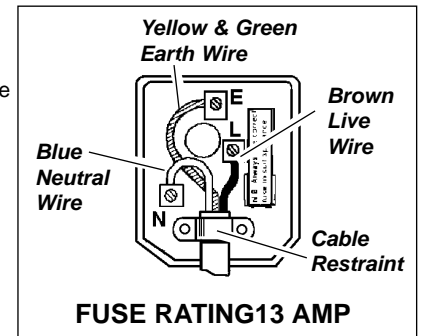


**IMPORTANT: PLEASE READ THESE INSTRUCTIONS CAREFULLY. NOTE THE SAFE OPERATIONAL REQUIREMENTS, WARNINGS, AND CAUTIONS. USE THIS PRODUCT CORRECTLY, AND WITH CARE FOR THE PURPOSE FOR WHICH IT IS INTENDED. FAILURE TO DO SO MAY CAUSE DAMAGE AND/OR PERSONAL INJURY AND WILL INVALIDATE THE WARRANTY.**

## 1. SAFETY INSTRUCTIONS

### 1.1 ELECTRICAL SAFETY

- ❑ **WARNING!** It is the responsibility of the owner and the operator to read, understand and comply with the following:
  - You must check all electrical products, before use, to ensure that they are safe. You must inspect power cables, plugs, sockets and any other connectors for wear or damage. You must ensure that the risk of electric shock is minimised by the installation of appropriate safety devices. A Residual Current Circuit Breaker (RCCB) should be incorporated in the main distribution board. We also recommend that a Residual Current Device (RCD) is used. It is particularly important to use an RCD with portable products that are plugged into a supply which is not protected by an RCCB. If in any doubt consult a qualified electrician. You may obtain a Residual Current Device by contacting your Sealey dealer.
  - You must also read and understand the following instructions concerning electrical safety.
- 1.1.1 The Electricity at Work Act 1989 requires that all portable electrical appliances, if used on business premises, are tested by a qualified electrician, using a Portable Appliance Tester (PAT), at least once a year.
- 1.1.2 The Health & Safety at Work Act 1974 makes owners of electrical appliances responsible for the safe condition of those appliances and the safety of the appliance operators. If in any doubt about electrical safety, contact a qualified electrician.
- 1.1.3 Ensure that the insulation on all cables and on the appliance is safe before connecting it to the power supply. See 1.1.1 and 1.1.2 and use a Portable Appliance Tester.
- 1.1.4 Ensure that cables are always protected against short circuit and overload.
- 1.1.5 Regularly inspect power supply cables and plugs for wear or damage and check all connections to ensure that none is loose.
- 1.1.6 Important: Ensure that the voltage marked on the appliance matches the power supply to be used and that the plug is fitted with the correct fuse - see fuse rating at right.
- 1.1.7 **DO NOT** pull or carry the appliance by the power cable.
- 1.1.8 **DO NOT** pull the plug from the socket by the cable.
- 1.1.9 **DO NOT** use worn or damaged cables, plugs or connectors. Immediately have any faulty item repaired or replaced by a qualified electrician. When a BS 1363/A UK 3 pin plug is damaged, cut the cable just above the plug and dispose of the plug safely.
  - Fit a new plug according to the following instructions (UK only).
  - a) Connect the GREEN/YELLOW earth wire to the earth terminal 'E'.
  - b) Connect the BROWN live wire to the live terminal 'L'.
  - c) Connect the BLUE neutral wire to the neutral terminal 'N'.
  - d) After wiring, check that there are no bare wires, that all wires have been correctly connected, that the cable outer insulation extends beyond the cable restraint and that the restraint is tight. Double insulated products, which are always marked with this symbol , are fitted with live (brown) and neutral (blue) wires only. To rewire, connect the wires as indicated above - **DO NOT** connect either wire to the earth terminal.
- 1.1.10 Products which require more than 13 amps are supplied without a plug. In this case you must contact a qualified electrician to ensure that a suitably rated supply is available. We recommend that you discuss the installation of an industrial round pin plug and socket with your electrician.
- 1.1.11 If an extension reel is used it should be fully unwound before connection. A reel with an RCD fitted is preferred since any appliance plugged into it will be protected. The cable core section is important and should be at least 1.5mm<sup>2</sup>, but to be absolutely sure that the capacity of the reel is suitable for this product and for others which may be used in the other output sockets, we recommend the use of 2.5mm<sup>2</sup> section cable.



### 1.2 GENERAL SAFETY

- ✓ Disconnect the ventilator from the mains power when not in use, and before servicing or performing any maintenance.
- ✓ Use the fan in dry areas only. Do not use in wet or high condensation locations such as bathrooms, showers, or pools.
- ❑ **WARNING!** If a ventilator falls into water, immediately switch off at the mains and disconnect from the mains power supply. **DO NOT** touch the ventilator until the mains power supply has been disconnected.
- ✓ Always disconnect the ventilator from the power supply when moving it from one location to another.
- ✓ Keep the ventilator clean and maintain in good condition (use an authorised service agent).
- ✓ Use recommended parts only (unauthorised parts may be dangerous, and will invalidate your warranty).
- x **DO NOT** stand the ventilator where it may be knocked over or off a surface, or where the lead may cause a person to trip.
- x **DO NOT** use an extension cord unless it has been approved by an electrical authority.
- x **DO NOT** insert any objects through the fan guard.
- x **DO NOT** allow children to operate the ventilator.
- x **DO NOT** immerse the ventilator in water or any other liquid.
- x **DO NOT** use the ventilator outdoors.
- ✓ When not in use store in a safe, dry, childproof location.
- x **DO NOT** cover the ventilator.

VEN200



VEN200 & VEN300 - 2 - 16/01/06

## Get In Touch

Call: 0845 6880112  
 Email: [info@adremit.co.uk](mailto:info@adremit.co.uk)

## Our Address

Puravent, Adremit Limited, Unit 5a, Commercial Yard,  
 Settle, North Yorkshire, BD24 9RH

## 2. INTRODUCTION & SPECIFICATIONS

Ideal for use where high volume air delivery is required. Especially suitable for ventilating confined, hot or fume laden work sites, typically as found in boats, cable/pipe ducts, roof spaces etc. Light weight and robust construction give the portability and durability necessary in the work place. Fitted with carry handle, 2.4mtr cable and ASTA/BS approved plug. Supplied with 5mtr ducting.

Model No: .....VEN200	Fan Speed: .....2800rpm	Additional Ducting (5mtr): .....VEN200AK1
Supply: .....230V 1ph	Air Flow: .....25m <sup>3</sup> /min	Additional Ducting (10mtr): .....VEN200AK2
Motor: .....180W	Static Pressure: .....2.4mbar	<b>Note:</b> Maximum length 10mtr
Fan Diameter: .....200mm	Weight (without ducting): .....7.4kg	
Model No: .....VEN300	Fan Speed: .....2800rpm	Additional Ducting (5mtr): .....VEN300AK1
Supply: .....230V 1ph	Air Flow: .....60m <sup>3</sup> /min	Additional Ducting (10mtr): .....VEN300AK2
Motor: .....520W	Static Pressure: .....3.4mbar	<b>Note:</b> Maximum length 10mtr
Fan Diameter: .....300mm	Weight (without ducting): .....11.7kg	

## 3. ASSEMBLY

### 3.1 AIR DUCTING

- 3.1.1 The ducting can be used to either suck the air from an area or blow air into an area.
- 3.1.2 To extract air from an area attach the ducting (fig 1) to the inlet. Place the other end of the ducting into the desired area.
- 3.1.3 To blow air into an area, attach the ducting to the opposite end of the unit and locate the ducting in the area you wish to ventilate.

**Note:** The ducting has suspension eyes attached. These can be used to suspend the ducting if elevation is necessary to carry out the required ventilation.

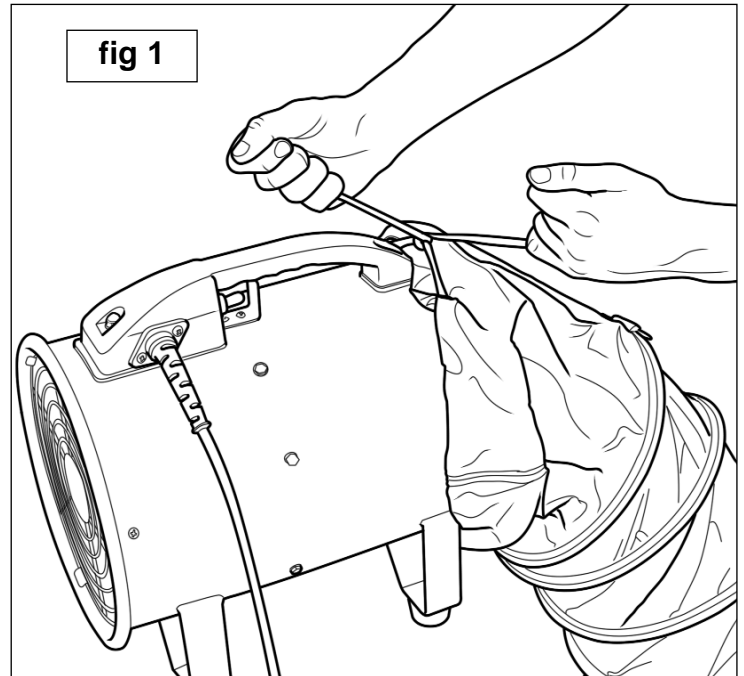


fig 1

## 4. OPERATION

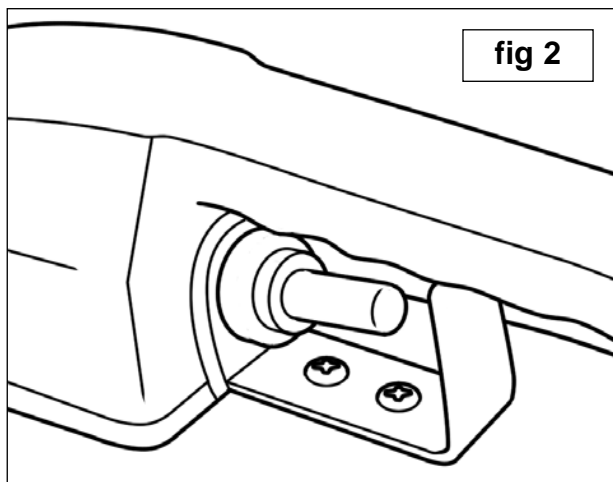


fig 2

### 4.1 OPERATING THE UNIT

- 4.1.1 Plug the mains socket into an adequate power supply.
- 4.1.2 Use the toggle switch (fig 2) to start/stop the unit.

**Declaration of Conformity** We, the sole importer into the UK, declare that the products listed here are in conformity with the following standards and directives.

**PORTABLE VENTILATORS**  
**Models: VEN200 & VEN300**  
 98/37/EC Machinery Directive  
 73/23/EEC Low Voltage Directive  
 89/336/EEC EMC Directive  
 93/68/EEC Marking Directive



The construction files for these products are held by the Manufacturer and may be inspected, by a national authority, upon request to Jack Sealey Ltd.

Signed by Mark Sweetman

11th July 2005

For Jack Sealey Ltd.  
 Sole importer into the UK  
 of Sealey Power Products.

**NOTE:** It is our policy to continually improve products and as such we reserve the right to alter data, specifications and component parts without prior notice. **IMPORTANT:** No liability is accepted for incorrect use of this equipment. **WARRANTY:** Guarantee is 12 months from purchase date, proof of which will be required for any claim. **INFORMATION:** For a copy of our latest catalogue and promotions call us on 01284 757525 and leave your full name and address, including postcode.

**SEALEY POWER PRODUCTS**

Sole UK Distributor, Sealey Group, Bury St. Edmunds, Suffolk.



01284 757500



01284 703534



www.sealey.co.uk



sales@sealey.co.uk

VEN200 & VEN300 - 2 - 16/01/06

### Get In Touch



Call: 0845 6880112



Email: [info@adremit.co.uk](mailto:info@adremit.co.uk)

### Our Address

Puravent, Adremit Limited, Unit 5a, Commercial Yard,  
 Settle, North Yorkshire, BD24 9RH