



AW Axial Fans

Low pressure axial wall fans up to 39.000 m³/h

- Available with AC and EC motors for 50 and 60Hz
- Installation in any position
- Noise and energy optimized impeller

[Find more details in our online catalogue](#)

Flexible

The AW fans are **designed** for extracting air in **low pressure systems**. They can be installed in any position and way according to your demands.

This ensures that the fans can be used in a variety of **commercial** and **industrial** applications.

Performance

The **noise optimized** axial impellers together with the **high efficient** external rotor motors are designed to ensure high-level performance to **minimize power consumption** and **maximize efficiency**.

Get In Touch



Call: [0845 6880112](tel:08456880112)



Email: info@adremit.co.uk

Our Address

Puravent, Adremit Limited, Unit 5a, Commercial Yard, Settle, North Yorkshire, BD24 9RH



Features

Construction

The square wall plate is made of galvanized steel with powder coating in RAL9005.

The range with **AC motors**, sizes **200-630** are provided **with inlet protection grid** and sizes **710-1000 without inlet protection grid**.

The **complete** range with **EC motors** is provided **with inlet protection grid**. Depending on the type, the fans are equipped with an external **terminal box**, protection class **IP44, IP54 or IP55**.

Impeller

The AW fans use **axial impellers**. These are made of **coated steel, composite material or aluminum**, are dynamically **balanced** and are paired with corresponding external rotor motors.

Motor

Depending on type, AW fans are equipped with an **AC or EC external rotor motor**. The motors are suitable for **50Hz** and **60Hz**.

Motor protection

Sizes **200-300** with **AC** motors are available with **integrated** thermal protection with manual (electrical) reset.

Sizes **200-1000** with **AC** motors are available with prewired integral **thermal contact** with leads to a **motor protection device**.

Models with **EC** motors have an **integrated** electronic, **thermal protection** including **locked-rotor protection** and **soft-start**.

Control

EC motors can be controlled by an external **signal of 0-10V**.



EC motors depending on size are also equipped with **ModBus** communication or **alarm signal**.

AC motors can be controlled by **5-step, stepless** speed regulator or **frequency inverter**.

Installation

The AW fans can be installed in **any position** on **wall** or **ceiling** in **indoor** environments.

Get In Touch

 Call: [0845 6880112](tel:08456880112)
 Email: info@adremit.co.uk

Our Address

Puravent, Adremit Limited, Unit 5a, Commercial Yard,
Settle, North Yorkshire, BD24 9RH



Technical parameters

Nominal data		
Voltage (nominal)	230	V
Frequency	50	Hz
Phases	1~	
Motor circuit connection	D	
Input power	260	W
Input power kW	0.26	kW
Input current	1.15	A
Impeller speed	1,320	rpm
Air flow	max 1.226	m ³ /s
Capacitance of capacitor	5	μF
Temperature of transported air	max 55	°C
Max temperature of transported air, when speed controlled	55	°C

Sound data		
Sound pressure level at 1m	66	dB(A)


Protection/Classification		
Enclosure class, motor	IP54	
Insulation class	F	

Data according to ErP		
ErP ready	ErP 2018	

Dimensions and weights		
Weight	8.7	kg

Others		
Color name, casing	Black	
Motor type	AC	

Get In Touch

 Call: 0845 6880112
 Email: info@adremit.co.uk

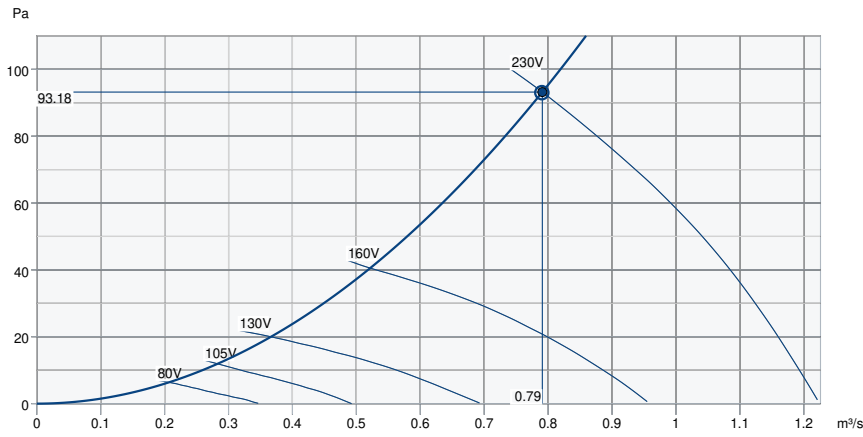
Our Address

Puravent, Adremit Limited, Unit 5a, Commercial Yard,
Settle, North Yorkshire, BD24 9RH



Performance

Performance curve



Hydraulic data

Required air flow	0.79 m³/s
Required static pressure	93 Pa
Working air flow	0.79 m³/s
Working static pressure	93 Pa
Air density	1.204 kg/m³
Power	257.1 W
Fan control - RPM	1,322 rpm
Current	1.13 A
SFP	0.325 kW/m³/s
Control voltage	230.0 V
Supply voltage	230 V

Get In Touch

Call: [0845 6880112](tel:08456880112)
 Email: info@adremit.co.uk

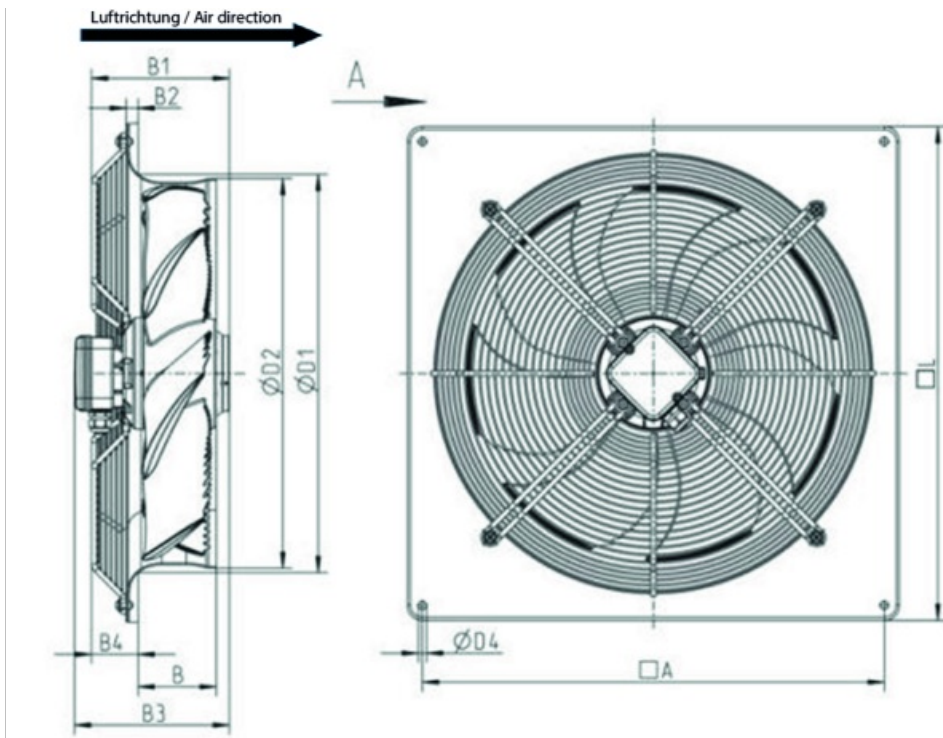
Our Address

Puravent, Adremit Limited, Unit 5a, Commercial Yard,
 Settle, North Yorkshire, BD24 9RH





Dimension



	□A	B	B1	B2	B3	B4	ØD1	ØD2	ØD4	□L
AW 400DV-L	490	88	146	12	182	54	420	412	9	540
AW 400E4-L	490	88	146	12	182	54	420	412	9	540

Get In Touch

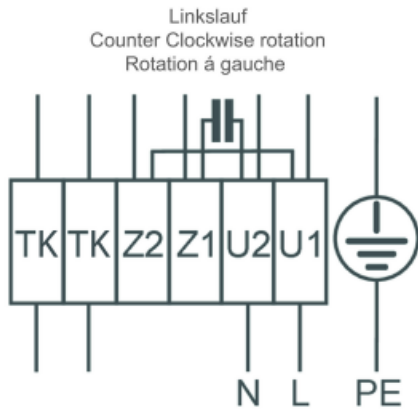
 **Call:** [0845 6880112](tel:08456880112)
 **Email:** info@adremit.co.uk

Our Address

Puravent, Adremit Limited, Unit 5a, Commercial Yard, Settle, North Yorkshire, BD24 9RH



Wiring



Get In Touch



Call: [0845 6880112](tel:08456880112)



Email: info@adremit.co.uk

Our Address

Puravent, Adremit Limited, Unit 5a, Commercial Yard,
Settle, North Yorkshire, BD24 9RH



Accessories

- AWE-SK Motorprotection 2A/230V (5138)
- REU 1.5 Speed control (5004)
- RTRE 1,5 Speed control (5008)
- RAW 400/450 Roof Cowl c/w BG (86511)
- REE 2 Speed control (5316)
- REV-5POL/05-7,5kW R/Y (33979)
- SG AW-D BGr 040, RAL 9005 (30601)
- VK-40 Louvre shutter (5643)

Documents

- BAL-AXIAL-SILEO-SYSTEMAIR-08-2013.PDF
- installation variations_1_AR_AW.pdf

Get In Touch



Call: [0845 6880112](tel:08456880112)



Email: info@adremit.co.uk

Our Address

Puravent, Adremit Limited, Unit 5a, Commercial Yard,
Settle, North Yorkshire, BD24 9RH