



Low pressure axial wall fans up to 39.000 m³/h

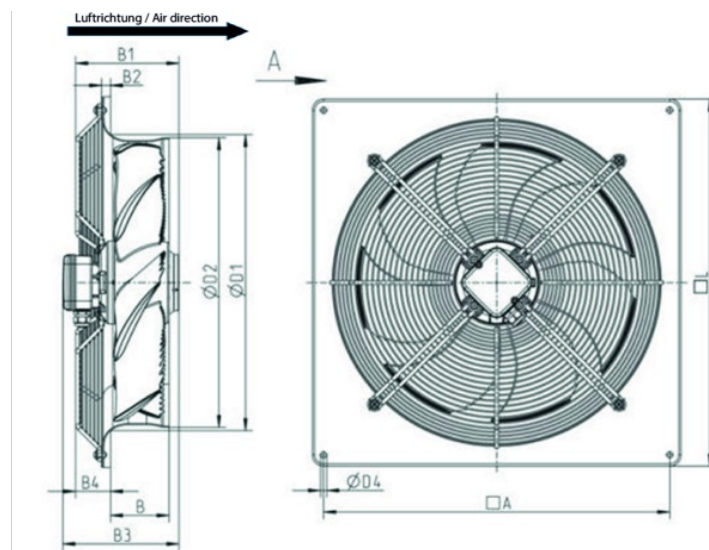
- Available with AC and EC motors for 50 and 60Hz
- Installation in any position
- Noise and energy optimized impeller

[Find more details in our online catalogue](#)

Technical parameters

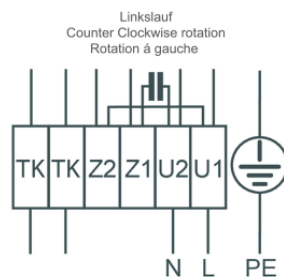
Nominal data	
Voltage (nominal)	230 V
Frequency	50 Hz
Phases	1~
Motor circuit connection	D
Input power	260 W
Input power kW	0.26 kW
Input current	1.15 A
Impeller speed	1,320 rpm
Air flow	max 1.226 m³/s
Capacitance of capacitor	5 µF
Temperature of transported air	max 55 °C
Max temperature of transported air, when speed controlled	55 °C
Sound data	
Sound pressure level at 1m	66 dB(A)
Protection/Classification	
Enclosure class, motor	IP54
Insulation class	F
Data according to ErP	
ErP ready	ErP 2018
Dimensions and weights	
Weight	8.7 kg
Others	
Color name, casing	Black
Motor type	AC

Dimension



	□A	B	B1	B2	B3	B4	ØD1	ØD2	ØD4	□L
AW 400DV-L	490	88	146	12	182	54	420	412	9	540
AW 400E4-L	490	88	146	12	182	54	420	412	9	540

Wiring



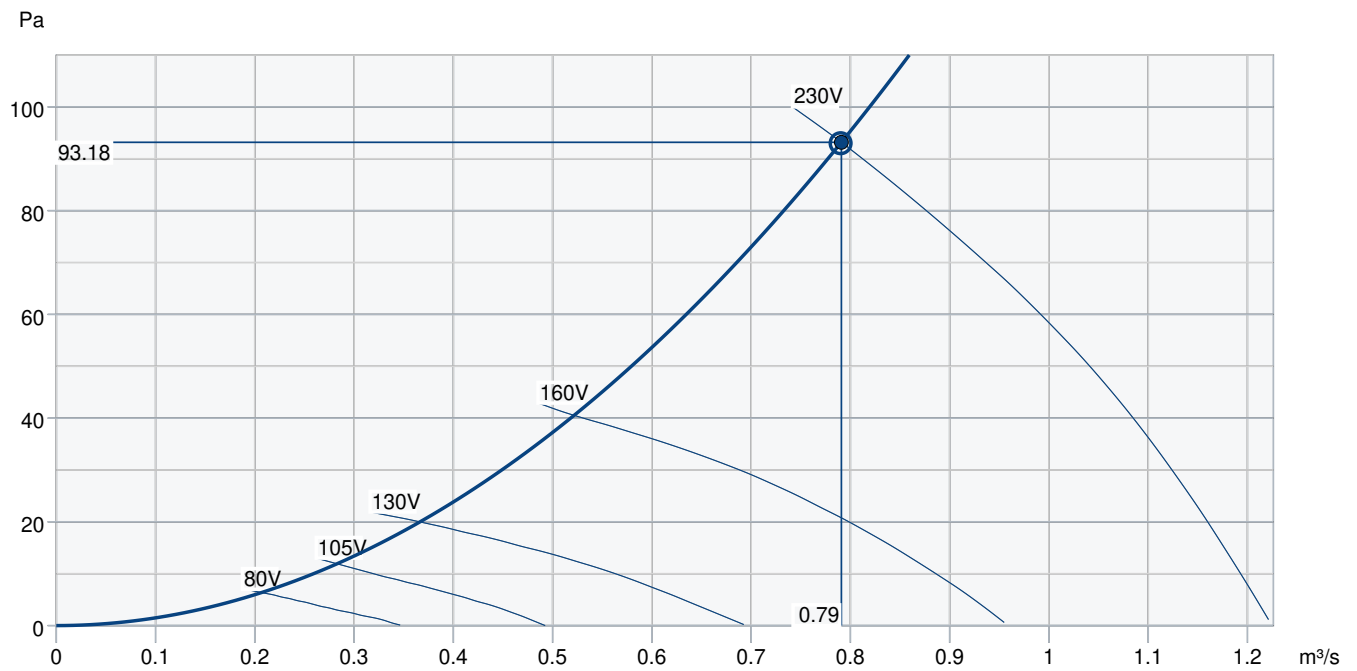
Get In Touch

Call: 0845 6880112
Email: info@adremit.co.uk

Our Address

Puravent, Adremit Limited, Unit 5a, Commercial Yard, Settle, North Yorkshire, BD24 9RH

Performance curve



Hydraulic data

Required air flow	0.79 m³/s
Required static pressure	93 Pa
Working air flow	0.79 m³/s
Working static pressure	93 Pa
Air density	1.204 kg/m³
Power	257.1 W
Fan control - RPM	1,322 rpm
Current	1.13 A
SFP	0.325 kW/m³/s
Control voltage	230.0 V
Supply voltage	230 V

Accessories

AWE-SK Motorprotection 2A/230V (5138)
 REU 1.5 Speed control (5004)
 RTRE 1,5 Speed control (5008)
 RAW 400/450 Roof Cowl c/w BG (86511)

REE 2 Speed control (5316)
 REV-5POL/05-7,5kW R/Y (33979)
 SG AW-D BGr 040, RAL 9005 (30601)
 VK-40 Louvre shutter (5643)

Documents

BAL-AXIAL-SILEO-SYSTEMAIR-08-2013.PDF
 installation_variations_1_AR_AW.pdf

Article name: AW 400E4-L sileo Axial fan | Product link: <https://shop.systemair.com/en-GB/productPermalink?p=95346> | Item Number: 34164 | Variant: 230V 1~ 50Hz | Document type: Product card | Created at: 04.07.2024 | Generated by: Systemair Online Catalogue | Language: English

Get In Touch

Call: 0845 6880112
 Email: info@adremit.co.uk

Our Address

Puravent, Adremit Limited, Unit 5a, Commercial Yard,
 Settle, North Yorkshire, BD24 9RH