



## GS+

### Gas-fired high performance air heater with axial fan

High efficiency air heater with modulating premix burner for unrestricted outlet into the room. Output from 13,6 to 142,2 kW.



For more information, downloads and videos, visit the GS+ page on our website

#### Get In Touch



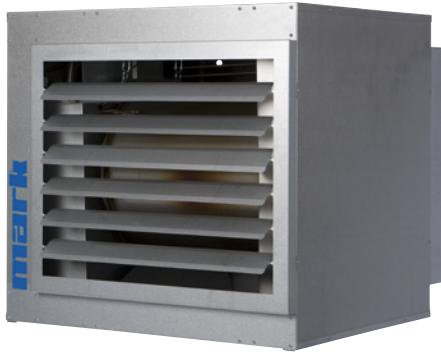
Call: [0845 6880112](tel:08456880112)



Email: [info@adremit.co.uk](mailto:info@adremit.co.uk)

#### Our Address

Puravent, Adremit Limited, Unit 5a, Commercial Yard, Settle, North Yorkshire, BD24 9RH

**Product features**

- Efficiency >106%
- Energy-saving
- Environmentally-friendly
- Modulating premix burner
- Outlet temperature sensor
- Low temperature rise of the exit air
- Low thermal stratification of the heated air
- Stainless steel heat exchanger
- Corrosion-resistant aluzinc housing

**Environmentally friendly heating with the GS+**

Mark manufactures a gas-fired, high-performance air heater with an axial fan. This condensing equipment provides efficiency greater than 106% (lower value). Heat is generated via a modulating premix-burner which results in very low gas consumption.

The GS+ is suitable in many situations due to its extensive capacity range from 13,6 to 142,2 kW. The GS+ is designed to heat garages, warehouses, distribution centres and showrooms.

**Standard equipment:**

- Stainless steel combustion chamber & heat exchanger
- Closed combustion circuit
- Advanced modulating burner technology
- Electronic ignition
- Low NOx
- Powerful axial fan(s)
- Downflow hood with horizontal louvers
- CE-approval
- PIN 0063BP3341
- Carbon trust (UK)


Optional: speed controlled low noise EC-motor. Advantages:

- The highest efficiency in case of speed control
- Up to 50% energy saving in case of partial load
- Almost completely linearly adjustable
- Long lifetime
- Low noise level
- Integrated electronic thermal protection



The GS+ is operated using an Optitherm+ clock thermostat or an Interface+ module that allows a connection with the BMS (building management system) via Modbus or a 0-10V contact.

**Get In Touch**

-  Call: [0845 6880112](tel:08456880112)  
 Email: [info@adremit.co.uk](mailto:info@adremit.co.uk)

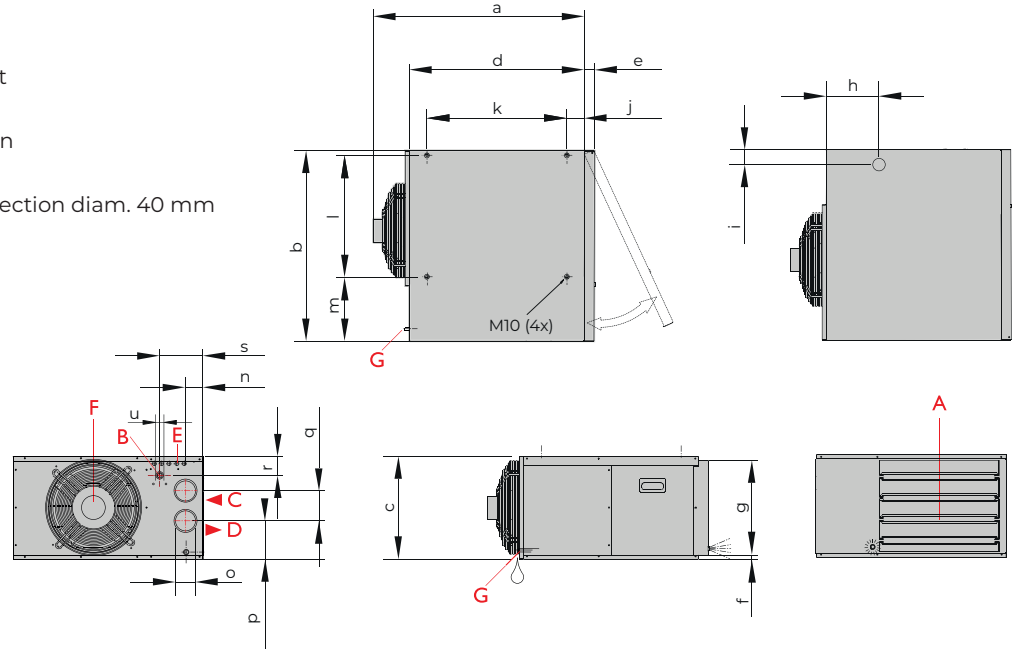
**Our Address**

Puravent, Adremit Limited, Unit 5a, Commercial Yard,  
Settle, North Yorkshire, BD24 9RH

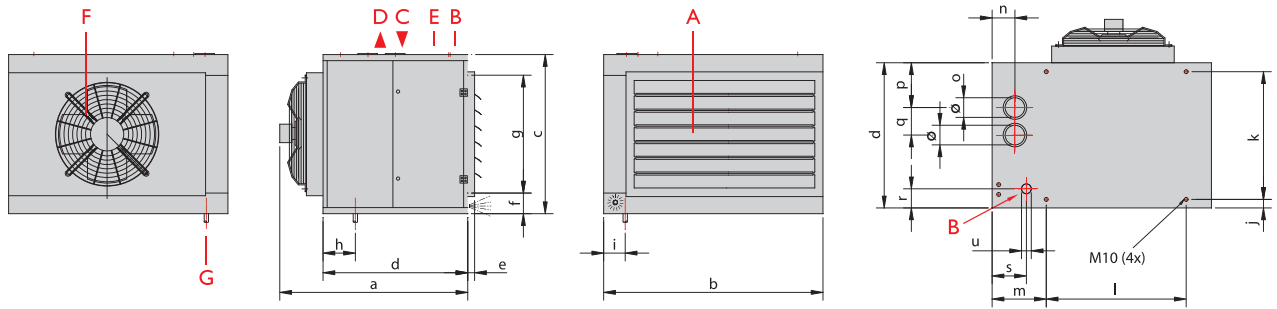


## Dimensions

- A = Horizontal louvres
- B = Gas connection
- C = Combustion air inlet
- D = Flue gas exhaust
- E = Electrical connection
- F = Axial fan
- G = Condensation connection diam. 40 mm



| Type  | a   | b   | c   | d   | e  | f  | g   | h   | i  | j  | k   | l   | m   | n  | o  | p   | q   | r  | s   | u        |
|-------|-----|-----|-----|-----|----|----|-----|-----|----|----|-----|-----|-----|----|----|-----|-----|----|-----|----------|
| 15/25 | 790 | 760 | 410 | 700 | 40 | 15 | 380 | 210 | 60 | 70 | 560 | 485 | 255 | 70 | 80 | 150 | 120 | 80 | 175 | 1/2" (M) |



| Type    | a    | b    | c    | d    | e  | f   | g   | h   | i   | j  | k   | l    | m   | n   | o   | p   | q   | r   | s   | u        |
|---------|------|------|------|------|----|-----|-----|-----|-----|----|-----|------|-----|-----|-----|-----|-----|-----|-----|----------|
| 35      | 969  | 875  | 810  | 739  | 35 | 105 | 600 | 165 | 110 | 90 | 560 | 470  | 275 | 120 | 80  | 240 | 120 | 97  | 135 | 3/4" (M) |
| 40      | 969  | 875  | 810  | 739  | 35 | 105 | 600 | 165 | 110 | 90 | 560 | 470  | 275 | 120 | 80  | 240 | 120 | 97  | 135 | 3/4" (M) |
| 60      | 969  | 1120 | 810  | 739  | 35 | 105 | 600 | 165 | 110 | 90 | 560 | 715  | 275 | 120 | 100 | 230 | 140 | 97  | 135 | 3/4" (M) |
| 80      | 969  | 1305 | 810  | 739  | 35 | 105 | 600 | 165 | 110 | 90 | 560 | 890  | 275 | 120 | 100 | 230 | 140 | 97  | 135 | 1" (M)   |
| 100     | 979  | 1595 | 810  | 739  | 35 | 105 | 600 | 165 | 110 | 90 | 560 | 1180 | 275 | 120 | 100 | 230 | 140 | 97  | 135 | 1" (M)   |
| 135/150 | 1180 | 1890 | 1000 | 1000 | 35 | 105 | 790 | 190 | 175 | 75 | 850 | 1455 | 295 | 165 | 130 | 235 | 225 | 140 | 170 | 1" (F)   |

### Get In Touch

Call: 0845 6880112  
 Email: [info@adremit.co.uk](mailto:info@adremit.co.uk)

### Our Address



Puravent, Adremit Limited, Unit 5a, Commercial Yard, Settle, North Yorkshire, BD24 9RH



## Technical information

| Type  |                   | 15          | 25          | 35          | 40          | 60          | 80          | 100          | 135          | 150          |
|---|-------------------|-------------|-------------|-------------|-------------|-------------|-------------|--------------|--------------|--------------|
| Nominal load (upper value)  | kW                | 16,1        | 27,2        | 38,8        | 44,4        | 66,7        | 88,9        | 110,6        | 149,9        | 166,7        |
| Maximal power   | kW                | 13,6        | 23,0        | 33,4        | 38,4        | 56,2        | 75,6        | 93,3         | 128,9        | 141,0        |
| Minimal load (upper value)  | kW                | 4,6         | 6,8         | 9,6         | 9,6         | 13,9        | 24,5        | 10,8         | 21,1         | 36,6         |
| Minimal power   | kW                | 4,3         | 6,6         | 9,2         | 9,2         | 13,5        | 23,8        | 10,6         | 20,6         | 35,3         |
| Flue efficiency at maximum load (lower value) <i>on/off fan</i>     | %                 | 94,1        | 93,9        | 95,1        | 95,1        | 93,6        | 94,0        | 93,8         | 95,5         | 94,0         |
| Flue efficiency at maximum load (lower value) <i>modulating fan</i> | %                 | 93,2        | 94,0        | 94,8        | 94,8        | 94,0        | 94,4        | 93,9         | 95,7         | 94,8         |
| Flue efficiency at minimum load (lower value) <i>on/off fan</i>     | %                 | 106,7       | 107,0       | 106,9       | 106,9       | 107,3       | 107,1       | 107,4        | 107,5        | 107,3        |
| Flue efficiency at minimum load (lower value) <i>modulating fan</i> | %                 | 106,1       | 106,7       | 106,4       | 106,4       | 106,6       | 106,9       | 106,9        | 107,4        | 107,1        |
| Burner turndown ratio   | +/-               | 3:1         | 4:1         | 4:1         | 5:1         | 5:1         | 7:1         | 6:1          | 7:1          | 4:1          |
| Gas consumption G20 (15 °C)   | m <sup>3</sup> /h | 1,50 - 0,41 | 2,54 - 0,57 | 3,62 - 0,89 | 4,15 - 0,90 | 6,22 - 1,07 | 8,29 - 1,27 | 10,30 - 1,68 | 13,99 - 1,76 | 15,57 - 3,68 |
| Gas consumption G25 (15 °C)   | m <sup>3</sup> /h | 1,75 - 0,49 | 2,95 - 0,65 | 4,1 - 1,02  | 4,73 - 1,02 | 7,03 - 1,20 | 9,3 - 1,44  | 11,57 - 1,91 | 15,98 - 2,00 | 17,65 - 4,18 |
| Gas consumption G31 (15 °C)   | kg/h              | 1,13 - 0,32 | 1,91 - 0,48 | 2,68 - 0,64 | 3,17 - 0,64 | 4,72 - 1,04 | 6,22 - 0,89 | 7,76 - 1,34  | 10,51 - 2,23 | 11,69 - 2,57 |
| Gas consumption G30 (15 °C)   | kg/h              | 1,19 - 0,33 | 2,02 - 0,51 | 2,92 - 0,72 | 3,46 - 0,72 | 5,05 - 1,11 | 6,70 - 0,96 | 8,19 - 1,48  | 11,1 - 1,85  | 12,35 - 2,72 |
| Air displacement (20 °C) <i>on/off fan</i>                          | m <sup>3</sup> /h | 1410        | 2190        | 5000        | 5000        | 5300        | 9000        | 9800         | 16300        | 16300        |
| Air displacement (20 °C) <i>modulating fan</i>                      | m <sup>3</sup> /h | 850 - 1730  | 1090 - 2470 | 1350 - 3900 | 1350 - 3900 | 2700 - 5500 | 4500 - 8800 | 5400 - 9400  | 7350 - 14500 | 7350 - 16300 |
| Delta T (ΔT) <i>on/off fan</i>                                      | K                 | 29,0 - 9,2  | 31,5 - 9,0  | 20,0 - 5,5  | 23,1 - 5,5  | 31,8 - 7,7  | 25,2 - 7,9  | 29,6 - 9,2   | 23,7 - 3,8   | 25,9 - 6,5   |
| Delta T (ΔT) <i>modulating fan</i>                                  | K                 | 23,4 - 14,8 | 28,0 - 17,8 | 25,7 - 20,4 | 29,3 - 19,9 | 30,8 - 14,5 | 25,9 - 15,6 | 30,9 - 16,5  | 26,7 - 8,3   | 26,2 - 14,2  |
| Throw   | m                 | 10 - 16     | 14 - 20     | 28 - 36     | 26 - 36     | 26 - 36     | 32 - 46     | 36 - 50      | 48 - 68      | 48 - 68      |
| Weight of GS+   | kg                | 50          | 56          | 95          | 95          | 111         | 136         | 155          | 228          | 230          |
| Noise level (5 m, side) <i>on/off fan</i>                           | dB(A)             | 44          | 48          | 48          | 48          | 51          | 52          | 52           | 58           | 58           |
| Noise level (5 m, side) <i>modulating fan</i>                       | dB(A)             | 44-31       | 48-31       | 47-31       | 47-31       | 51-33       | 49-33       | 52-34        | 55-34        | 55-34        |
| Electrical power at 230V  | W                 | 100         | 175         | 300         | 300         | 320         | 490         | 670          | 1280         | 1500         |
| Consumed current  | A                 | 0,5         | 0,8         | 1,4         | 1,4         | 2,0         | 2,9         | 3,2          | 6,5          | 7,6          |

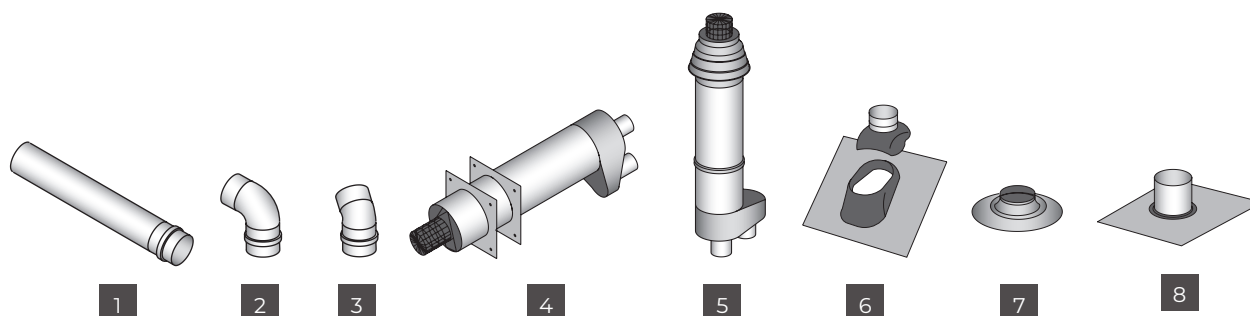
### Get In Touch

 Call: [0845 6880112](tel:08456880112)  
 Email: [info@adremit.co.uk](mailto:info@adremit.co.uk)

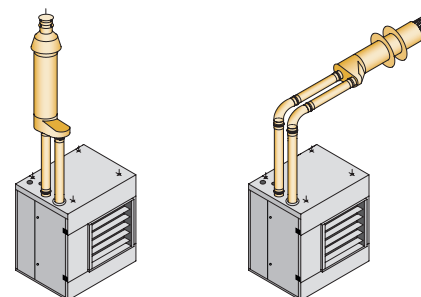
### Our Address

Puravent, Adremit Limited, Unit 5a, Commercial Yard, Settle, North Yorkshire, BD24 9RH

## Accessories – flue gas exhaust

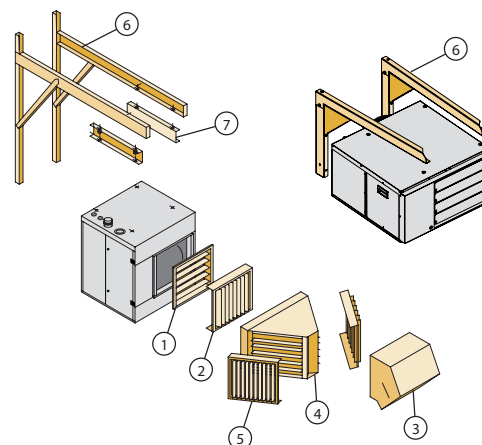


- 1 Extension set  
2 90° elbow  
3 45° elbow  
4 Single flue set horizontal
- 5 Single flue set vertical  
6 Roof flashing for pitched roof  
7 Adhesive plate  
8 Flexible roof flashing for cladded roof

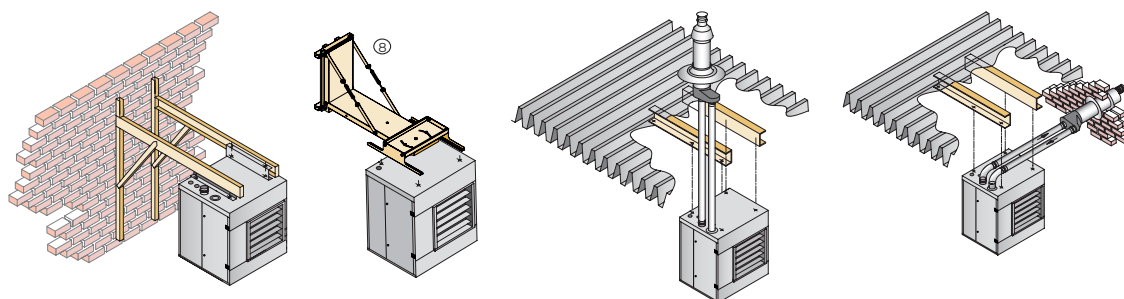


## Accessories – additional sections

- 1 = Horizontal louvers (standard)  
2 = Vertical louvres  
3 = Downflow hood 45°  
4 = Diffuser (2 x 45°) and horizontal louvers  
5 = Vertical louvres for diffuser  
6 = Set of wall mounting brackets  
7 = Shock absorbers set  
8 = Reversible wall bracket (types 15 - 60)



## Assembly/location suggestions



### Get In Touch

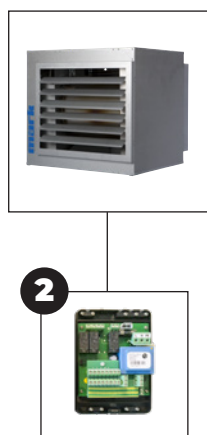
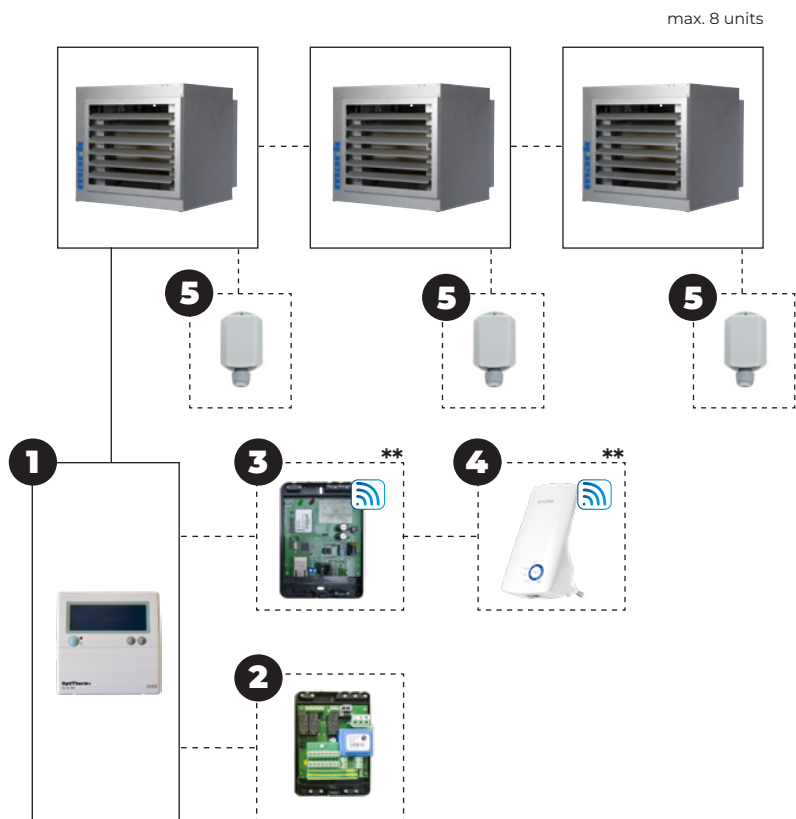
Call: [0845 6880112](tel:08456880112)  
Email: [info@adremit.co.uk](mailto:info@adremit.co.uk)

### Our Address

Puravent, Adremit Limited, Unit 5a, Commercial Yard,  
Settle, North Yorkshire, BD24 9RH



### Controls



#### Control combination options

- Room temperature control**
- GS+ + 1
  - GS+ + 1 + 5

**Room temperature control in combination with remote control**  
 A remote connection with the mobile phone app is only possible when using a Web module. A WiFi bridge can be added to create a wireless connection.

- GS+ + 1 + 3
- GS+ + 1 + 3 + 4
- GS+ + 1 + 5 + 3
- GS+ + 1 + 5 + 3 + 4

**Room temperature control in combination with Modbus**  
 Allows you to read the status and change the settings of the Optitherm+.

- GS+ + 1 + 2 + 5
- GS+ + 1 + 2

**Capacity control with external 0-10V signal or Modbus**  
 Heating / Continuous ventilation / reset contacts / Modbus communication

- GS+ + 2

\*\* Temporarily unavailable

**See price list for description and code numbers of the relevant items**

#### Get In Touch

Call: 0845 6880112  
 Email: [info@adremit.co.uk](mailto:info@adremit.co.uk)

#### Our Address

Puravent, Adremit Limited, Unit 5a, Commercial Yard,  
 Settle, North Yorkshire, BD24 9RH

