



### Technical data

Voltage	U	230/400	V
Phase		3	~
Frequency	f	50	Hz
Speed	n	895	RPM
Power consumption	P <sub>e</sub>	740	W
Nominal current	I <sub>nom</sub>	2.7/1.6	A
Maximum current	I <sub>max</sub>	3.0/1.8	A
Cos φ		0.68	
Capacitor		-	μF/V
Ambient temperature	T <sub>amb min/max</sub>	-25...40	°C
Insulation Class		CL.F	
IP Class		IP55	
Sound pressure level (2 m)	L <sub>p (meas.)</sub>	78	dB(A)
Sound pressure level (7 m)	L <sub>p (calc.)</sub>	67	dB(A)
Weight		64.4	kg

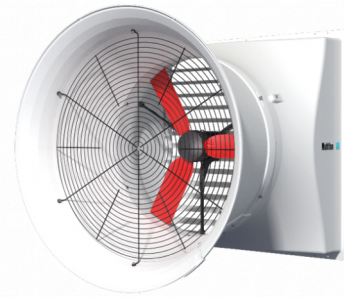
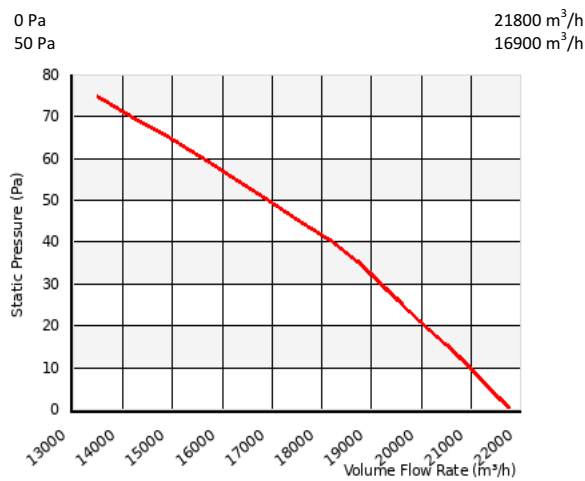
### Fan details

Impeller blades	3
Impeller type	8
Impeller system	G
Impeller material	PG

### Control options

Triac controller	No
Transformer	Yes
Frequency drive	No

### Characteristics



Please note: Picture may deviate from original product

### Approval(s)

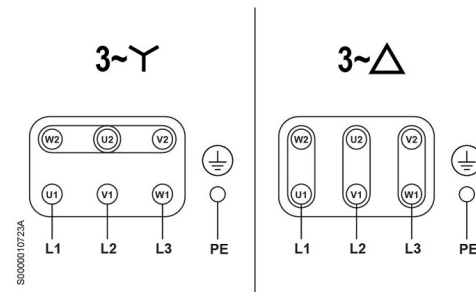


No.13648



### Wiring diagram

BB01 - 3 Phase - Y connection - CCW



Vostermans Ventilation B.V.  
Venlo - The Netherlands  
+31 (0)77 389 32 32  
ventilation@vostermans.com

Vostermans Ventilation Inc.  
Bloomington, IL - U.S.A.  
+1 309 827 9798  
ventilation@vostermansusa.com

Vostermans Ventilation Ltd. Co.  
Shanghai - China  
+86 21 5290 2889/2899  
ventilation@vostermanschina.com

Vostermans Ventilation Sdn. Bhd.  
Tmn Klang Jaya - Malaysia  
+60 (0)33324 3638  
ventilation@vostermansasia.com

### Get In Touch

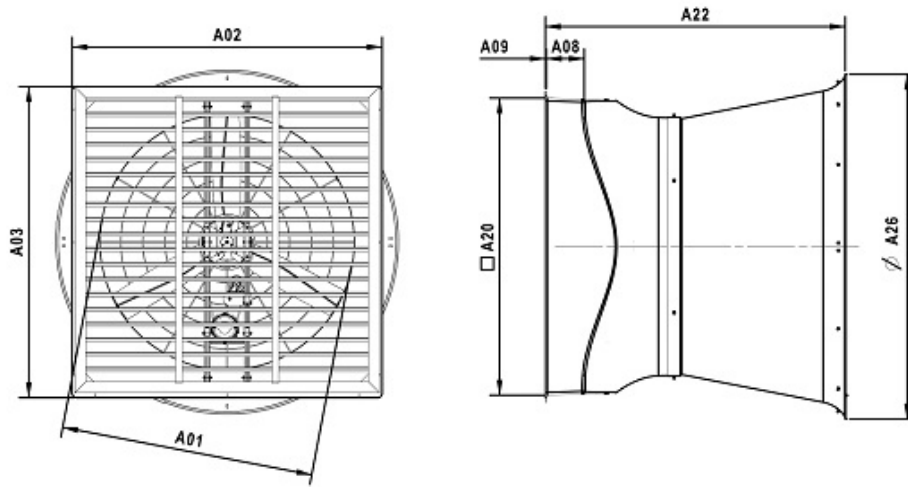
Call: 0845 6880112  
Email: [info@adremit.co.uk](mailto:info@adremit.co.uk)

### Our Address

Puravent, Adremit Limited, Unit 5a, Commercial Yard,  
Settle, North Yorkshire, BD24 9RH



Dimensions



A01:	913 mm
A02:	1246 mm
A03:	1246 mm
A08:	182 mm
A09:	8 mm
A20:	1153 mm
A22:	1236 mm
A26:	1286 mm

Data according to commission Regulation (EU) 327/2011

Axial fan efficiency	$\eta_f$	37.1%
Measurement category		A
Efficiency category		Static
Efficiency grade	N	44
VSD		Not included
Year of manufacturing		
Manufacturer		VOSTERMANS Parlevinkerweg 54 5928 NV Venlo The Netherlands 12021767
Commercial reg. no.		
Model number		C6D92A0M10241
Motor input power	Pe	0.807 kW
Volume flow	Qv	12665 m <sup>3</sup> /h
Pressure difference	psf	85 Pa
Rotational speed	n	868 rpm
Specific ratio		1.01

Data at optimum energy efficiency point

Consult instructions for information regarding installation, disassembly and recycling of this product



**VOSTERMANS**  
VENTILATION

Vostermans Ventilation B.V.  
Venlo - The Netherlands  
+31 (0)77 389 32 32  
ventilation@vostermans.com

Vostermans Ventilation Inc.  
Bloomington, IL - U.S.A.  
+1 309 827 9798  
ventilation@vostermansusa.com

Vostermans Ventilation Ltd. Co.  
Shanghai - China  
+86 21 5290 2889/2899  
ventilation@vostermanschina.com

Vostermans Ventilation Sdn. Bhd.  
Tmn Klang Jaya - Malaysia  
+60 (0)33324 3638  
ventilation@vostermansasia.com

Get In Touch

Call: 0845 6880112  
Email: [info@adremit.co.uk](mailto:info@adremit.co.uk)

Our Address

Puravent, Adremit Limited, Unit 5a, Commercial Yard,  
Settle, North Yorkshire, BD24 9RH