

Thermowarm TWT/TWTC

Easily positioned convector for technical heat

Thermowarm TWT is a series of easily installed convectors designed for heating installations of a more technical nature such as offshore, service areas, utility rooms and vehicles. TWTC can also be used in corrosive and aggressive environments.

Thermowarm is easy to position and has, despite its small size, a high heat output.

Product specifications

- Thermowarm TWT is available in following designs:
 - **TWT100**: white front, RAL 9016, NCS S 0500-N, and grey sides. Equipped with power switch. IP44.
 - **TWTC**: stainless steel design and black sides. Equipped with mains cord and plug. Concealed temperature setting. IP54.
- For offshore and other installations not covered by the Ecodesign Regulation*
- With ribbed flanges and tubular elements.
- Resettable overheating protection.
- Integrated thermostat with setting range 0 – +35 °C.
- Ends of impact resistant thermoplastic.

Thermowarm TWT100. White front, with switch. (IP44)

Item no	Type	Output [W]	Voltage [V]	HxWxD [mm]	Weight [kg]
6982	TWT10521	500	230V~	465x205x123	2,0
6987	TWT11021	1000	230V~	765x205x123	3,0

Thermowarm TWTC. Front in stainless steel, with cable and plug. (IP54)

Item no	Type	Output [W]	Voltage [V]	HxWxD [mm]	Weight [kg]
11396	TWTC30521	500	230V~	465x205x123	2,0
11398	TWTC31021	1000	230V~	765x205x123	3,0

Ecodesign Regulation (EU) 2015/1188 concerning local space heaters does not apply to all application areas.

The Regulation applies when an installation is intended to provide thermal comfort for people in the premises. The Regulation does not apply to heating installations of a more technical nature e.g. in engineering/utility rooms, in production processes, frost protection, etc. The Regulation also does not apply to installations in vehicles, offshore or outdoors.

Design and specifications are subject to change without notice.

2020-05-13

Get In Touch

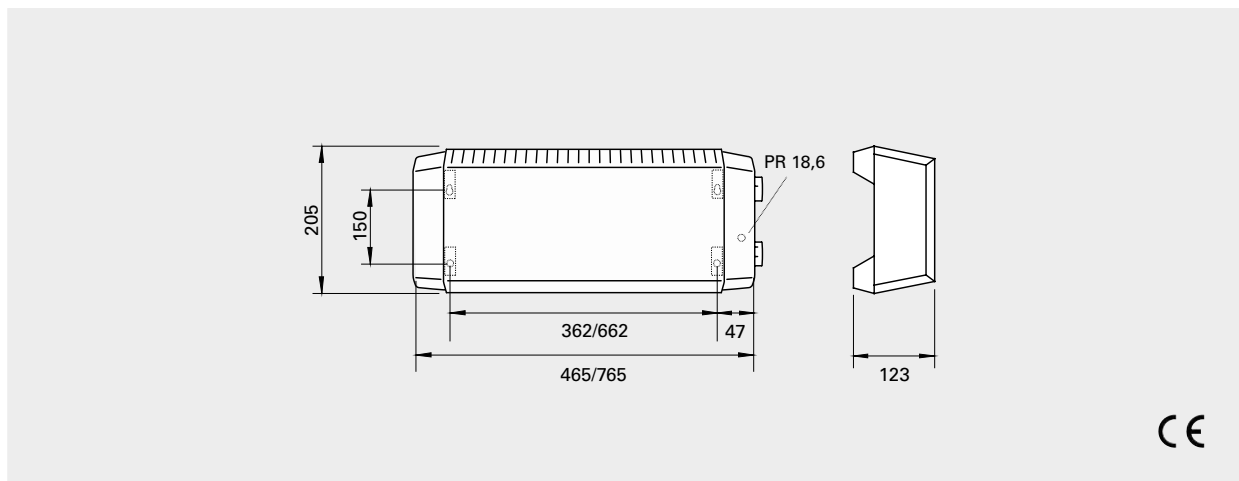
Call: [0845 6880112](tel:08456880112)
 Email: info@adremit.co.uk

Our Address

Puravent, Adremit Limited, Unit 5a, Commercial Yard, Settle, North Yorkshire, BD24 9RH



Dimensions



Mounting

Thermowarm is mounted on a wall. For minimum dimensions with permanent installation, see diagram.

Electrical installation

TWT100 is designed for permanent installation. TWT100 is equipped with a cord and plug for connection to earthed outlet sockets.

Control

Thermowarm features an integrated thermostat with setting range 0 – +35 °C. On TWT100 the thermostat is concealed to make it difficult for unauthorised persons to change the temperature setting. TWT100 has a circuit breaker.

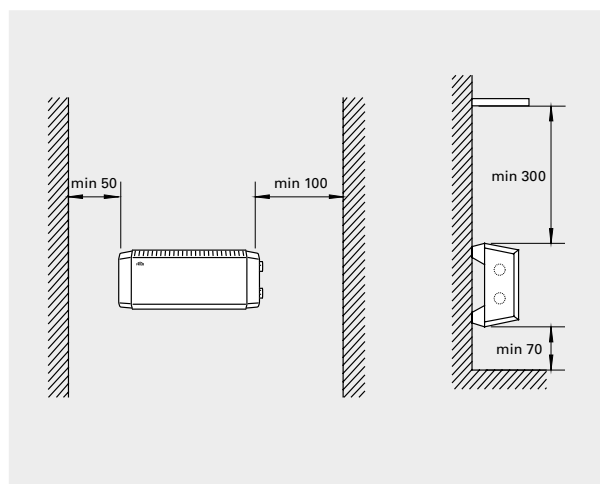


Fig. 1: Minimum distance for fixed installation.



The small size and effortless installation make Thermowarm easy to position even in confined areas such as a control cabin.



In the stainless steel design Thermowarm withstands corrosive environments.

Get In Touch

 Call: [0845 6880112](tel:08456880112)
 Email: info@adremit.co.uk

Our Address

Puravent, Adremit Limited, Unit 5a, Commercial Yard, Settle, North Yorkshire, BD24 9RH