



HIGH VELOCITY 230V WITH CORDLESS OPTION DRUM FAN 16"

MODEL NO: **HVD16C**

Thank you for purchasing a Sealey product. Manufactured to a high standard, this product will, if used according to these instructions, and properly maintained, give you years of trouble free performance.

IMPORTANT: PLEASE READ THESE INSTRUCTIONS CAREFULLY. NOTE THE SAFE OPERATIONAL REQUIREMENTS, WARNINGS & CAUTIONS. USE THE PRODUCT CORRECTLY AND WITH CARE FOR THE PURPOSE FOR WHICH IT IS INTENDED. FAILURE TO DO SO MAY CAUSE DAMAGE AND/OR PERSONAL INJURY AND WILL INVALIDATE THE WARRANTY. KEEP THESE INSTRUCTIONS SAFE FOR FUTURE USE.



Refer to
instructions



Indoor Use
Only



Do not
cover

1. SAFETY

1.1. ELECTRICAL SAFETY

- WARNING!** It is the user's responsibility to check the following:
Check all electrical equipment and appliances to ensure that they are safe before using. Inspect power supply leads, plugs and all electrical connections for wear and damage. Sealey recommend that an RCD (Residual Current Device) is used with all electrical products. If the product is used in the course of business duties, it must be maintained in a safe condition and routinely PAT (Portable Appliance Test) tested.

ELECTRICAL SAFETY INFORMATION: it is important that the following information is read and understood.

- 1.1.1. Ensure that the insulation on all cables and on the appliance is safe before connecting it to the power supply.
- 1.1.2. Regularly inspect power supply cables and plugs for wear or damage and check all connections to ensure that they are secure.

1.2. GENERAL SAFETY

- ✓ Disconnect the fan from the mains power when not in use and before servicing or performing any maintenance.
- ✓ Use the fan in dry areas only. **DO NOT** use in wet or areas with high condensation such as showers, pools etc.
- WARNING!** If the fan falls into water or any other liquid, immediately switch off and disconnect from the power supply. **DO NOT** touch the fan until the power supply has been disconnected.
- ✓ Always disconnect the fan from power supply if moving from one location to another and ensure fan is stood on a level surface.
- ✓ The fan air flow is powerful. Before use ensure that there is nothing nearby that will be damaged or displaced by the stream of air.
- ✓ Keep the fan clean and maintained in good condition.
- ✓ Ensure battery is inserted with polarity correct.
- ✓ Only use designated battery packs.
- × **DO NOT** operate the fan where there are explosive or flammable gases, fumes or other hazardous substances.
- × **DO NOT** stand the fan on the power cable.
- × **DO NOT** operate fan without grill in place.
- × **DO NOT** handle power adaptor with wet hands.
- × **DO NOT** insert any objects through the fan guard.
- × **DO NOT** pull the power adaptor plug from the mains socket by the lead.
- × **DO NOT** get the power adaptor wet, or use in wet, damp conditions (for indoor use only).
- × **DO NOT** cover the fan when in use.
- × **DO NOT** immerse the fan in water or any other liquid.
- × **DO NOT** allow children to operate the fan.
- × **DO NOT** stand the fan where it may be knocked over or off a surface, or where the lead may cause a person to trip.
- × **DO NOT** use the fan outdoors.
- × **DO NOT** modify speed control or attempt to fit any additional external speed control device to the fan.
- × **DO NOT** try to take the power adaptor plug apart.
- × **DO NOT** allow supply terminals to be short-circuited.
- × **DO NOT** use power adaptor for any other product.
- × **DO NOT** place fan or batteries near fire or heat.
- ✓ When not in use place the fan in original box, or otherwise cover to protect from dust and store in a safe, dry, childproof location.
- ✓ If fan is to be stored or unused for a long period remove the battery.
- WARNING! DO NOT** use any other type of power adaptor with this product than the supplied power adaptor. Failure to observe this warning could result in injury and or fire and will invalidate the warranty.
- WARNING!** Remove battery pack from appliance while being charged.

This appliance can be used by children aged from 8 years and above and persons with reduced physical, sensory or mental capabilities or lack of experience and knowledge if they have been given supervision or instruction concerning use of the appliance in a safe way and understand the hazards involved. Children shall not play with the appliance. Cleaning and user maintenance shall not be made by children without supervision.

Get In Touch

Call: 0845 6880112
 Email: info@adremit.co.uk

Our Address

Puravent, Adremit Limited, Unit 5a, Commercial Yard,
Settle, North Yorkshire, BD24 9RH

2. INTRODUCTION

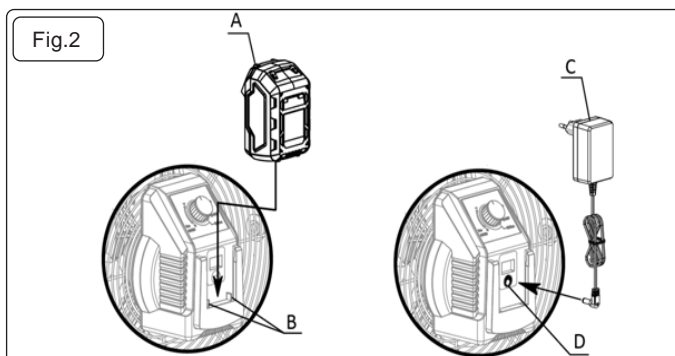
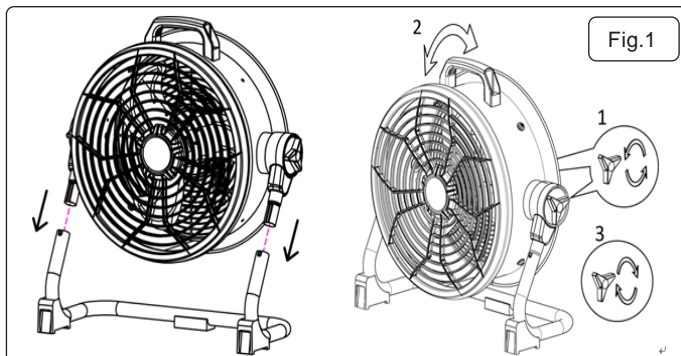
High velocity continuous variable speed drum fan able to move high volumes of air. Mains operated with option of increased versatility by purchasing 20V battery and charger, sold separately. 230V mains lead/transformer included. 360° tilt allows control of airflow to exactly where it is needed; fitted with rubber feet for extra stability. Carefully balanced and fully guarded aluminium blades provide a quiet and safe operation. Lightweight and robust unit with a carry handle for easy transportation. Suitable for use in industrial, commercial, agricultural, automotive workshop, showroom and home applications. Part of the SV20 series - Offering a one battery fits all solution. For 20V operation order a 2Ah, 4Ah or 6Ah 20V battery and charger; model numbers are CP20VBP, CP20VBP4, CP20VBP6 and CP20VMC. Up to 5hrs on one 6Ah battery.

3. SPECIFICATION

Model No:..... **HVD16C**
 Current:..... 1.2A
 Fan diameter:..... 16"
 Maximum Airflow:..... 46.7m³/min(1650cfm)
 Power Supply Cable Length:..... 1.8m
 Power:..... 24W
 Speed Range:..... 580-1470rpm
 Speeds:..... 1, Continuous Variable Speed
 Supply:..... 20V / 230V

Maximum Fan Flow Rate (F):	48.5m ³ /min
Fan Power Input (P):	22.8W
Service Value (SV):	2.1 (m ³ /min)/W
Standby Power Consumption (Psb):	0.3W
Seasonal Electricity Consumption (Q):	7.6kWh/a
Fan Sound Power Level (Lwa):	68dB(A)
Maximum Air Velocity (c):	3.4m/s

4. ASSEMBLY



- 4.1. Assemble fan as shown in fig.1. To tighten fan at an angle use thumb wheels (fig.1.1, fig.1.3).
- 4.2. Connect battery to unit (fig.2.A). See safety section for guidance. Note supply terminals (fig.2.B). Polarity is marked on the body.
- 4.3. When using the mains supply, see safety section for guidance. Insert power supply cable to port on appliance (fig.2.D).

5. OPERATION

- ❑ **WARNING!** Ensure that you read, understand and apply safety instructions in Section 1 before using fan.
- 5.1. Check that the speed control is set to OFF and then plug into power supply or fit battery (fig.2) and switch the power on.
 - 5.2. To adjust the fan speed use the control knob on the Power Adaptor (fig.3)
 - 5.3. Adjust the direction of the air flow by moving from side to side and tilting the fan up or down as required (fig.1).
 - 5.4. Turn the speed control switch to OFF and disconnect the fan from mains power or remove battery pack after use (fig.2, fig.3).

6. MAINTENANCE

- ❑ **WARNING! Ensure that the fan is disconnected from the mains power supply before attempting any of the following:**
- 6.1. Use a soft, damp cloth to clean the fan.
 - ✗ **DO NOT** immerse the fan in water and never allow water to drip onto the motor housing. **DO NOT** use solvents, petroleum, paint thinner or other chemicals to clean the fan.
 - 6.2. To clean the fan blade, undo the cross headed screws around the circumference, remove the grille and clean the blade with a slightly damp cloth. Replace the grille as required and refit the cross headed screws.
 - 6.3. Should the motor, switch or the power lead require service or maintenance contact your local Sealey stockist.



Get In Touch

Call: 0845 6880112
 Email: info@adremit.co.uk

Our Address

Puravent, Adremit Limited, Unit 5a, Commercial Yard,
 Settle, North Yorkshire, BD24 9RH

**ENVIRONMENT PROTECTION**

Recycle unwanted materials instead of disposing of them as waste. All tools, accessories and packaging should be sorted, taken to a recycling centre and disposed of in a manner which is compatible with the environment. When the product becomes completely unserviceable and requires disposal, drain any fluids (if applicable) into approved containers and dispose of the product and fluids according to local regulations.

**WEEE REGULATIONS**

Dispose of this product at the end of its working life in compliance with the EU Directive on Waste Electrical and Electronic Equipment (WEEE). When the product is no longer required, it must be disposed of in an environmentally protective way. Contact your local solid waste authority for recycling information.

Note: It is our policy to continually improve products and as such we reserve the right to alter data, specifications and component parts without prior notice.

Important: No Liability is accepted for incorrect use of this product.

Warranty: Guarantee is 12 months from purchase date, proof of which is required for any claim.

Sealey Group, Kempson Way, Suffolk Business Park, Bury St Edmunds, Suffolk. IP32 7AR

01284 757500

sales@sealey.co.uk

www.sealey.co.uk

Get In Touch

Call: 0845 6880112
Email: info@adremit.co.uk

Our Address

Puravent, Adremit Limited, Unit 5a, Commercial Yard,
 Settle, North Yorkshire, BD24 9RH