



Technical data

Voltage	U	230	V
Phase		1	~
Frequency	f	50	Hz
Speed	n	505	RPM
Power consumption	P _e	1100	W
Nominal current	I _{nom}	5.3	A
Maximum current	I _{max}	6.3	A
Cos φ		0.91	
Capacitor		24/400	μF/V
Service factor current		6.3	A
Ambient temperature	T _{amb min/max}	-25...40	°C
Insulation Class		CL.F	
IP Class Fan		IP55	
Sound pressure level (2 m)	L _{p (meas.)}	61	db(A)
Sound pressure level (7 m)	L _{p (calc.)}	50	db(A)
Weight		42.1	kg
Packing dimensions		561.5x1000x1000	mm

Fan details

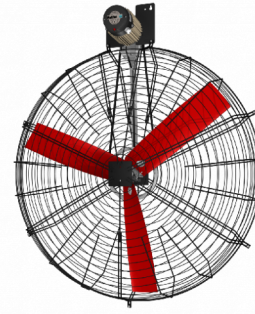
Impeller blades	3
Impeller type	10
Impeller system	N
Impeller material	PG

Control options

Triac controller	No
Transformer	No
Frequency drive	No
Intelligent Fan Drive	No

Characteristics

0 Pa	46300 m ³ /h
------	-------------------------

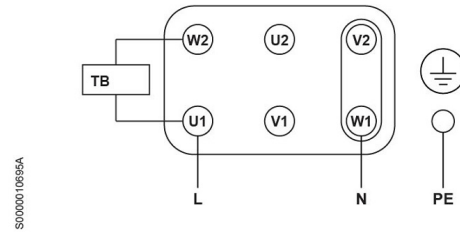


Please note: Picture may deviate from original product

Approval(s)

Wiring diagram

BA02 - 1 Phase - Standard - CW



Vostermans Ventilation B.V.
Venlo - The Netherlands
+31 (0)77 389 32 32
ventilation@vostermans.com

Vostermans Ventilation Inc.
Bloomington, IL - U.S.A.
+1 309 827 9798
ventilation@vostermansusa.com

Vostermans Ventilation Ltd. Co.
Shanghai - China
+86 21 5290 2889/2899
ventilation@vostermanschina.com

Vostermans Ventilation Sdn. Bhd.
Tmn Klang Jaya - Malaysia
+60 (0)33324 3638
ventilation@vostermansasia.com

Get In Touch

Call: 0845 6880112
Email: info@adremit.co.uk

Our Address

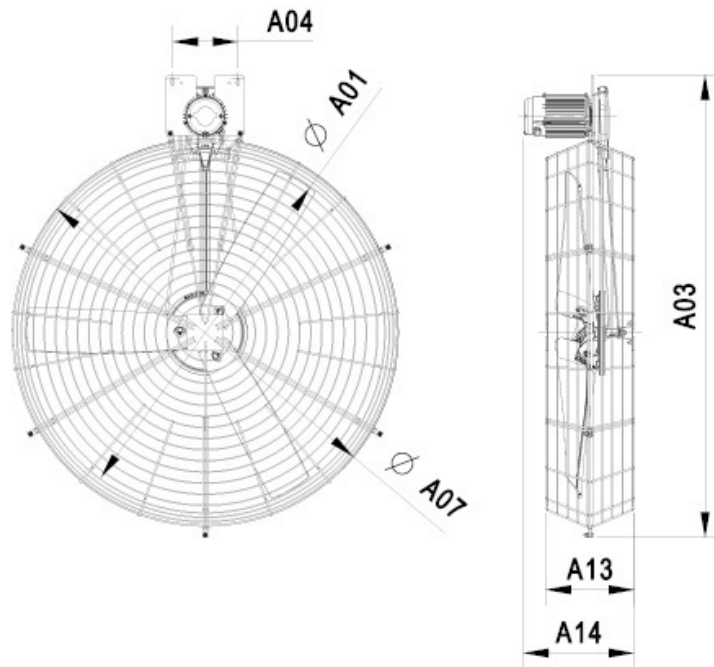
Puravent, Adremit Limited, Unit 5a, Commercial Yard,
Settle, North Yorkshire, BD24 9RH



Article number: K4E13A0M11100

Basket fans

Dimensions



A01:	1284 mm
A03:	1662 mm
A04:	236 mm
A07:	1390 mm
A13:	320 mm
A14:	400 mm



VOSTERMANS
VENTILATION

Vostermans Ventilation B.V.
Venlo - The Netherlands
+31 (0)77 389 32 32
ventilation@vostermans.com


Vostermans Ventilation Inc.
Bloomington, IL - U.S.A.
+1 309 827 9798
ventilation@vostermansusa.com

Vostermans Ventilation Ltd. Co.
Shanghai - China
+86 21 5290 2889/2899
ventilation@vostermanschina.com

Vostermans Ventilation Sdn. Bhd.
Tmn Klang Jaya - Malaysia
+60 (0)33324 3638
ventilation@vostermansasia.com

Version 3.0 28Mar/2024

Get In Touch

 Call: [0845 6880112](tel:08456880112)
 Email: info@adremit.co.uk

Our Address

Puravent, Adremit Limited, Unit 5a, Commercial Yard,
Settle, North Yorkshire, BD24 9RH