



### Technical data

Voltage	U	230	V
Phase		1	~
Frequency	f	50	Hz
Speed	n	1420	RPM
Power consumption	P <sub>e</sub>	260	W
Nominal current	I <sub>nom</sub>	1.2	A
Maximum current	I <sub>max</sub>	1.8	A
Cos φ		1	
Capacitor		05/400	μF/V
Service factor current		1.8	A
Ambient temperature	T <sub>amb min/max</sub>	-25...40	°C
Insulation Class		CL.F	
IP Class Fan		IP55	
Sound pressure level (2 m)	L <sub>p (meas.)</sub>	64	dB(A)
Sound pressure level (7 m)	L <sub>p (calc.)</sub>	53	dB(A)
Weight		11.2	kg
Packing dimensions		635x635x360	mm

### Fan details

Impeller blades	3
Impeller type	C
Impeller system	PP
Impeller material	

### Control options

Triac controller	Yes
Transformer	Yes
Frequency drive	No
Intelligent Fan Drive	Yes

### Characteristics

0 Pa	5050 m <sup>3</sup> /h
------	------------------------



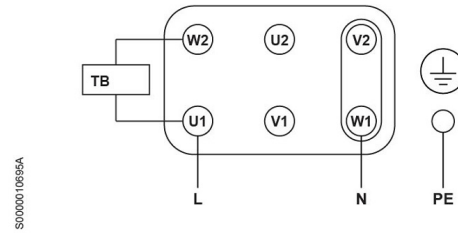
Please note: Picture may deviate from original product

### Approval(s)



### Wiring diagram

BA01 - 1 Phase - Standard - CCW



Vostermans Ventilation B.V.  
Venlo - The Netherlands  
+31 (0)77 389 32 32  
ventilation@vostermans.com

Vostermans Ventilation Inc.  
Bloomington, IL - U.S.A.  
+1 309 827 9798  
ventilation@vostermansusa.com

Vostermans Ventilation Ltd. Co.  
Shanghai - China  
+86 21 5290 2889/2899  
ventilation@vostermanschina.com

Vostermans Ventilation Sdn. Bhd.  
Tmn Klang Jaya - Malaysia  
+60 (0)33324 3638  
ventilation@vostermansasia.com

### Get In Touch

Call: 0845 6880112  
Email: [info@adremit.co.uk](mailto:info@adremit.co.uk)

### Our Address

Puravent, Adremit Limited, Unit 5a, Commercial Yard,  
Settle, North Yorkshire, BD24 9RH

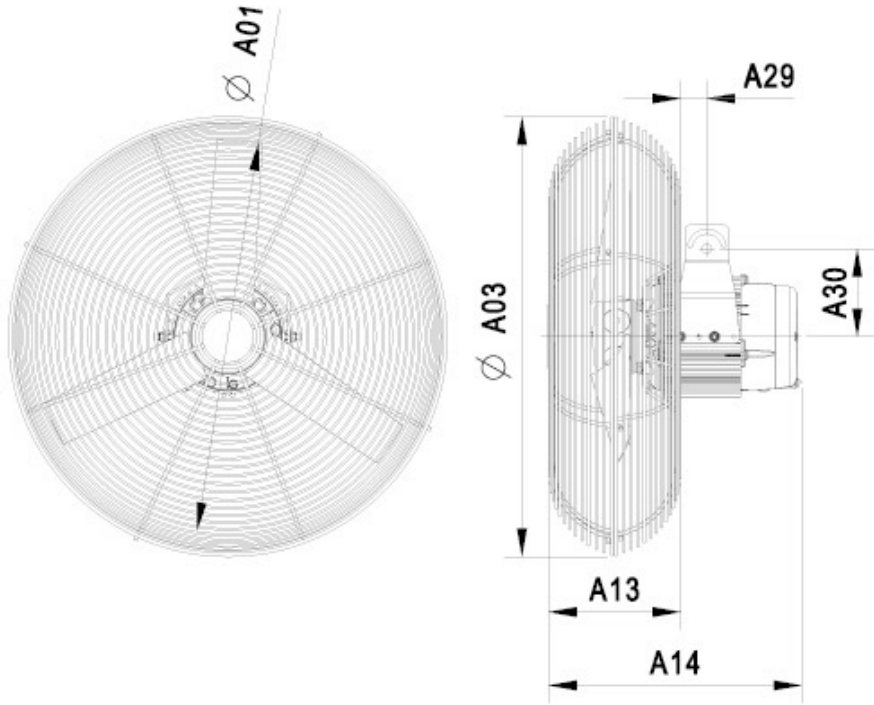


Article number: K4E50AAU11100

Basket fans

### Dimensions

A01:	512 mm
A03:	575 mm
A13:	174 mm
A14:	332 mm
A29:	34 mm
A30:	115 mm



**VOSTERMANS**  
VENTILATION

Vostermans Ventilation B.V.  
Venlo - The Netherlands  
+31 (0)77 389 32 32  
ventilation@vostermans.com

Vostermans Ventilation Inc.  
Bloomington, IL - U.S.A.  
+1 309 827 9798  
ventilation@vostermansusa.com

Vostermans Ventilation Ltd. Co.  
Shanghai - China  
+86 21 5290 2889/2899  
ventilation@vostermanschina.com

Vostermans Ventilation Sdn. Bhd.  
Tmn Klang Jaya - Malaysia  
+60 (0)33324 3638  
ventilation@vostermansasia.com

Version 3.0 28Mar/2024

### Get In Touch

 Call: [0845 6880112](tel:08456880112)  
 Email: [info@adremit.co.uk](mailto:info@adremit.co.uk)

### Our Address

Puravent, Adremit Limited, Unit 5a, Commercial Yard,  
Settle, North Yorkshire, BD24 9RH

