



Technical data

Voltage	U	230	V
Phase		1	~
Frequency	f	50	Hz
Speed	n	905	RPM
Power consumption	P _e	420	W
Nominal current	I _{nom}	2.1	A
Maximum current	I _{max}	2.9	A
Cos φ		0.85	
Capacitor		10/400	μF/V
Service factor current		2.9	A
Ambient temperature	T _{amb min/max}	-25...40	°C
Insulation Class		CL.F	
IP Class Fan		IP55	
Weight		19.4	kg
Packing dimensions		720x720x400	mm

Fan details

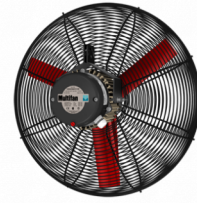
Impeller blades	3
Impeller type	5
Impeller system	G
Impeller material	PG

Control options

Triac controller	Yes
Transformer	Yes
Frequency drive	No
Intelligent Fan Drive	Yes

Characteristics

0 Pa	9350 m ³ /h
------	------------------------

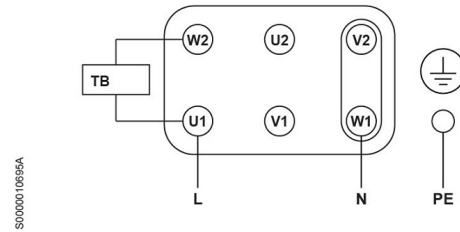


Please note: Picture may deviate from original product

Approval(s)

Wiring diagram

BA11 - 1 Phase - Standard Dual High Voltage ST061816 - CCW



Vostermans Ventilation B.V.
Venlo - The Netherlands
+31 (0)77 389 32 32
ventilation@vostermans.com

Vostermans Ventilation Inc.
Bloomington, IL - U.S.A.
+1 309 827 9798
ventilation@vostermansusa.com

Vostermans Ventilation Ltd. Co.
Shanghai - China
+86 21 5290 2889/2899
ventilation@vostermanschina.com

Vostermans Ventilation Sdn. Bhd.
Tmn Klang Jaya - Malaysia
+60 (0)33324 3638
ventilation@vostermansasia.com

Get In Touch

Call: 0845 6880112
Email: info@adremit.co.uk

Our Address

Puravent, Adremit Limited, Unit 5a, Commercial Yard,
Settle, North Yorkshire, BD24 9RH

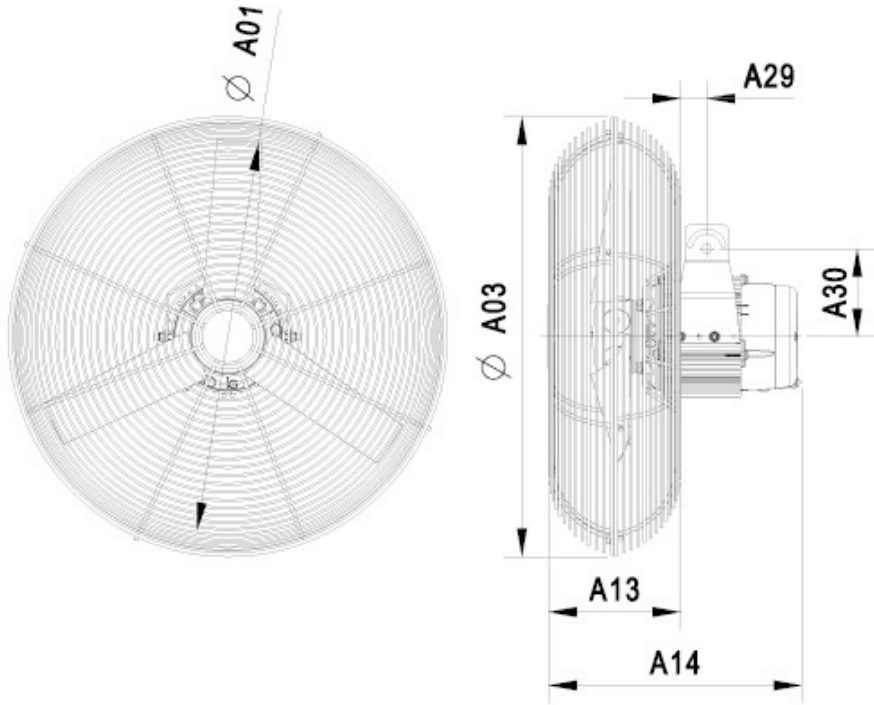


Article number: K6E6320M11100

Basket fans

Dimensions

A01:	610 mm
A03:	683 mm
A13:	206 mm
A14:	350 mm
A29:	32 mm
A30:	115 mm



VOSTERMANS
VENTILATION

Vostermans Ventilation B.V.
Venlo - The Netherlands
+31 (0)77 389 32 32
ventilation@vostermans.com

Vostermans Ventilation Inc.
Bloomington, IL - U.S.A.
+1 309 827 9798
ventilation@vostermansusa.com

Vostermans Ventilation Ltd. Co.
Shanghai - China
+86 21 5290 2889/2899
ventilation@vostermanschina.com

Vostermans Ventilation Sdn. Bhd.
Tmn Klang Jaya - Malaysia
+60 (0)33324 3638
ventilation@vostermansasia.com

Version 3.0 28Mar/2024

Get In Touch

 Call: [0845 6880112](tel:08456880112)
 Email: info@adremit.co.uk

Our Address

Puravent, Adremit Limited, Unit 5a, Commercial Yard,
Settle, North Yorkshire, BD24 9RH