



## KD 200 L1\*\*

Item no. 25332

Version: 50 Hz

Document type: **Product card**

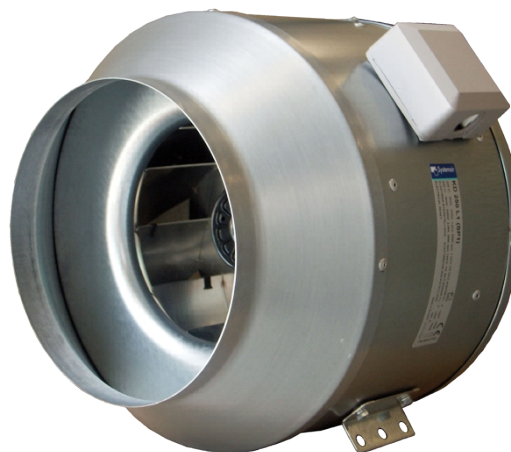
Document date: **2019-07-16**

Generated by: **Systemair Online Catalogue**

### Description

- High efficiency – low noise
- Speed-controllable
- Integral thermal contacts
- Can be installed in any position
- Maintenance-free and reliable

The KD series have external rotor motors with a new type of mixed flow impeller which reduces the external dimensions of the fans. These fans have a high capacity in relation to their compact design. Brackets are supplied with the fans to make installation easier. The FK mounting clamp facilitates easy installation and removal and prevents the transfer of vibrations to the duct. To protect the motor from overheating the fan has integral thermal contacts with electrical reset. The casing is manufactured from galvanised sheet steel.



### Technical parameters

Nominal data		
Voltage	230	V
Frequency	50	Hz
Phase	1	~
Input power (P1)	257	W
Current	1,14	A
Max. airflow	0,368	m³/s
R.p.m.	2562	r.p.m.
Capacitor	6	µF
Weight	6,8	kg
Temperature data		
Max. temperature of transported air	55,1	°C
Max. temperature of transported air when speed-controlled	45,9	°C
Sound data		
Sound pressure level at 3 m	52,9	dB(A)
Protection / Classification		
Insulation class	F	
Enclosure class, motor	IP44	

#### Get In Touch

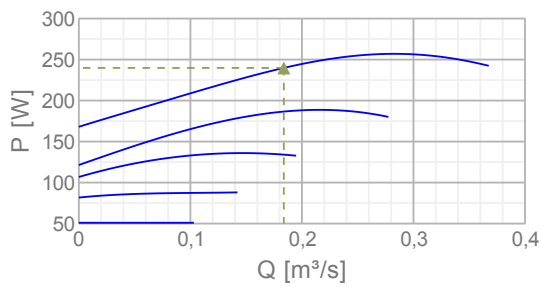
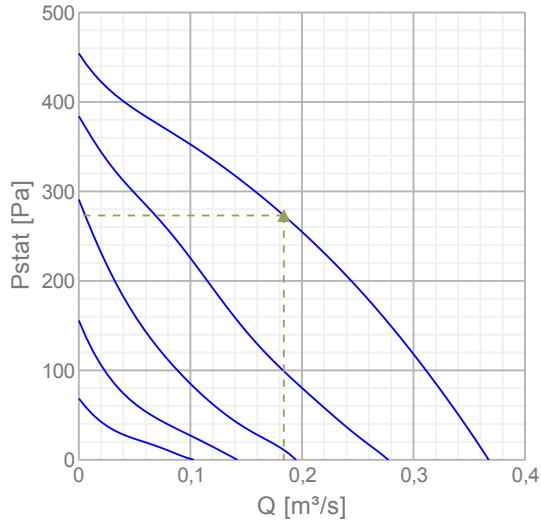
Call: [0845 6880112](tel:08456880112)  
 Email: [info@adremit.co.uk](mailto:info@adremit.co.uk)

#### Our Address

Puravent, Adremit Limited, Unit 5a, Commercial Yard,  
 Settle, North Yorkshire, BD24 9RH

## Diagrams

### Diagrams



### Max efficiency

Hydraulic data										
▲ Working air flow	0,184 m³/s									
▲ Working static pressure	273 Pa									
▲ Power	240 W									
Speed	2611 r.p.m.									
Current	1,07 A									
SFP	1,31 W/(l/s)									
Voltage	230 V									
Sound power level		63	125	250	500	1k	2k	4k	8k	Tot
Inlet	dB(A)	60	70	71	75	71	64	64	57	79
Outlet	dB(A)	57	71	75	76	77	78	76	73	84
Surrounding	dB(A)	27	28	46	55	56	53	48	39	60

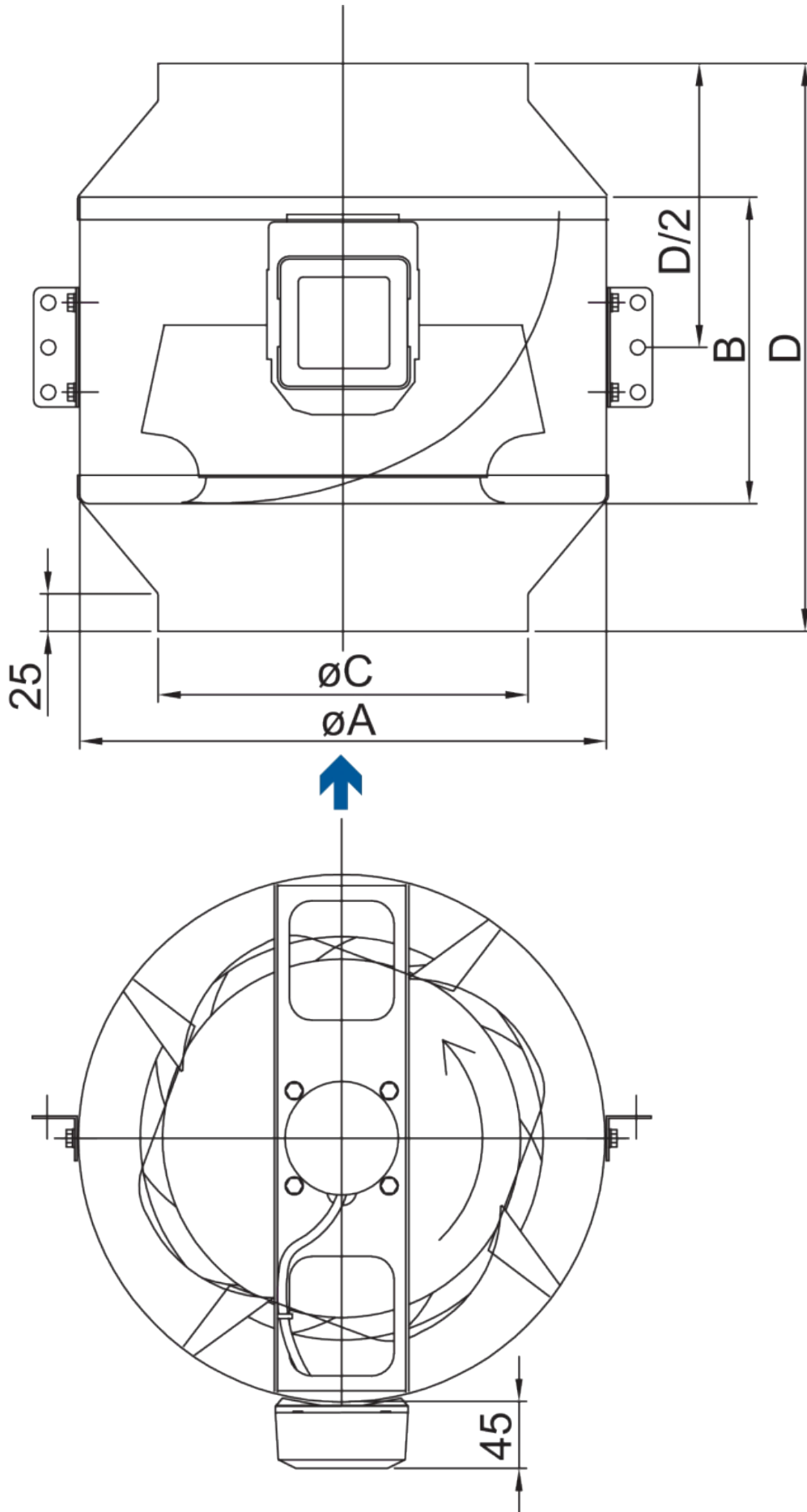
### Get In Touch

 **Call:** [0845 6880112](tel:08456880112)  
 **Email:** [info@adremit.co.uk](mailto:info@adremit.co.uk)

### Our Address

Puravent, Adremit Limited, Unit 5a, Commercial Yard, Settle, North Yorkshire, BD24 9RH

## Dimensions



Name: **KD 200 L1\*\*** | Item no.: **25332** | Version: **50 Hz**

Document type: **Product card** | Document date: **2019-07-16** | Generated by: **Online catalogue**

3 / 5

### Get In Touch



Call: [0845 6880112](tel:08456880112)



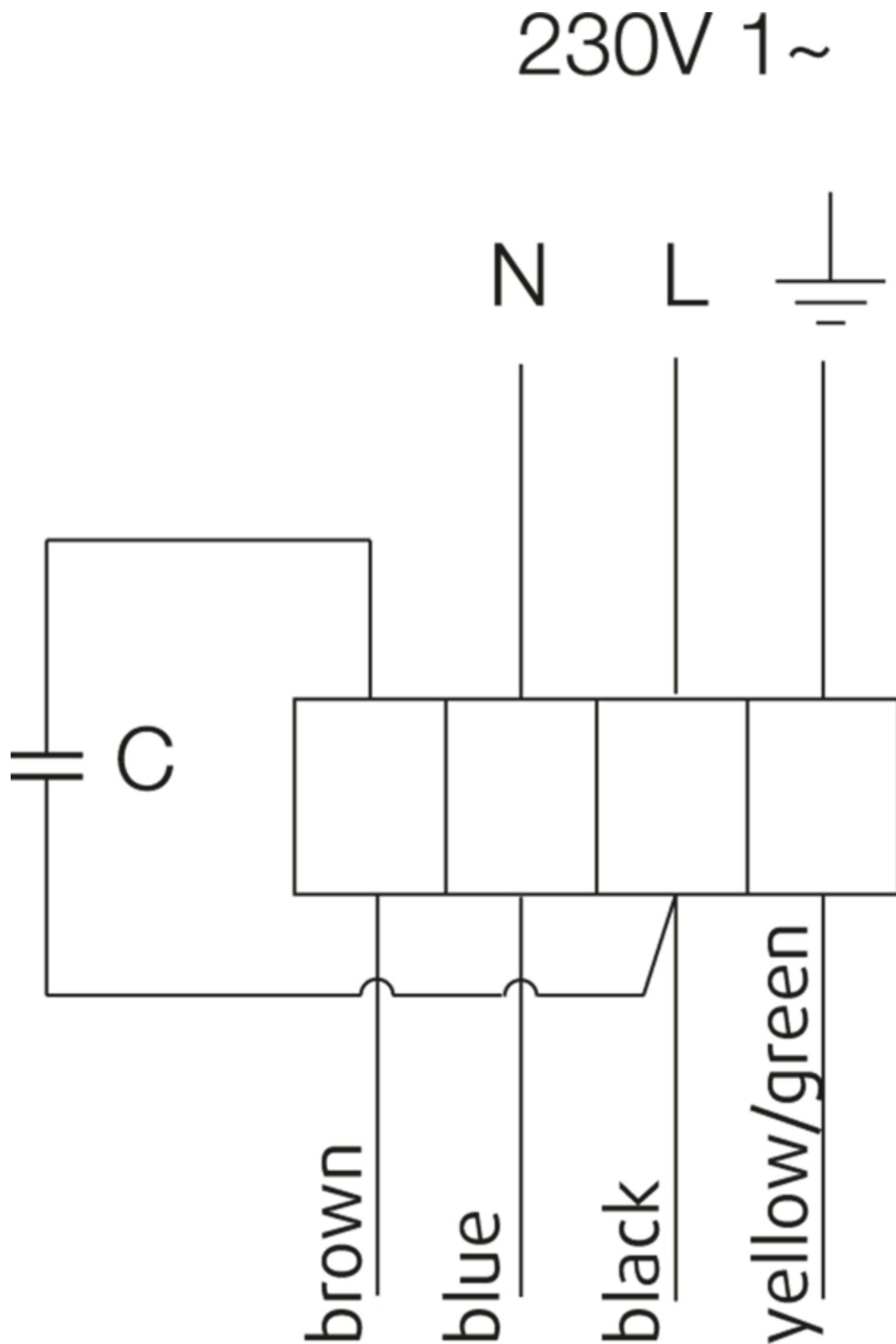
Email: [info@adremit.co.uk](mailto:info@adremit.co.uk)

### Our Address

Puravent, Adremit Limited, Unit 5a, Commercial Yard,  
Settle, North Yorkshire, BD24 9RH

	øA	B	øC	D	D/2
KD 200 L	313	180	198	380	190
KD 250 M	313	180	248	310	155
KD 250 L	353	205	248	385	192,5

## Wiring



Name: **KD 200 L1\*\*** | Item no.: **25332** | Version: **50 Hz**

4 / 5

Document type: **Product card** | Document date: **2019-07-16** | Generated by: **Online catalogue**

### Get In Touch

**Call:** [0845 6880112](tel:08456880112)  
**Email:** [info@adremit.co.uk](mailto:info@adremit.co.uk)

### Our Address

Puravent, Adremit Limited, Unit 5a, Commercial Yard,  
 Settle, North Yorkshire, BD24 9RH

U1 = blue = blau  
U2 = black = schwarz  
Z = brown = braun  
PE = yellow/green = grün-gelb

## Accessories

### Electric accessories

[RE 1.5 Speed control \(5000\)](#)  
[REU 1.5 Speed control \(5004\)](#)  
[REE 2 Speed control \(5316\)](#)  
[REPT 6 Digital regulator \(5698\)](#)  
[RT 0-30 Room Thermostat \(5151\)](#)  
[CO2RT-R-D Transmitter \(6993\)](#)  
[Presence detector/IR24-P \(6995\)](#)  
[STL 1.5 Speed controller \(84251\)](#)  
[REV-3POL/03 ON/OFF \(33978\)](#)  
[FRQS-E-6A \(37419\)](#)  
[FRQ5S-E-6A \(37421\)](#)  
[DTV500A \(96807\)](#)

### Accessories



[CB 200-3,0 230V/1 Duct heater \(5370\)](#)  
[CB 200-2,1 230V/1 Duct heater \(5384\)](#)  
[CBM 200-5,0 400V/2 Duct heater \(5483\)](#)  
[VBF 200 Water heating battery \(1732\)](#)  
[CWK 200-3-2,5 Duct cooler,circ \(30023\)](#)  
[VBC 200-2 Water heating batt \(5459\)](#)  
[LDC 200-600 Silencer \(5194\)](#)  
[LDC 200-900 Silencer \(5195\)](#)  
[FFR 200 Filter cassette \(1773\)](#)  
[FGR 200 Filter cassette \(1812\)](#)  
[FK 200 Fast clamp \(1611\)](#)  
[VKK-200 Back draft damper \(1626\)](#)  
[IGK-200 Wall Grid \(1633\)](#)  
[RSK-200 Back draft damper \(5602\)](#)  
[SG 200 Protection guard \(5609\)](#)  
[VK-20 Louvre shutter \(5639\)](#)  
[VBC 200-3 Water heating batt \(9841\)](#)  
[LDC 200-300 Silencer \(53369\)](#)  
[THB 200 Hood w.cover pl. black \(134465\)](#)  
[CB 200/S1/3,0KW 400V/2Duct hea \(5294\)](#)  
[CB 200-5,0 400V/2 Duct heater \(5371\)](#)

## Documentation



[132780\\_Fans\\_Instructions\\_Outside\\_EU\\_A002.pdf \(1 006,63kB\)](#)

### Get In Touch

 **Call:** [0845 6880112](tel:08456880112)  
 **Email:** [info@adremit.co.uk](mailto:info@adremit.co.uk)

### Our Address

Puravent, Adremit Limited, Unit 5a, Commercial Yard,  
Settle, North Yorkshire, BD24 9RH