



## KD 315 M1\*\*

Item no. 25335

Document type: **Product card**  
 Document date: **2019-07-16**  
 Generated by: **Systemair Online Catalogue**

### Description

- High efficiency – low noise
- Speed-controllable
- Integral thermal contacts
- Can be installed in any position
- Maintenance-free and reliable

The KD series have external rotor motors with a new type of mixed flow impeller which reduces the external dimensions of the fans. These fans have a high capacity in relation to their compact design. Brackets are supplied with the fans to make installation easier. The FK mounting clamp facilitates easy installation and removal and prevents the transfer of vibrations to the duct. To protect the motor from overheating the fan has integral thermal contacts with electrical reset. The casing is manufactured from galvanised sheet steel.



### Technical parameters

Nominal data		
Voltage	230	V
Frequency	50	Hz
Phase	1	~
Input power (P1)	252	W
Current	1,12	A
Max. airflow	0,393	m³/s
R.p.m.	2573	r.p.m.
Capacitor	6	µF
Weight	5,5	kg
Temperature data		
Max. temperature of transported air	55,1	°C
Max. temperature of transported air when speed-controlled	45,9	°C
Sound data		
Sound pressure level at 3 m	58,6	dB(A)
Protection / Classification		
Insulation class		F
Enclosure class, motor		IP44

#### Get In Touch

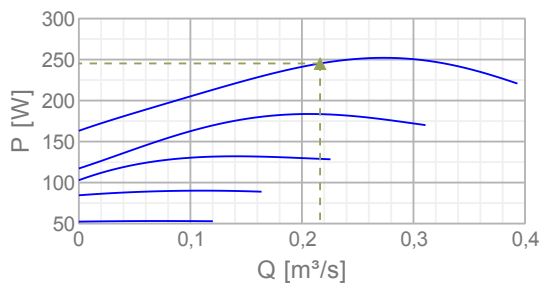
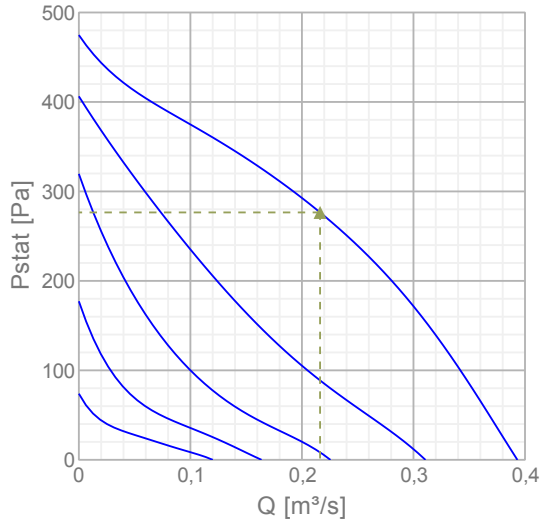
Call: [0845 6880112](tel:08456880112)  
 Email: [info@adremit.co.uk](mailto:info@adremit.co.uk)

#### Our Address

Puravent, Adremit Limited, Unit 5a, Commercial Yard,  
 Settle, North Yorkshire, BD24 9RH

## Diagrams

### Diagrams



### Max efficiency

Hydraulic data										
▲ Working air flow	0,216 m³/s									
▲ Working static pressure	277 Pa									
▲ Power	245 W									
Speed	2591 r.p.m.									
Current	1,09 A									
SFP	1,13 W/(l/s)									
Voltage	230 V									
Sound power level		63	125	250	500	1k	2k	4k	8k	Tot
Inlet	dB(A)	54	64	68	76	73	68	66	62	79
Outlet	dB(A)	58	70	70	76	75	74	67	60	81
Surrounding	dB(A)	32	33	41	65	50	46	45	40	66

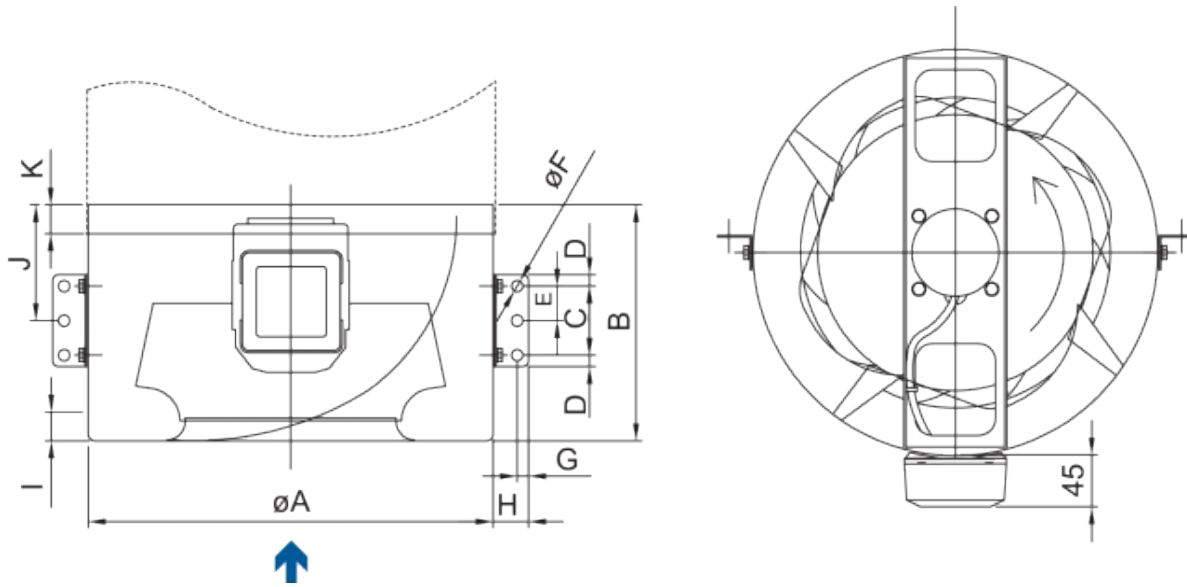
### Get In Touch

 **Call:** [0845 6880112](tel:08456880112)  
 **Email:** [info@adremit.co.uk](mailto:info@adremit.co.uk)

### Our Address

Puravent, Adremit Limited, Unit 5a, Commercial Yard, Settle, North Yorkshire, BD24 9RH

## Dimensions





	$\phi A$	B	C	D	E	$\phi F$	G	H	I	J	K
KD 315 M	313	180	60	10	30	10	10	31	25	90	25
KD 355 S	353	205	60	10	30	10	10	31	25	102,5	25

Name: **KD 315 M1\*\*** | Item no.: **25335**

Document type: **Product card** | Document date: **2019-07-16** | Generated by: **Online catalogue**

3 / 5

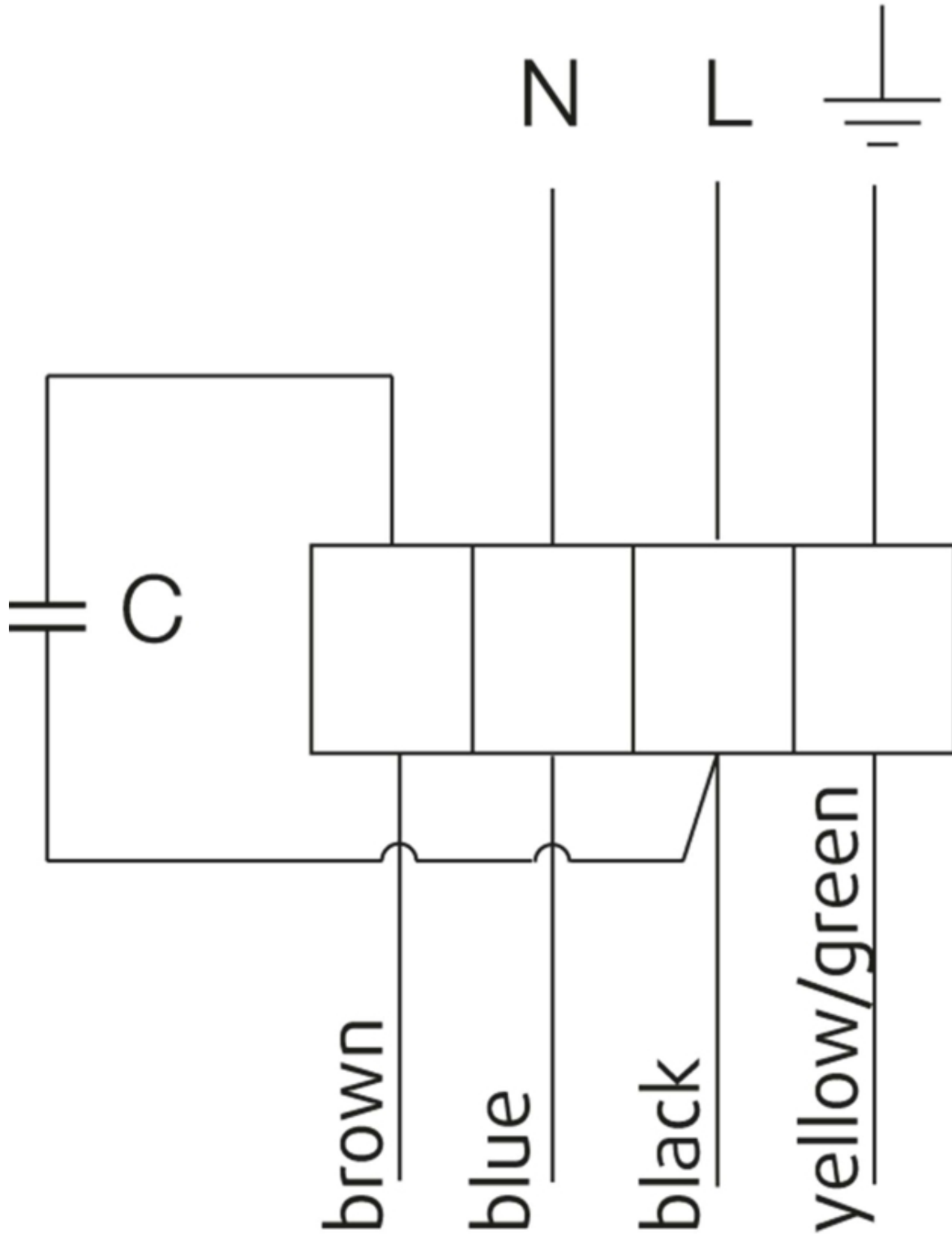
### Get In Touch

 Call: [0845 6880112](tel:08456880112)  
 Email: [info@adremit.co.uk](mailto:info@adremit.co.uk)

### Our Address

Puravent, Adremit Limited, Unit 5a, Commercial Yard,  
Settle, North Yorkshire, BD24 9RH

230V 1~



U1 = blue = blau  
U2 = black = schwarz  
Z = brown = braun  
PE = yellow/green = grün-gelb

Name: **KD 315 M1\*\*** | Item no.: **25335**

Document type: **Product card** | Document date: **2019-07-16** | Generated by: **Online catalogue**

Get In Touch

Call: [0845 6880112](tel:08456880112)  
Email: [info@adremit.co.uk](mailto:info@adremit.co.uk)

Our Address

Puravent, Adremit Limited, Unit 5a, Commercial Yard,  
Settle, North Yorkshire, BD24 9RH

## Accessories

### Electric accessories

[RE 1.5 Speed control \(5000\)](#)  
[REU 1.5 Speed control \(5004\)](#)  
[REE 2 Speed control \(5316\)](#)  
[REPT 6 Digital regulator \(5698\)](#)  
[RT 0-30 Room Thermostat \(5151\)](#)  
[CO2RT-R-D Transmitter \(6993\)](#)  
[Presence detector/IR24-P \(6995\)](#)  
[STL 1.5 Speed controller \(84251\)](#)  
[REV-3POL/03 ON/OFF \(33978\)](#)  
[FRQS-E-6A \(37419\)](#)  
[FRQS-E-6A \(37421\)](#)  
[DTV500A \(96807\)](#)

### Accessories

[CB 315-9,0 400V/3 Duct heater \(5375\)](#)  
[CB 315-3,0 230V/1 Duct heater \(5386\)](#)  
[CB 315-12,0 400V/3 Duct heater \(5387\)](#)  
[CBM 315-9,0 400V/3 Duct heater \(5485\)](#)  
[VBF 315 Water heating battery \(1734\)](#)  
[CWX 315-3-2,5 Duct cooler,circ \(30025\)](#)  
[VBC 315-2 Water heating batt \(5461\)](#)  
[LDC 315-900 Silencer \(5197\)](#)  
[FFR 315 Filter cassette \(1779\)](#)  
[FGR 315 Filter cassette \(1818\)](#)  
[FK 315 Fast clamp \(1613\)](#)  
[VKK-315 Back draft damper \(1628\)](#)  
[RSK-315 Back draft damper \(5604\)](#)  
[SG 315 Protection guard \(5611\)](#)  
[VK-30 Louvre shutter \(5641\)](#)  
[VBC 315-3 Water heating batt \(9844\)](#)  
[CB 315-6,0 400V/2 Duct heater \(5374\)](#)

## Documentation



132780\_Fans\_Instructions\_Outside\_EU\_A002.pdf (1 006,63kB)

## Specification text

Name: **KD 315 M1\*\*** | Item no.: **25335**

Document type: **Product card** | Document date: **2019-07-16** | Generated by: **Online catalogue**

5 / 5

### Get In Touch



Call: [0845 6880112](tel:08456880112)



Email: [info@adremit.co.uk](mailto:info@adremit.co.uk)

### Our Address

Puravent, Adremit Limited, Unit 5a, Commercial Yard,  
Settle, North Yorkshire, BD24 9RH