



# TECHNICAL WORK SHEET TECHNICAL MANUAL

## Air Heaters

### SERIES LH and LH-X



March 2012

#### Get In Touch

 Call: [0845 6880112](tel:08456880112)  
 Email: [info@adremit.co.uk](mailto:info@adremit.co.uk)

#### Our Address

Puravent, Adremit Limited, Unit 5a, Commercial Yard,  
Settle, North Yorkshire, BD24 9RH



## INDEX

	Page
Range	2
Index	3
General Information	4
Important safety regulations	5
Description of unit	5
Product reception	5
Handling and Transport	6
Removing the packaging	6
Identification	7
Overall dimensions and weight	7
Structure	8
Technical data	9
Abbreviation – Key	10
Air flow	10
Spread sheets capacity	11
Positioning	27
Shelf mounting	28
Installing the vertical fin kit	29
Ceiling mounting kit	30
Water coupling dimensions	30
Water circuit diagram	30
Inverting the water connections	31
Water connections	31
Electrical connections	32
Electrical connection plans	33
Filling – emptying the unit	42
Fin adjustment	43
Preparing for start-up	44
Checks during and after first-time start-up	44
Maintenance	45
Troubleshooting	46
Conformity	47
Maintenance	48
Notes	49

### Get In Touch

 Call: [0845 6880112](tel:08456880112)  
 Email: [info@adremit.co.uk](mailto:info@adremit.co.uk)

### Our Address

Puravent, Adremit Limited, Unit 5a, Commercial Yard,  
Settle, North Yorkshire, BD24 9RH



Type	Art.no. Standard housing RAL 7035 LH...	Art. No. Stainless steel housing LHX...
LH/X120	038972	038988
LH/X130	038973	038989
LH/X220	038974	038990
LH/X230	038975	038991
LH/X320	038976	038992
LH/X330	038977	038993
LH/X420	038978	038994
LH/X430	038979	038995
LH/X520	038980	038996
LH/X530	038981	038997
LH/X620	038982	038998
LH/X630	038983	038999
LH/X720	038984	039000
LH/X730	038985	039001
LH/X920	038986	039002
LH/X930	038987	039003

Please read this manual carefully before setting the heater into operation !












This manual is an integral part of the product: always make sure the unit is accompanied by this manual!

Modifications are subject to change; The supplier cannot be held liable for erroneous translations which may lead to incorrect interpretation or errors in writing or printing.


The following symbols are used in some parts of this handbook:

	<b>WARNING</b> = tasks requiring special caution and adequate training
	<b>FORBIDDEN</b> = actions that MUST NOT be performed.

## GENERAL INFORMATION

-  This manual is an integral part of the product: always make sure the unit is accompanied by this manual so that it can be consulted by the user, installer and any specialised Assistance Service personnel even in the event of sale. If it is damaged or lost a copy can be requested from your authorised dealer.
-  After removing the unit from its packaging make sure it has not been damaged during transport and that no parts are missing; if in doubt contact your dealer.
-  Installation of water-fed fan heaters must be effected by a qualified company.
-  This unit has been designed for indoor heating purposes only and must only be used for such purpose in situations compatible with their performance.
-  Too high an indoor temperatures is both unhealthy and constitutes a wasteful use of energy.
-  If you do not intend to use the unit for a long period of time you **MUST** at least do the following:
- turn the main unit switch and the mains socket switch to OFF.
  - if there is a risk of sub-zero temperatures, drain the water from the unit.
-  Use original spare parts only. The Manufacturer cannot be held liable for any damages caused by improper use of the unit or the use of non-original parts.
-  References to laws, directives and regulations are indicative only and are valid at the time of going to press. The coming into force of new laws, or amendments to existing ones, does not constitute any obligation towards third parties on the part of the Manufacturer.
-  Repair and/or maintenance work must be carried out by an Authorised Technical Service or personnel qualified as described in this manual. Do not modify or tamper with the heater as dangerous situations may result: the Manufacturer cannot be held liable for any damages resulting from failure to observe the above.
-  The Manufacturer is responsible for ensuring that the unit complies with the rules, regulations, directives and standards concerning construction in force at the time the unit is put on sale. Awareness of, understanding and observance of legislation and standards regarding systems design, installation, use and maintenance are, instead, the exclusive responsibility of the planner, installer and user.
-  The Manufacturer cannot be held liable for failure to observe the instructions contained in this manual, for the consequences of actions not specifically described in this manual or for erroneous translations which may lead to incorrect interpretation.

### Get In Touch

 Call: 0845 6880112  
 Email: [info@adremit.co.uk](mailto:info@adremit.co.uk)

### Our Address

Puravent, Adremit Limited, Unit 5a, Commercial Yard,  
Settle, North Yorkshire, BD24 9RH



## IMPORTANT SAFETY REGULATIONS

- ⊖ Before carrying out any cleaning and/or maintenance work on the unit always disconnect the unit from the mains power supply by turning the main switch to OFF.
- ⊖ Any modification to safety or regulation systems is strictly forbidden without the Manufacturer's permission and guidance.
- ⊖ Never tug or detach any wires protruding from the unit even when the latter is disconnected from the power supply.
- ⊖ Do not dump packaging (plastic bags, expanded polystyrene etc) improperly, but dispose it according the valid regional directives.
- ⊖ Do not install the unit in areas with a damp or "aggressive" atmosphere. Please consult your dealer for such cases.
- ⊖ Do not place any objects on the unit or insert any objects through the cover grating.
- ⊖ Do not touch the heat exchanger battery with naked hands
- ⊖ Do not use adapters, multiple sockets or extension leads to connect the unit to the electricity supply.
- ⊖ It is forbidden to install the unit outdoors or where it is exposed to adverse weather conditions.
- ⊖ Impeccable fonction of the unit can be granted only if the entrance-temperature and the pump-capacity has been assured according to the unit's classification.

## DESCRIPTION OF UNIT

Water-fed fan heaters are designed to provide heating in winter and ventilation in summer. They are ideal for indoor areas such as shops, workshops and factories. Hot water produced by a boiler flows inside a water-air heat exchanger; an air flow generated by an electrically powered helical fan flows through the exchanger. As the air flows through the exchanger it absorbs the heat contained in the coil and the air temperature increases. Thus cold air flows into the exchanger and hot air flows out.

During the summer the fan can be run on its own to provide ventilation.

## GENERAL CONSTRUCTION CHARACTERISTICS

### Water-air exchanger

Made up of a high-efficiency copper battery with aluminium fins. Water connection couplings have a manual bleed valve.

### Cover

Made of galvanised, pre-painted sheet metal; attractive, modern design. Highly compact and versatile.

### Helical fan

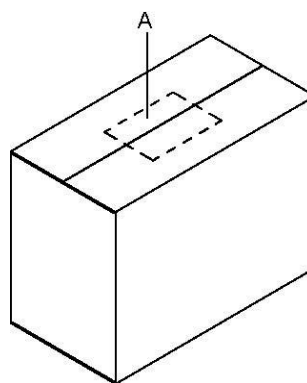
Made up of a safety grating and a high performance, silent-running fan unit.

## PRODUCT RECEPTION

The unit is sent in a single case and includes: WATER-FED

FAN HEATER PLASTIC BAG (A) containing:

- Instruction manual
- Type label



## Get In Touch

- Call: 0845 6880112
- Email: [info@adremit.co.uk](mailto:info@adremit.co.uk)

## Our Address

Puravent, Adremit Limited, Unit 5a, Commercial Yard, Settle, North Yorkshire, BD24 9RH

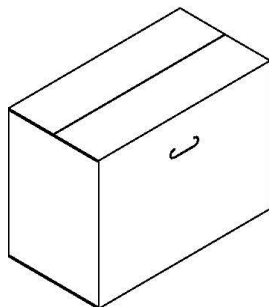


## HANDLING AND TRANSPORT

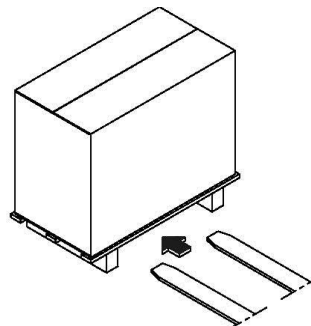
Handling must be done by properly equipped personnel. All equipment must be suitable to handle the weight of the unit. Unit types LH/X 120- 530 are packaged in a cardboard case with handles to aid transport.

Units types LH/X620-930 are packaged in a cardboard case with a wooden base. Raise the case with a fork-lift truck by inserting the forks in the special guides hollowed out in the support beams.

### Manual handling (LH/X 120-530)



### Handling with a fork lift truck (LH/X 620-930)



### WARNING!



Handling and transport must be carried out with the utmost care so as to prevent damage to the heater unit and ensure the safety of the personnel carrying out the work.



Use of personal safety items (work gloves, hard hat, work shoes etc.) is recommended.

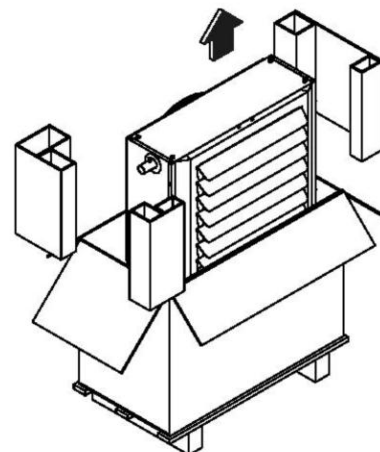


If it is necessary to stack several units always observe the stacking index: this is shown on the case. Always align the cases carefully to prevent stack instability.

## REMOVING THE PACKAGING

To remove the packaging proceed as follows:

- Cut the strap (types LH/X620-630 only);
- Open the upper part of the case;
- Remove the inner spacers;
- Pull the unit upwards out of the case.



### Get In Touch



Call: [0845 6880112](tel:08456880112)



Email: [info@adremit.co.uk](mailto:info@adremit.co.uk)

### Our Address

Puravent, Adremit Limited, Unit 5a, Commercial Yard,  
Settle, North Yorkshire, BD24 9RH



### IDENTIFICATION

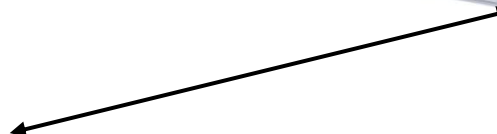
The water-fed fan heaters are to be identified as follows:

The TECHNICAL DATA plaque has to be on the rear of the unit.

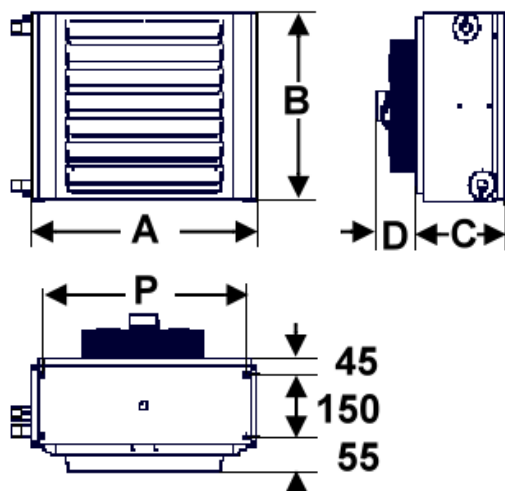


If the plaque is damaged or lost request a duplicate from an Authorised Technical Service.

		Kroll GmbH Wärme- und Lüftungstechnik Pfarrgartenstraße 46 D - 71737 Kirchberg / Murr Tel. 07144 / 830 - 200    Telefax 07144 / 830 - 201			
<b>Water - fed fan heater</b>					
Type	LH 320				
Serial no.	24247 005907				
Article no.	038976				
Year of construction	2007				
Country	Deutschland				
Heating cap. output (1)	27,4				kW
max. electrical power	140				W
Electrical power supply	230 ~ 50				V / Hz
max. air flow rate	3600				m³/h
max. electrical current	0,70				A
Protection rate	54				IP
max. working pessure	10				bar
(1) water 85-70°C air 15°C					



### OVERALL DIMENSIONS AND WEIGHT



TYP E LH/X	120	130	220	230	320	330	420	430	520	530	620	630	720	730	920	930	
A	555		605		705		755		805		855		1205		1405		mm
B	390		440		540		590		640		690		690		690		mm
C	280																mm
D	90		116		122					172		162		172		mm	
P	489		539		639		689		739		789	1139				mm	
weig ht	14	15	16	18	23	24	25	28	29	32	40	43	58	63	70	76	kg

#### Get In Touch

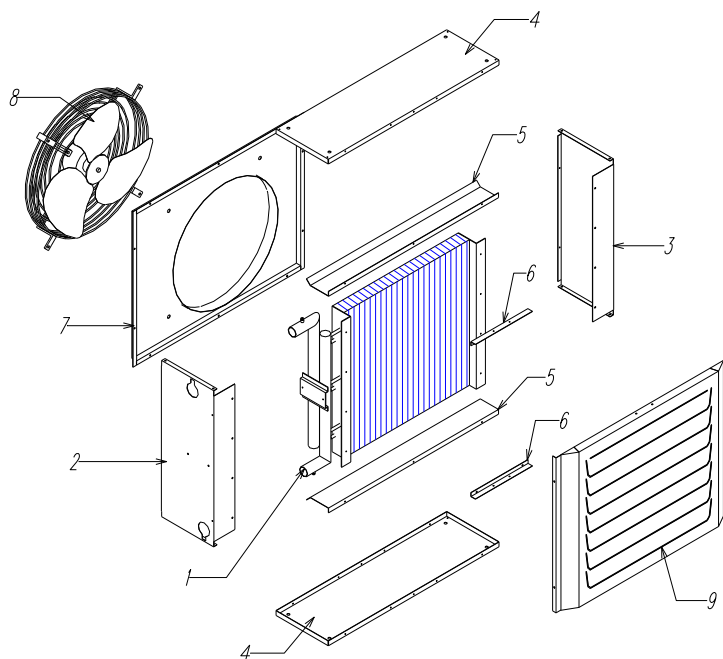
Call: 0845 6880112  
 Email: [info@adremit.co.uk](mailto:info@adremit.co.uk)

#### Our Address

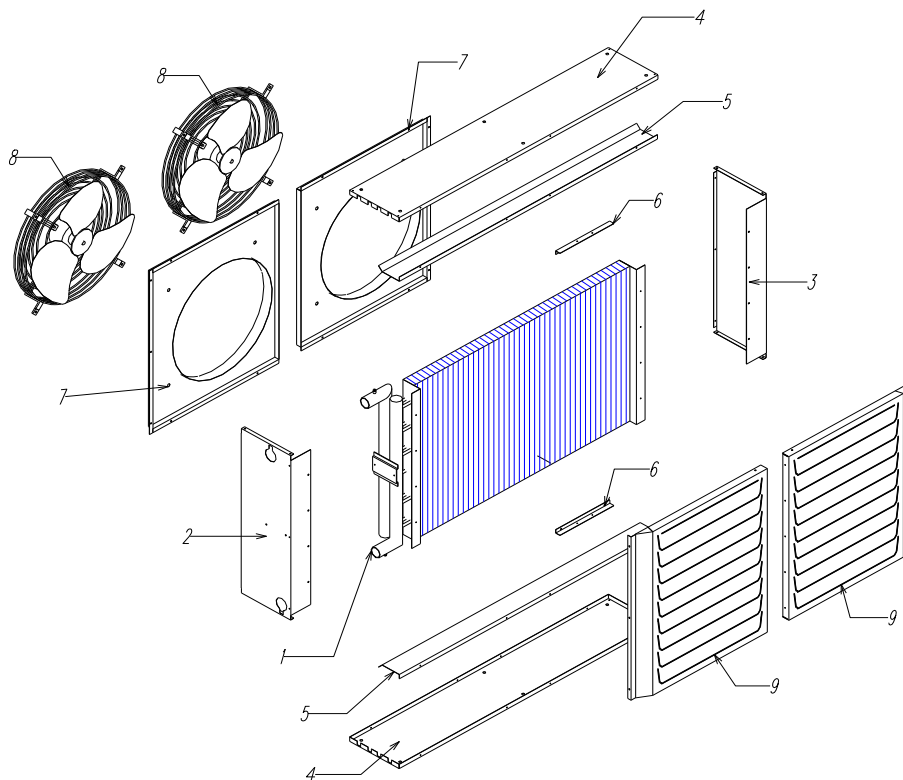
Puravent, Adremit Limited, Unit 5a, Commercial Yard,  
 Settle, North Yorkshire, BD24 9RH

## STRUCTURE

### Structure of heater types LH/X 120-530



### Structure of heater types LH/X 620-930



1	Heat exchanger Cu/Al	6	Fixing part
2	Side panel, left	7	Fixing plate
3	Side panel, right	8	Fan (s)
4	Upper – lower panel	9	Outflow grating
5	Internal part		

8

#### Get In Touch

Call: [0845 6880112](tel:08456880112)  
 Email: [info@adremit.co.uk](mailto:info@adremit.co.uk)

#### Our Address

Puravent, Adremit Limited, Unit 5a, Commercial Yard,  
Settle, North Yorkshire, BD24 9RH



## TECHNICAL DATA

TYPE LH/X	HEATING CAPACITY		NUMBER OF RANGE	FAN			MAX. AIR DELIVERY RATE	AIR OUTFLOW RANGE	AIR OUTFLOW TEMPERATURE(1)	WATER SIDE HEAD LOSS	WATER FLOW RATE	ELECTRICAL POWER SUPPLY	PROTECTION DEGREE	ELECTRICAL POWER	MAX. ELECTRICAL CURRENT	NOISE LEVEL dB (A) (2)		
				NUMBER OF FANS	DIAMETRI	FAN SPEED rpm MAX-MED-MIN												
	KW	kcal/h	Nr.	Nr	mm	U/min'	m3/h	m	°C	kPa	Liter/h	V / Hz	IP	W	A	MAX	MED	MIN
120	13,3	11450	2	1	300	1400 – 900 – 700 (3)	1750	22	38	26	785	230V~ / 50 Hz	54	80	0,40	50	47	41
130	17,3	14900	3		300		1550	17	47	20	1020		54	80	0,40	50	47	41
220	17,7	15250	2		315		2450	25	36	17	1044		54	95	0,40	51	47	45
230	23,8	20450	3		315		2300	19	45	20	1401		54	95	0,40	51	47	45
320	27,4	23550	2		350		3600	31	37	24	1612		54	140	0,70	53	49	43
330	35,4	31300	3		350		3400	25	46	19	2141		54	140	0,70	53	49	43
420	31,9	27400	2		400		3950	32	39	20	1876		54	180	0,80	53	49	43
430	42,7	36750	3		400		3900	24	47	13	2514		54	180	0,80	53	49	43
520	39,1	33600	2		420		5200	33	37	13	2300		44	150	1,40	53	49	47
530	52,4	45100	3		420		4900	26	46	16	3086		44	150	1,40	53	49	47
620	47,4	40800	2		2		600	900-700 (3)	6700	39	36		14	2793	400V~ / 50 Hz	54	245	1,04
630	63	54150	3	600		6200	37		45	12	3707	54	245	1,04		52	-	46
720	67,7	58200	2	450		8500	38		38	11	3985	54	260	1,40		54	-	49
730	87,8	75550	3	450		7700	32		48	9	5173	54	260	1,40		54	-	49
920	88,8	76400	2	600		12550	40		36	21	5229	54	490	2,08		53	-	48
930	115	98800	3	600		10900	38		46	17	6764	54	490	2,08		53	-	48

(1) Data refers to following conditions:

- Water temperature 85-70 °C
- Air temperature 15 °C
- U.R. 50%
- Atmospheric pressure 1013 mbar
- Max fan speed

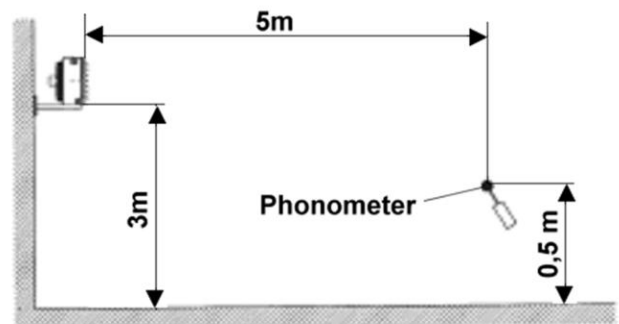
(2) Data refers to following conditions:

- Area unobstructed
- Max fan speed
- Unit installed on wall 3m above ground with sound pressure measured frontally at 5 m distance.

(3) RPM variations attained via use of special accessories (available as optionals).

RPM figures are average values as RPM varies from model to model.

### UNOBSTRUCTED AREA SOUND PRESSURE MEASUREMENT DIAGRAM





## Abbreviation index – caption

<b>Tw1</b>	Water intake temperature	<b>Q</b>	Thermal output
<b>Tw2</b>	Water outlet temperature	<b>A</b>	Electrical current
<b>tI1</b>	Air intake temperature	<b>dB(A)</b>	Noise level
<b>tI2</b>	Air outlet temperature	<b>PW</b>	Water flow rate
<b>G</b>	Size	$\Delta p$	Water side head loss
<b>V</b>	Air flow rate		

### Water flow rate w ( m³/h)

$$w = \frac{0,86 \times Q}{\Delta t_w}$$

**W** = Water flow rate [m³/h]  
**Q** = Heating capacity [kW]  
 $\Delta t_w$  = Temperature difference supply- / return temperature [K]

## Air outflow

Size	Air flow rate			Wall mounting	Ceiling mounting			
	Max fan speed	Med fan speed	Min.fan speed	Air outflow	Standard outlet		Four side outlet	
	m³/h	m³/h	m³/h	max. m	Mounting height H <sub>max</sub> - m	Effective surface m²	Mounting height H <sub>max</sub> - m	Effective surface m²
LH/X 120	1750	*	*	22	4,5	52	4,5	57
LH/X 130	1550	*	*	17	4,5	52	4,5	57
LH/X 120	*	1250	*	*	3,5	38	3,5	42
LH/X 130	*	1150	*	*	3,5	38	3,5	42
LH/X 120	*	*	900	*	3,0	28	3,0	31
LH/X 130	*	*	850	*	3,0	28	3,0	31
LH/X 220	2450	*	*	25	4,5	62	4,5	68
LH/X 230	2300	*	*	19	4,5	62	4,5	68
LH/X 220	*	2050	*	*	4,0	50	4,0	55
LH/X 230	*	1820	*	*	4,0	50	4,0	55
LH/X 220	*	*	1900	*	3,5	40	3,5	44
LH/X 230	*	*	1550	*	3,5	40	3,5	44
LH/X 320	3600	*	*	31	5,0	73	5,0	80
LH/X 330	3400	*	*	25	5,0	73	5,0	80
LH/X 320	*	2350	*	*	4,5	54	4,5	60
LH/X 330	*	2000	*	*	4,5	54	4,5	60
LH/X 320	*	*	1650	*	4,0	45	4,0	50
LH/X 330	*	*	1350	*	4,0	45	4,0	50
LH/X 420	3950	*	*	32	5,5	80	5,5	88
LH/X 430	3900	*	*	24	5,5	80	5,5	88
LH/X 420	*	2800	*	*	5,0	62	5,0	69
LH/X 430	*	2650	*	*	5,0	62	5,0	69
LH/X 420	*	*	1900	*	4,5	49	4,5	54
LH/X 430	*	*	1850	*	4,5	49	4,5	54
LH/X 520	5200	*	*	33	6,0	95	6,0	105
LH/X 530	4900	*	*	26	6,0	95	6,0	105
LH/X 520	*	3300	*	*	5,5	73	5,5	81
LH/X 530	*	3150	*	*	5,5	73	5,5	81
LH/X 520	*	*	2450	*	5,0	61	5,0	67
LH/X 530	*	*	2200	*	5,0	61	5,0	67
LH/X 620	6700	*	*	39	7,0	125	7,0	132
LH/X 630	6200	*	*	37	7,0	125	7,0	132
LH/X 620	*	*	*	*	*	*	*	*
LH/X 630	*	*	*	*	*	*	*	*
LH/X 620	*	*	6550	*	6,0	100	6,0	110
LH/X 630	*	*	6100	*	6,0	100	6,0	110
LH/X 720	12 550	*	*	38	10,0	215	10,0	236
LH/X 730	10 900	*	*	32	10,0	215	10,0	236
LH/X 720	*	*	*	*	*	*	*	*
LH/X 730	*	*	*	*	*	*	*	*
LH/X 720	*	*	8950	*	8,5	155	8,5	170
LH/X 730	*	*	8400	*	8,5	155	8,5	170
LH/X 920	12 550	*	*	40	10,0	215	10,0	236
LH/X930	10.900	*	*	*	*	*	*	*
LH/X920	*	*	*	*	*	*	*	*
LH/X930	*	*	*	*	*	*	*	*
LH/X920	*	*	8950	*	8,5	155	8,5	170



LH/X930	*	*	8400	*	8,5	155	8,5	170
---------	---	---	------	---	-----	-----	-----	-----

		LH 120								
		Max fan speed			Med fan speed			Min.fan speed		
Air flow rate	m <sup>3</sup> /h	1.750			1.250			900		
Fan speed rpm	1/min	700 – 900 - 1400								
Electrical power	W	80								
Electr.power supply	V	230								
Max. electr. current	A	Max. 0,40								
Weight	kg	14								
Water flow rate	l	6								
Connection	inch	1								
Noise level	dB(A)	50			47			41		
<b>Heating medium</b>	t1 °C	Q kW	t2 °C	Δ P kPa	Q kW	t2 °C	Δ P kPa	Q kW	t2 °C	Δ P kPa
<b>LTHW 50 / 40°C</b>	20	4,90	28,00	10	4,30	30,00	8	3,80	32,00	6
	15	6,00	25,00	15	5,30	28,00	12	4,70	30,00	9
	10	8,41	23,75		6,84	25,65		5,53	27,58	
	5	9,73	20,65		7,91	22,80		6,39	24,99	
	0	11,06	17,48		8,98	19,88		7,27	22,33	
	-5	12,39	14,25		10,07	16,90		8,15	19,60	
	-10	13,74	10,96		11,147	13,85		9,04	16,80	
	-15	15,10	7,60		12,28	10,73		9,94	13,92	
<b>LTHW 60 / 40°C</b>	20	5,17	28,30	3	4,45	31,60	3	3,80	32,80	2
Air flow rate	m <sup>3</sup> /h	1.550			1.150			850		
Fan speed rpm	1/min	9,15			7,47			6,06		
Electrical power	W	80								
Electr.power supply	V	11,83	18,69		9,64	23,04		7,83	24,06	
	-5	13,17	15,46		10,74	18,35		8,72	21,32	
	-10	14,53	12,15		11,85	15,29		9,62	18,51	
	-15	15,89	8,78		12,96	12,16		10,52	15,62	
<b>LTHW 70 / 50°C</b>	20	7,82	33,30	6	6,89	36,40	5	6,01	39,90	4
	15	8,98	30,00	8	7,90	33,50	7	6,89	37,40	5
	10	11,84	29,35		9,65	32,09		7,82	34,87	
	5	13,17	26,18		10,74	29,17		8,70	32,21	
	0	14,52	22,95		11,83	26,18		9,59	29,47	
	-5	15,87	19,65		12,93	23,12		10,49	26,66	
	-10	17,24	16,28		14,04	19,98		11,39	23,77	
	-15	18,61	12,85		15,17	16,77		12,31	20,81	
<b>LTHW 80 / 60°C</b>	20	10,20	37,30	10	8,96	41,30	8	7,79	45,70	6
	15	11,36	34,00	12	9,98	38,30	10	8,67	43,10	8
	10	14,49	33,68		11,79	36,98		9,55	40,35	
	5	15,83	30,45		12,88	34,00		10,43	37,61	
	0	17,18	27,16		13,98	30,95		11,32	34,80	
	-5	18,54	23,80		15,10	27,62		12,23	31,92	
	-10	19,92	20,38		16,22	24,62		13,14	28,96	
	-15	21,32	16,88		17,35	21,35		14,06	25,92	
<b>LTHW 90 / 70°C</b>	20	12,50	42,00	14	10,90	46,00	11	9,60	51,00	9
	15	13,70	38,00	16	12,00	43,00	13	10,50	49,00	10
	10	17,11	37,98		13,91	41,63		11,25	45,46	
	5	18,47	34,70		15,01	38,78		12,14	42,95	
	0	19,83	31,35		16,02	35,66		13,04	40,07	
	-5	21,20	27,93		17,24	32,48		13,95	37,12	
	-10	22,59	24,44		18,37	29,21		14,87	34,09	
	-15	23,98	20,89		19,51	25,88		15,80	30,98	

Get In Touch

Call: 0845 6880112  
 Email: [info@adremit.co.uk](mailto:info@adremit.co.uk)

Our Address

Puravent, Adremit Limited, Unit 5a, Commercial Yard,  
 Settle, North Yorkshire, BD24 9RH







Max. electr. current	A	Max. 0,40								
Weight	kg	15								
Water flow rate	l	7,3								
Connection	inch	1								
Noise level	dB(A)	20			47			41		
<b>Heating medium</b>	t1 °C	Q kW	t2 °C	Δ P kPa	Q kW	t2 °C	Δ P kPa	Q kW	t2 °C	Δ P kPa
<b>LTHW 50 / 40°C</b>	20	6,40	32,00	8	5,50	34,00	6	11,90	62,00	6
	15	7,90	30,00	12	6,80	32,00	9	13,00	60,00	7
	10	10,98	29,34		8,57	31,31		6,92	33,30	
	5	12,12	27,00		9,90	29,24		8,00	31,49	
	0	13,78	24,59		11,26	27,08		9,10	29,60	
	-5	15,45	22,10		12,63	24,86		10,21	27,64	
	-10	17,15	19,53		14,03	22,55		11,34	25,59	
	-15	18,87	16,89		15,44	20,16		12,48	23,46	
<b>LTHW 60 / 40°C</b>	20	6,61	32,70	2	5,66	34,60	2	4,82	36,80	1
	15	8,43	30,90	4	7,20	33,30	3	6,06	35,80	2
	10	11,52	31,26		9,47	33,56		7,68	35,84	
	5	13,18	28,94		10,83	31,51		8,79	34,12	
	0	14,86	26,53		12,21	29,37		9,91	32,25	
	-5	16,56	24,03		13,60	27,14		11,04	30,29	
	-10	18,27	21,46		15,00	24,81		12,18	28,24	
	-15	20,01	18,80		16,42	22,40		13,34	26,09	
<b>LTHW 70 / 50°C</b>	20	10,22	39,60	5	8,92	43,00	4	7,63	46,70	3
	15	11,71	37,10	6	10,21	40,90	5	8,76	45,10	4
	10	14,83	37,37		12,16	40,25		9,85	43,16	
	5	16,50	34,50		13,53	38,10		10,96	41,26	
	0	18,19	32,46		14,91	35,86		12,08	39,32	
	-5	19,89	29,88		16,31	33,54		13,22	37,26	
	-10	21,62	27,23		17,73	31,13		14,37	35,12	
	-15	23,37	24,49		19,16	28,64		15,54	32,88	
<b>LTHW 80 / 60°C</b>	20	13,25	45,4	8	11,52	49,80	6	9,85	54,40	5
	15	14,76	42,8	9	12,83	47,60	7	10,96	52,70	6
	10	18,08	43,38		14,80	46,82		11,97	50,30	
	5	19,77	40,89		16,88	44,59		13,08	48,33	
	0	21,47	28,32		17,57	42,27		14,22	46,28	
	-5	23,19	35,67		18,99	39,88		15,37	44,14	
	-10	24,94	32,97		20,42	37,39		16,54	41,92	
	-15	26,71	30,12		21,88	34,83		17,33	39,61	
<b>LTHW 90 / 70°C</b>	20	16,30	51,00	11	14,10	57,00	8	4,70	37,00	5
	15	17,80	48,00	13	15,30	54,00	10	5,80	35,00	7
	10	21,31	49,33		17,42	53,33		14,08	57,38	
	5	23,01	46,77		18,81	51,03		15,20	55,34	
	0	24,72	44,13		20,22	48,64		16,35	53,21	
	-5	26,47	41,41		21,65	46,17		17,52	51,00	
	-10	28,23	38,60		23,11	43,62		18,70	48,71	
	-15	30,02	35,72		24,58	40,98		19,90	46,32	

		LH 220
--	--	--------

**Get In Touch**

 Call: 0845 6880112  
 Email: [info@adremit.co.uk](mailto:info@adremit.co.uk)

**Our Address**

Puravent, Adremit Limited, Unit 5a, Commercial Yard,  
Settle, North Yorkshire, BD24 9RH



		Max fan speed			Med. fan speed			Min. fan speed		
Air flow rate	m³/h	2.450			2.050			1.900		
Fan speed rpm	1/min	700 – 900 - 1400								
Electrical power	W	95								
Electr. power supply	V	230								
Max. electr. current	A	Max. 0,40								
Weight	kg	16								
Water flow rate	l	7,1								
Connection	inch	1								
Noise level	dB(A)	51			47			45		
<b>Heating medium</b>	t1 °C	Q kW	t2 °C	Δ P kPa	Q kW	t2 °C	Δ P kPa	Q kW	t2 °C	Δ P kPa
<b>LTHW 50 / 40°C</b>	20	6,50	28,00	7	6,00	29,00	6	5,90	29,00	6
	15	7,90	25,00	10	7,50	26,00	9	7,30	26,00	8
	10	11,32	23,22		10,17	24,19		9,71	24,62	
	5	13,11	20,06		11,78	21,17		11,24	21,65	
	0	14,91	16,84		13,40	18,08		12,79	18,62	
	-5	16,73	13,56		15,03	14,93		14,53	15,52	
	-10	18,57	10,22		16,68	11,71		15,92	12,36	
	-15	20,42	6,82		18,34	8,43		17,51	9,13	
<b>LTHW 60 / 40°C</b>	20	6,32	27,70	2	5,85	28,50	2	5,66	28,80	2
	15	8,30	24,90	3	7,67	25,90	3	7,41	26,40	2
	10	12,21	24,26		11,00	25,35		10,51	25,83	
	5	14,02	21,11		12,63	22,34		12,07	22,88	
	0	15,85	17,89		14,27	19,25		13,67	19,85	
	-5	17,68	14,61		15,91	16,09		15,21	16,75	
	-10	19,52	11,26		17,56	12,86		16,79	13,58	
	-15	21,37	7,84		19,23	9,57		18,39	10,34	
<b>LTHW 70 / 50°C</b>	20	10,27	32,50	4	9,64	34,00	4	9,37	34,60	4
	15	11,81	29,10	5	11,07	30,80	5	10,76	31,50	5
	10	15,89	28,55		14,30	29,96		13,64	30,54	
	5	17,70	25,33		15,93	26,87		15,22	27,54	
	0	19,53	22,05		17,57	23,71		16,78	24,43	
	-5	21,37	18,70		19,22	20,48		18,36	21,26	
	-10	23,22	15,29		20,89	17,19		19,96	18,03	
	-15	25,09	11,82		22,57	13,83		21,56	14,72	
<b>LTHW 80 / 60°C</b>	20	13,48	36,30	7	12,62	38,30	6	12,26	39,20	6
	15	15,02	32,90	8	14,07	35,00	7	13,66	36,00	7
	10	19,50	32,78		17,55	34,49		16,75	35,22	
	5	21,33	29,50		19,18	31,33		18,31	32,13	
	0	23,16	26,15		20,83	28,11		19,89	28,96	
	-5	25,02	22,75		22,49	24,82		21,49	25,73	
	-10	26,88	19,28		24,17	21,47		23,09	22,43	
	-15	28,77	15,75		25,86	18,04		24,71	19,06	
<b>LTHW 90 / 70°C</b>	20	16,60	40,00	9	15,60	43,00	8	15,20	44,00	8
	15	18,10	37,00	11	17,10	39,00	10	16,60	40,00	9
	10	23,09	36,97		20,75	38,95		19,80	39,82	
	5	24,93	33,63		22,39	35,76		21,38	36,66	
	0	26,78	30,24		24,05	32,46		22,97	33,44	
	-5	28,64	26,78		25,74	29,12		24,57	30,15	
	-10	30,52	23,25		27,43	25,71		26,19	26,78	
	-15	32,62	19,65		29,14	22,23		27,82	23,35	

## Get In Touch

Call: 0845 6880112  
 Email: [info@adremit.co.uk](mailto:info@adremit.co.uk)

## Our Address

Puravent, Adremit Limited, Unit 5a, Commercial Yard,  
 Settle, North Yorkshire, BD24 9RH



		<b>LH 230</b>								
		<i>Max fan speed</i>			<i>Med. fan speed</i>			<i>Min. fan speed</i>		
Air flow rate	m <sup>3</sup> /h	2.300			1.850			1.550		
Fan speed rpm	1/min	700 – 900 - 1400								
Electrical power	W	95								
Electr.power supply	V	230								
Max. electr. current	A	Max. 0,40								
Weight	kg	18								
Water flow rate	l	8,8								
Connection	inch	1								
Noise level	dB(A)	51			47			45		
<b>Heating medium</b>	t1 °C	Q kW	t2 °C	Δ P kPa	Q kW	t2 °C	Δ P kPa	Q kW	t2 °C	Δ P kPa
Air flow rate	20	8,80	31,00	8	8,00	33,00	7	7,40	34,00	6
	15	10,80	29,00	11	9,80	31,00	10	9,10	32,00	8
	10	14,84	28,47		12,87	29,90		11,41	31,06	
	5	17,17	26,01		14,88	27,63		13,20	28,96	
	0	19,53	23,48		16,92	25,30		15,00	26,78	
	-5	21,91	20,88		18,98	22,89		16,84	24,52	
	-10	24,32	18,21		21,08	20,40		18,70	22,19	
	-15	26,75	15,46		23,20	17,83		20,58	19,77	
<b>LTHW 60 / 40°C</b>	20	9,05	31,70	2	8,100	33,00	2	7,39	34,20	2
	15	11,62	29,80	4	10,40	31,40	3	9,45	32,80	3
	10	16,26	30,22		14,15	31,88		15,59	33,23	
	5	18,62	27,79		16,20	29,64		14,41	31,16	
	0	21,01	25,27		18,26	27,31		16,25	28,99	
	-5	23,41	22,66		20,35	24,90		18,10	26,74	
	-10	25,83	19,97		22,46	22,39		19,98	24,39	
	-15	28,29	17,21		24,59	19,80		21,88	21,96	
<b>LTHW 70 / 50°C</b>	20	14,05	38,20	5	12,79	40,50	4	11,79	42,60	4
	15	16,11	35,50	6	14,66	38,10	3	13,51	40,50	5
	10	20,97	36,09		18,23	38,18		16,19	39,88	
	5	23,34	33,56		20,88	35,85		18,02	37,71	
	0	25,74	30,96		22,35	33,42		19,86	35,45	
	-5	28,16	28,27		24,45	30,92		21,73	32,11	
	-10	30,61	25,51		26,58	28,34		23,62	30,67	
	-15	33,09	22,67		28,73	25,67		25,54	28,16	
<b>LTHW 80 / 60°C</b>	20	18,27	43,60	8	16,59	46,60	6	15,25	49,20	6
	15	20,34	40,80	9	18,47	44,20	8	16,98	47,00	7
	10	25,61	41,86		22,22	44,36		19,72	47,40	
	5	28,00	39,26		24,29	41,94		21,56	44,14	
	0	30,42	36,58		26,38	39,45		23,42	41,80	
	-5	32,86	33,83		28,50	36,87		25,31	39,37	
	-10	35,33	30,99		30,65	34,22		27,22	36,86	
	-15	37,83	28,07		32,83	31,48		29,16	34,27	
<b>LTHW 90 / 70°C</b>	20	22,40	49,00	11	20,30	53,00	9	18,70	56,00	8
	15	24,50	46,00	12	22,30	50,00	10	20,50	53,00	9
	10	30,20	47,57		26,17	50,48		23,21	52,84	
	5	32,61	44,90		28,26	47,99		25,07	50,51	
	0	35,05	42,15		30,38	45,43		26,95	48,10	
	-5	37,51	39,33		32,53	42,78		28,86	45,61	
	-10	40,01	36,42		34,70	40,05		30,90	43,03	
	-15	42,54	33,43		36,90	37,24		32,17	40,36	

## Get In Touch

Call: 0845 6880112  
 Email: [info@adremit.co.uk](mailto:info@adremit.co.uk)

## Our Address

Puravent, Adremit Limited, Unit 5a, Commercial Yard,  
 Settle, North Yorkshire, BD24 9RH





		LH 320								
		Max. fan speed			Med. fan speed			Min. fan speed		
Air flow rate	m <sup>3</sup> /h	3.600			2.350			1.650		
Fan speed rpm	1/min	700 – 900 - 1400								
Electrical power	W	140								
Electr. power supply	V	230								
Max. electr. current	A	Max. 0,70								
Weight	kg	23								
Water flow rate	l	9,6								
Connection	inch	1								
Noise level	dB(A)	53			49			43		
<b>Heating medium</b>	t1 °C	Q kW	t2 °C	Δ P kPa	Q kW	t2 °C	Δ P kPa	Q kW	t2 °C	Δ P kPa
<b>LTHW 50 / 40°C</b>	20	10,10	28,00	9	8,50	31,00	7	7,30	33,00	5
	15	12,40	25,00	14	10,50	28,00	10	9,00	31,00	8
	10	17,25	23,71		13,25	26,13		10,51	28,22	
	5	19,95	20,60		15,32	23,34		12,15	25,72	
	0	22,67	17,42		17,40	20,49		13,81	23,15	
	-5	25,41	14,19		19,51	17,57		15,48	20,50	
	-10	28,18	10,89		21,64	14,58		17,18	17,78	
	-15	30,97	7,53		23,80	11,52		18,89	14,99	
<b>LTHW 60 / 40°C</b>	20	10,68	28,80	3	8,74	31,10	2	7,32	33,20	2
	15	13,49	25,90	5	11,23	29,00	3	9,83	31,60	2
	10	18,77	24,92		14,50	27,65		11,55	30,02	
	5	21,51	21,81		16,60	24,88		13,22	27,55	
	0	24,25	18,64		18,70	22,02		14,90	24,98	
	-5	27,01	15,39		20,83	19,09		16,60	22,33	
	-10	27,79	12,08		22,98	16,09		18,31	19,61	
	-15	32,59	8,71		25,44	13,01		20,03	16,80	
<b>LTHW 70 / 50°C</b>	20	16,06	33,30	6	13,65	37,30	4	11,73	41,10	3
	15	18,41	29,90	8	15,64	34,40	6	13,43	38,80	4
	10	24,28	29,30		18,71	32,78		14,88	35,80	
	5	27,02	26,12		20,81	29,92		16,55	33,23	
	0	29,77	22,88		22,93	26,99		18,24	30,58	
	-5	32,55	19,57		25,07	23,99		19,94	27,85	
	-10	35,35	16,20		27,23	20,92		21,67	25,04	
	-15	38,17	12,77		29,41	17,77		23,41	22,15	
<b>LTHW 80 / 60°C</b>	20	20,92	37,30	9	17,71	42,40	7	15,16	47,30	5
	15	23,30	33,90	11	19,72	39,50	8	16,87	44,90	6
	10	29,70	33,61		22,85	37,82		18,15	41,47	
	5	32,46	30,37		24,96	34,89		19,83	38,82	
	0	35,23	27,07		27,09	31,89		21,53	36,10	
	-5	38,03	23,71		29,25	28,82		23,25	33,29	
	-10	40,85	20,28		31,42	25,68		24,99	30,41	
	-15	43,69	16,78		33,62	22,47		26,74	27,75	
<b>LTHW 90 / 70°C</b>	20	25,80	41,00	13	21,70	48,00	9	18,60	53,00	7
	15	28,10	38,00	15	23,70	45,00	11	20,30	51,00	8
	10	35,09	37,89		29,84	42,80		21,37	47,06	
	5	37,86	34,60		29,07	39,82		23,07	44,34	
	0	40,66	31,24		31,22	36,76		24,78	41,55	
	-5	43,47	28,82		33,40	33,63		26,52	38,68	
	-10	46,31	24,33		35,59	30,42		28,27	35,72	
	-15	49,17	20,77		37,71	27,14		30,05	32,69	

## Get In Touch

Call: 0845 6880112  
 Email: [info@adremit.co.uk](mailto:info@adremit.co.uk)

## Our Address

Puravent, Adremit Limited, Unit 5a, Commercial Yard,  
 Settle, North Yorkshire, BD24 9RH



		<b>LH330</b>								
		<i>Max. fan speed</i>			<i>Med. fan speed</i>			<i>Min. fan speed</i>		
Air flow rate	m <sup>3</sup> /h	3.400			2.000			1.350		
Fan speed rpm	1/min	700 – 900 - 1400								
Electrical power	W	140								
Electr.power supply	V	230								
Max. electr. current	A	Max. 140								
Weight	kg	24								
Water flow rate	l	12,2								
Connection	inch	1								
Noise level	dB(A)	53			49			43		
<b>Heating medium</b>	t1 °C	Q kW	t2 °C	Δ P kPa	Q kW	t2 °C	Δ P kPa	Q kW	t2 °C	Δ P kPa
<b>LTHW 50 / 40°C</b>	20	13,50	32,00	8	10,50	36,00	5	8,30	38,00	3
	15	16,60	29,00	11	12,80	34,00	7	10,30	37,00	5
	10	22,42	28,87		15,64	32,37		11,76	34,92	
	5	25,93	26,46		18,08	30,43		13,59	33,33	
	0	29,48	23,98		20,55	28,42		15,45	31,66	
	-5	33,07	31,43		23,06	26,33		17,34	29,91	
	-10	36,70	18,81		25,60	24,16		19,26	28,07	
	-15	40,38	16,10		28,19	21,91		21,22	26,16	
<b>LTHW 60 / 40°C</b>	20	14,03	32,30	2	10,53	35,60	1	8,41	38,50	1
	15	17,98	30,40	4	13,45	34,60	2	10,60	37,90	1
	10	24,41	30,71		17,32	34,78		13,11	37,77	
	5	28,18	28,32		19,81	32,88		14,99	36,24	
	0	31,77	25,85		22,33	30,88		16,88	34,60	
	-5	35,40	23,29		24,87	28,79		18,81	32,86	
	-10	39,06	20,66		27,43	26,60		20,75	31,02	
	-15	42,76	17,94		30,04	24,33		22,73	29,09	
<b>LTHW 70 / 50°C</b>	20	21,56	38,80	5	16,87	45,10	3	13,36	49,40	2
	15	24,71	36,20	6	19,30	43,20	4	15,56	48,70	3
	10	31,71	36,68		22,22	41,79		16,78	45,55	
	5	35,28	34,20		24,72	39,78		18,66	43,89	
	0	38,89	31,64		27,24	37,68		20,57	42,14	
	-5	42,54	29,01		29,81	35,50		22,50	40,30	
	-10	46,24	26,29		32,40	33,23		24,47	38,37	
	-15	49,98	23,49		35,04	30,88	26,47	36,35		
<b>LTHW 80 / 60°C</b>	20	27,97	44,40	7	21,72	52,30	5	17,46	58,40	3
	15	31,14	41,80	9	24,18	50,30	6	19,42	57,00	4
	10	38,69	42,55		27,03	48,67		20,36	53,15	
	5	42,29	40,00		29,55	46,58		22,26	51,40	
	0	45,93	37,37		32,10	44,40		24,19	49,57	
	-5	42,62	34,66		34,69	42,14		26,15	47,65	
	-10	53,34	31,87		37,32	39,80		28,15	45,64	
	-15	57,12	28,99		39,99	37,36		30,18	43,54	
<b>LTHW 90 / 70°C</b>	20	34,30	50,00	10	26,50	60,00	7	21,30	67,00	5
	15	37,40	47,00	12	28,90	58,00	8	23,30	65,00	5
	10	45,62	48,39		31,79	55,47		23,90	60,65	
	5	49,25	45,76		34,33	53,31		25,82	58,81	
	0	52,93	43,06		36,92	51,06		27,77	56,90	
	-5	56,65	40,28		39,54	48,73		29,76	54,90	
	-10	60,42	37,42		42,21	46,31		31,78	52,82	
	-15	64,24	34,48		44,91	43,81		33,84	50,64	

## Get In Touch

Call: 0845 6880112  
 Email: [info@adremit.co.uk](mailto:info@adremit.co.uk)

## Our Address

Puravent, Adremit Limited, Unit 5a, Commercial Yard,  
 Settle, North Yorkshire, BD24 9RH





		LH 420								
		Max. fan speed			Med. fan speed			Min. fan speed		
Air flow rate	m <sup>3</sup> /h	3.950			2.800			1.900		
Fan speed rpm	1/min	700 – 900 - 1400								
Electrical power	W	180								
Electr. power supply	V	230								
Max. electr. current	A	Max. 0,80								
Weight	kg	25								
Water flow rate	l	10,7								
Connection	inch	1								
Noise level	dB(A)	53			49			43		
<b>Heating medium</b>	t1 °C	Q kW	t2 °C	Δ P kPa	Q kW	t2 °C	Δ P kPa	Q kW	t2 °C	Δ P kPa
<b>LTHW 50 / 40°C</b>	20	11,70	29,00	8	10,20	31,00	6	8,60	33,00	5
	15	14,40	26,00	11	12,60	28,00	9	10,60	31,00	7
	10	19,62	24,21		15,83	26,17		12,27	28,47	
	5	22,70	21,17		18,31	23,40		14,19	26,01	
	0	25,80	18,07		20,81	20,56		16,13	23,48	
	-5	28,93	14,90		23,33	17,65		18,09	20,87	
	-10	32,08	11,68		25,89	14,67		20,07	18,19	
	-15	35,27	8,38		28,47	11,62		22,08	15,43	
<b>LTHW 60 / 40°C</b>	20	12,08	29,10	2	10,24	30,90	2	8,42	33,20	1
	15	15,59	26,50	4	13,27	28,80	3	10,86	31,70	2
	10	21,36	25,47		17,28	27,66		13,45	30,26	
	5	24,28	22,44		19,80	24,90		15,41	27,82	
	0	27,61	19,34		22,33	22,07		17,38	25,30	
	-5	30,75	16,16		24,89	19,15		19,36	22,69	
	-10	33,93	12,92		27,45	16,16		21,36	20,00	
	-15	37,12	9,61		30,05	13,10		23,38	17,22	
<b>LTHW 70 / 50°C</b>	20	18,67	34,00	5	16,34	37,30	4	13,82	41,60	3
	15	21,42	30,80	6	18,73	34,50	5	15,83	39,30	4
	10	27,61	30,00		22,34	32,63		17,36	36,14	
	5	30,72	26,89		24,86	29,98		19,32	33,61	
	0	33,87	23,72		27,39	27,06		21,29	31,00	
	-5	37,03	20,48		29,95	24,07		23,29	28,31	
	-10	40,23	17,18		32,51	21,01		25,31	25,54	
	-15	43,45	13,81		35,14	17,87		27,35	22,69	
<b>LTHW 80 / 60°C</b>	20	24,34	38,30	8	21,23	42,50	6	17,87	48,00	4
	15	27,10	35,00	9	23,64	39,70	7	19,90	45,60	5
	10	33,80	34,48		27,31	37,90		21,19	41,91	
	5	36,96	31,32		29,84	34,99		23,16	39,30	
	0	40,10	28,08		32,39	32,00		25,15	36,62	
	-5	43,29	24,79		34,97	28,94		27,16	33,85	
	-10	46,51	21,42		37,58	25,81		29,20	31,01	
	-15	49,76	17,99		40,21	22,61		31,26	28,08	
<b>LTHW 90 / 70°C</b>	20	29,90	43,00	11	26,10	48,00	8	22,00	54,00	6
	15	32,70	39,00	12	28,50	45,00	10	24,10	52,00	7
	10	39,94	38,93		32,22	42,92		24,97	47,59	
	5	43,10	35,70		34,77	39,94		26,95	44,92	
	0	46,28	32,41		37,34	36,89		28,96	42,16	
	-5	49,50	29,06		39,95	33,78		30,99	39,32	
	-10	52,74	25,63		42,58	30,58		33,04	36,41	
	-15	56,01	22,13		45,24	27,31		35,12	33,41	

## Get In Touch

Call: 0845 6880112  
 Email: [info@adremit.co.uk](mailto:info@adremit.co.uk)

## Our Address

Puravent, Adremit Limited, Unit 5a, Commercial Yard,  
 Settle, North Yorkshire, BD24 9RH



		<b>LH 430</b>								
		<i>Max. fan speed</i>			<i>Med. fan speed</i>			<i>Min. fan speed</i>		
Air flow rate	m <sup>3</sup> /h	3.900			2.650			1.850		
Fan speed rpm	1/min	700 – 900 - 1400								
Electrical power	W	180								
Electr. power supply	V	230								
Max. electr. current	A	Max. 0,80								
Weight	kg	28								
Water flow rate	l	14,2								
Connection	inch	1								
Noise level	dB(A)	53			49			43		
<b>Heating medium</b>	t1 °C	Q kW	t2 °C	Δ P kPa	Q kW	t2 °C	Δ P kPa	Q kW	t2 °C	Δ P kPa
<b>LTHW 50 / 40°C</b>	20	15,80	32,00	5	13,00	35,00	4	27,70	64,00	4
	15	19,40	30,00	8	16,20	33,00	6	30,30	62,00	4
	10	26,00	29,07		20,02	31,61		15,49	33,95	
	5	30,01	26,73		23,16	29,60		17,92	32,26	
	0	34,24	24,28		26,35	27,51		20,38	30,48	
	-5	38,43	21,78		29,58	25,34		22,89	28,62	
	-10	42,67	19,20		32,86	23,09		25,43	26,68	
	-15	46,97	16,54		36,19	20,76		28,02	24,66	
<b>LTHW 60 / 40°C</b>	20	15,39	31,70	2	12,54	34,10	1	10,32	36,60	1
	15	20,14	30,10	2	16,27	32,90	2	13,17	35,80	1
	10	28,41	30,84		22,04	33,79		17,14	36,51	
	5	32,58	28,51		25,24	31,81		19,64	34,87	
	0	36,78	26,09		28,48	29,73		22,15	33,13	
	-5	41,01	23,58		31,75	27,56		24,70	31,28	
	-10	45,28	20,98		35,05	25,30		22,28	29,35	
	-15	49,61	18,31		38,40	22,94		29,69	27,31	
<b>LTHW 70 / 50°C</b>	20	25,18	39,20	3	21,10	43,70	3	16,97	47,30	2
	15	28,89	36,60	4	24,18	41,60	3	19,90	46,40	2
	10	36,76	36,97		28,38	40,64		22,03	44,07	
	5	40,94	34,54		31,10	38,56		24,52	42,30	
	0	45,15	32,02		34,86	36,39		27,04	40,44	
	-5	49,40	29,43		38,16	34,13		29,61	38,49	
	-10	55,71	26,75		41,50	31,79		32,21	36,46	
	-15	58,07	23,99		44,88	29,36		34,65	34,33	
<b>LTHW 80 / 60°C</b>	20	32,76	45,00	5	27,30	50,60	4	22,53	56,20	3
	15	36,50	42,30	6	30,41	48,50	5	25,08	54,60	3
	10	44,89	42,93		34,62	47,20		26,82	51,48	
	5	49,10	40,43		37,86	45,20		29,33	49,62	
	0	53,53	37,84		41,14	42,95		31,88	47,68	
	-5	57,65	35,18		44,47	40,61		34,48	45,65	
	-10	62,01	32,43		47,85	38,19		37,12	43,54	
	-15	66,42	29,60		51,28	35,68		39,80	41,43	
<b>LTHW 90 / 70°C</b>	20	40,20	51,00	7	33,40	58,00	5	10,50	37,00	3
	15	44,00	48,00	9	36,60	55,00	6	13,30	36,00	4
	10	52,97	48,86		40,78	54,03		31,55	58,79	
	5	57,21	46,28		44,05	51,78		34,09	56,86	
	0	61,50	43,62		47,38	49,45		36,68	54,84	
	-5	65,85	40,89		50,75	47,04		39,30	52,74	
	-10	70,25	38,07		54,16	44,54		41,90	50,55	
	-15	74,71	35,17		57,63	41,95		44,70	48,27	

## Get In Touch

Call: 0845 6880112  
 Email: [info@adremit.co.uk](mailto:info@adremit.co.uk)

## Our Address

Puravent, Adremit Limited, Unit 5a, Commercial Yard,  
 Settle, North Yorkshire, BD24 9RH



		LH 520								
		Max. fan speed			Med. fan speed			Min. fan speed		
Air flow rate	m <sup>3</sup> /h	5.200			3.300			2.450		
Fan speed rpm	1/min	700 – 900 - 1400								
Electrical power	W	150								
Electr. power supply	V	230								
Max. electr. current	A	Max. 1,40								
Weight	kg	29								
Water flow rate	l	12,5								
Connection	inch	1								
Noise level	dB(A)	53			49			47		
<b>Heating medium</b>	t1 °C	Q kW	t2 °C	Δ P kPa	Q kW	t2 °C	Δ P kPa	Q kW	t2 °C	Δ P kPa
<b>LTHW 50 / 40°C</b>	20	14,20	28,00	5	11,80	31,00	4	10,10	32,00	3
	15	17,50	25,00	7	14,70	28,00	5	12,80	30,00	4
	10	24,47	23,47		18,47	26,01		15,21	27,76	
	5	28,36	20,35		21,40	23,25		17,61	25,23	
	0	32,28	17,17		24,35	20,42		20,05	22,69	
	-5	36,23	13,94		27,34	17,52		22,51	19,97	
	-10	40,22	10,64		30,35	14,54		24,99	17,22	
	-15	44,24	7,28		33,40	11,50		27,51	14,41	
<b>LTHW 60 / 40°C</b>	20	13,16	27,50	1	10,66	29,60	1	9,26	31,30	1
	15	17,70	24,90	2	14,22	27,60	1	12,20	29,50	1
	10	26,32	24,48		19,98	27,32		16,50	29,27	
	5	30,26	21,38		22,96	24,58		18,96	26,78	
	0	34,22	18,20		25,94	21,75		21,43	24,20	
	-5	38,20	14,97		28,95	18,84		23,92	21,54	
	-10	42,19	11,65		31,98	15,86		26,43	18,79	
	-15	46,22	8,28		35,04	12,81		28,96	15,96	
<b>LTHW 70 / 50°C</b>	20	22,52	32,90	3	18,95	37,10	2	16,36	39,80	2
	15	25,90	29,50	4	21,77	34,30	3	19,17	37,80	2
	10	34,33	28,89		26,01	32,55		21,46	35,06	
	5	38,27	25,71		28,98	28,71		23,91	32,46	
	0	42,24	22,47		31,98	26,81		26,38	29,79	
	-5	46,23	19,16		35,00	23,38		28,88	27,04	
	-10	50,25	15,79		38,05	20,77		31,41	24,21	
	-15	54,31	12,35		41,13	17,64		33,97	21,30	
<b>LTHW 80 / 60°C</b>	20	29,57	36,90	5	24,77	42,30	4	21,74	46,40	3
	15	32,97	33,50	6	27,61	39,40	4	24,24	43,90	3
	10	42,20	33,22		31,91	37,66		26,30	40,71	
	5	46,15	29,98		34,90	34,76		28,76	38,04	
	0	50,14	26,67		37,91	31,78		31,26	35,29	
	-5	54,17	23,31		40,95	28,73		33,78	32,47	
	-10	58,22	19,88		44,03	25,61		36,33	29,57	
	-15	62,32	16,38		47,14	22,41		38,90	26,58	
<b>LTHW 90 / 70°C</b>	20	36,60	41,00	7	30,60	47,00	5	26,70	53,00	4
	15	40,10	37,00	8	33,50	44,00	6	29,20	50,00	5
	10	49,99	37,51		37,73	42,71		31,06	46,27	
	5	53,98	34,21		40,74	39,74		33,55	43,53	
	0	58,00	30,85		43,79	36,70		36,06	40,72	
	-5	62,05	27,43		46,86	33,59		38,60	37,82	
	-10	66,14	23,94		49,97	30,40		41,98	34,85	
	-15	70,26	20,38		53,11	27,14		43,78	31,80	

## Get In Touch

Call: 0845 6880112  
 Email: [info@adremit.co.uk](mailto:info@adremit.co.uk)

## Our Address

Puravent, Adremit Limited, Unit 5a, Commercial Yard,  
 Settle, North Yorkshire, BD24 9RH



		LH 530								
		Max. fan speed			Med. fan speed			Min. fan speed		
Air flow rate	m <sup>3</sup> /h	4.900			3.150			2.200		
Fan speed rpm	1/min	700 – 900 - 1400								
Electrical power	W	150								
Electr. power supply	V	230								
Max. electr. current	A	Max. 1,40								
Weight	kg	32								
Water flow rate	l	16,2								
Connection	inch	1¼								
Noise level	dB(A)	53			49			47		
<b>Heating medium</b>	t1 °C	Q kW	t2 °C	Δ P kPa	Q kW	t2 °C	Δ P kPa	Q kW	t2 °C	Δ P kPa
<b>LTHW 50 / 40°C</b>	20	19,40	32,00	6	15,70	35,00	4	12,70	37,00	3
	15	23,80	29,00	9	19,30	33,00	6	16,00	26,00	5
	10	32,19	28,79		23,90	31,70		18,49	34,05	
	5	37,24	26,39		27,64	29,69		21,38	32,35	
	0	42,35	23,91		31,43	27,60		24,31	30,57	
	-5	47,52	21,36		32,27	25,43		27,29	28,72	
	-10	52,75	18,73		39,17	23,18		30,32	26,78	
	-15	58,05	16,03		43,13	20,86		33,40	24,76	
<b>LTHW 60 / 40°C</b>	20	19,58	31,90	2	15,83	34,50	1	12,55	37,00	1
	15	25,39	30,10	3	19,92	33,50	2	16,05	36,30	1
	10	35,24	30,58		26,36	33,94		20,51	36,68	
	5	40,38	28,19		30,18	31,96		23,48	35,04	
	0	45,56	25,72		34,03	29,89		26,47	33,29	
	-5	50,78	23,16		37,29	27,72		29,50	31,44	
	-10	56,04	20,52		41,85	25,45		32,57	29,50	
	-15	61,38	17,80		45,84	23,11		35,68	27,47	
<b>LTHW 70 / 50°C</b>	20	30,90	38,70	4	25,27	43,80	3	20,56	47,80	2
	15	35,43	36,10	5	28,94	41,80	4	23,98	46,80	3
	10	45,48	36,56		33,91	40,80		26,33	44,24	
	5	50,63	34,08		37,74	38,71		29,30	42,48	
	0	55,83	31,52		41,60	36,53		32,30	40,62	
	-5	61,09	28,88		45,52	34,28		35,35	38,67	
	-10	66,41	26,17		49,50	31,93		38,45	36,64	
	-15	71,79	23,37		53,53	29,50		41,59	34,51	
<b>LTHW 80 / 60°C</b>	20	40,14	44,30	6	32,63	50,80	4	26,93	56,40	3
	15	44,70	41,60	8	36,33	48,70	5	29,97	54,80	4
	10	55,55	42,43		41,31	47,32		32,00	51,62	
	5	60,74	39,88		45,16	45,35		34,99	49,76	
	0	65,98	37,25		49,07	43,09		38,03	47,82	
	-5	71,29	34,54		53,03	40,76		41,12	45,79	
	-10	76,66	31,75		57,05	38,33		44,26	43,68	
	-15	82,09	28,87		61,14	35,83		47,45	41,48	
<b>LTHW 90 / 70°C</b>	20	49,40	50,00	9	39,80	58,00	6	32,90	64,00	4
	15	54,00	47,00	10	43,50	56,00	7	36,00	63,00	5
	10	65,51	48,21		48,63	54,17		37,62	58,93	
	5	70,74	45,63		52,52	51,92		40,65	57,00	
	0	76,03	42,92		56,48	49,60		43,73	54,98	
	-5	81,39	40,14		60,48	47,19		46,85	52,88	
	-10	86,82	37,28		64,55	44,69		50,04	50,69	
	-15	92,32	34,34		68,68	42,10		53,27	48,41	

## Get In Touch

Call: 0845 6880112  
 Email: [info@adremit.co.uk](mailto:info@adremit.co.uk)

## Our Address

Puravent, Adremit Limited, Unit 5a, Commercial Yard,  
 Settle, North Yorkshire, BD24 9RH



		<b>LH 620</b>					
		<i>Max. fan speed</i>			<i>Med. fan speed</i>		
Air flow rate	m³/h	6.700			4.550		
Fan speed rpm	1/min	700 – 900					
Electrical power	W	245					
Electr.power supply	V	400					
Max. electr. current	A	Max. 1,04					
Weight	kg	40					
Water flow rate	l	14,1					
Connection	inch	1					
Noise level	dB(A)	52			46		
<b>Heating medium</b>	t1 °C	Q kW	t12 °C	Δ P kPa	Q kW	t12 °C	Δ P kPa
<b>LTHW 50 / 40°C</b>	20	17,20	28,00	6	14,90	30,00	4
	15	21,30	24,00	8	18,40	27,00	6
	10	30,42	22,99		24,05	25,12	
	5	35,25	19,81		27,86	22,23	
	0	40,11	16,56		31,70	19,27	
	-5	45,01	13,26		35,58	16,25	
	-10	49,96	9,90		39,49	13,16	
	-15	54,94	6,47		43,45	10,00	
<b>LTHW 60 / 40°C</b>	20	16,46	27,3	1	13,71	29	1
	15	22,04	24,6	2	18,38	26,8	2
	10	32,73	23,98		26,02	26,36	
	5	37,62	20,80		29,88	23,48	
	0	42,53	17,56		33,76	20,52	
	-5	47,46	14,25		37,68	17,49	
	-10	52,42	10,88		41,59	14,39	
	-15	57,42	7,44		45,56	11,22	
<b>LTHW 70 / 50°C</b>	20	27,42	32,20	3	23,79	35,50	3
	15	31,53	28,70	4	27,34	32,50	3
	10	42,67	28,22		33,81	31,26	
	5	47,56	24,97		37,68	28,30	
	0	52,47	21,66		41,57	25,27	
	-5	57,42	18,29		45,50	22,10	
	-10	62,41	14,86		49,46	19,01	
	-15	67,44	11,36		53,46	15,77	
<b>LTHW 80 / 60°C</b>	20	36,00	36,00	5	31,12	40,30	4
	15	40,13	32,50	7	34,69	37,30	5
	10	52,43	32,39		41,53	36,11	
	5	57,34	29,08		45,41	33,09	
	0	62,29	25,72		49,32	29,99	
	-5	67,28	22,29		53,27	26,82	
	-10	72,31	18,80		57,26	23,58	
	-15	77,38	15,24		61,29	20,28	
<b>LTHW 90 / 70°C</b>	20	44,50	40,00	8	38,50	45,00	6
	15	48,60	36,00	9	42,10	42,00	7
	10	62,12	36,52		49,11	40,88	
	5	67,06	33,17		53,02	37,79	
	0	72,05	29,75		56,97	34,63	
	-5	77,07	26,26		60,95	31,41	
	-10	82,13	22,71		64,98	28,11	
	-15	87,44	19,10		69,05	24,74	

## Get In Touch

Call: 0845 6880112  
 Email: [info@adremit.co.uk](mailto:info@adremit.co.uk)

## Our Address

Puravent, Adremit Limited, Unit 5a, Commercial Yard,  
 Settle, North Yorkshire, BD24 9RH



		<b>LH 630</b>					
		<i>Max. fan speed</i>			<i>Med. fan speed</i>		
Air flow rate	m³/h	6.700			4.250		
Fan speed rpm	1/min	700 – 900					
Electrical power	W	245					
Electr.power supply	V	400					
Max. electr. current	A	Max. 1,04					
Weight	kg	43					
Water flow rate	l	18,5					
Connection	inch	1¼					
Noise level	dB(A)	52			46		
<b>Heating medium</b>	t1 °C	Q kW	t12 °C	Δ P kPa	Q kW	t12 °C	Δ P kPa
<b>LTHW 50 / 40°C</b>	20	23,00	31,00	5	19,10	33,00	3
	15	28,40	28,00	7	23,90	32,00	5
	10	39,25	28,11		30,56	30,57	
	5	45,47	25,64		35,04	28,44	
	0	51,76	23,09		40,29	26,23	
	-5	58,12	20,48		42,25	23,94	
	-10	64,55	17,78		50,28	21,57	
	-15	71,07	15,02		55,38	19,12	
<b>LTHW 60 / 40°C</b>	20	21,46	30,30	1	17,64	32,30	1
	15	28,73	28,50	2	23,38	31,10	1
	10	42,61	29,66		33,41	32,49	
	5	48,93	27,21		38,34	30,38	
	0	55,30	24,67		43,30	28,19	
	-5	61,73	22,06		48,32	25,90	
	-10	68,20	19,35		53,39	23,52	
	-15	74,75	16,57		58,51	21,05	
<b>LTHW 70 / 50°C</b>	20	36,78	37,60	3	31,08	41,70	2
	15	42,25	34,90	4	35,78	39,60	3
	10	55,30	35,52		43,23	39,10	
	5	61,63	32,98		48,17	36,90	
	0	68,02	30,35		53,16	34,60	
	-5	74,49	27,65		58,20	32,22	
	-10	81,03	24,87		63,32	29,75	
	-15	87,64	22,02		68,50	27,21	
<b>LTHW 80 / 60°C</b>	20	48,05	43,00	4	40,53	48,30	3
	15	53,57	40,20	5	45,17	46,00	4
	10	67,77	41,27		52,86	45,58	
	5	74,15	38,66		57,83	43,29	
	0	80,60	35,96		62,86	40,92	
	-5	87,13	33,19		67,97	38,46	
	-10	93,72	30,34		73,14	35,92	
	-15	100,40	27,41		78,39	33,20	
<b>LTHW 90 / 70°C</b>	20	59,20	48,00	6	49,70	55,00	5
	15	64,70	46,00	7	54,40	53,00	5
	10	80,09	46,96		62,36	51,98	
	5	86,52	44,27		67,38	49,61	
	0	93,02	41,51		72,47	47,17	
	-5	99,61	38,66		77,63	44,64	
	-10	106,27	35,74		82,86	42,03	
	-15	113,02	32,74		88,17	39,33	

## Get In Touch

Call: 0845 6880112  
 Email: [info@adremit.co.uk](mailto:info@adremit.co.uk)

## Our Address

Puravent, Adremit Limited, Unit 5a, Commercial Yard,  
 Settle, North Yorkshire, BD24 9RH



		<b>LH 720</b>					
		<i>Max. fan speed</i>			<i>Min. fan speed</i>		
Air flow rate	m <sup>3</sup> /h	8.500			6.550		
Fan speed rpm	1/min	700 – 900					
Electrical power	W	260					
Electr. power supply	V	400					
Max. electr. current	A	Max. 1,40					
Weight	kg	58					
Water flow rate	l	18,8					
Connection	inch	1¼					
Noise level	dB(A)	52			46		
<b>Heating medium</b>	t1 °C	Q kW	t12 °C	Δ P kPa	Q kW	t12 °C	Δ P kPa
<b>LTHW 50 / 40°C</b>	20	24,50	29,00	4	22,00	30,00	3
	15	30,30	25,00	6	27,40	27,00	5
	10	41,44	23,95		32,57	25,40	
	5	48,05	20,91		40,88	22,57	
	0	54,71	17,80		46,55	19,66	
	-5	61,42	14,64		52,27	16,69	
	-10	68,19	11,41		58,04	13,65	
	-15	75,03	8,12		63,87	10,54	
<b>LTHW 60 / 40°C</b>	20	21,02	27,30	1	18,44	28,40	1
	15	29,53	25,10	1	25,81	26,50	1
	10	44,48	24,97		38,00	26,60	
	5	51,18	21,95		43,71	23,78	
	0	57,91	18,85		49,42	20,87	
	-5	64,66	15,87		55,18	17,89	
	-10	71,47	12,44		60,98	14,85	
	-15	78,33	9,13		66,84	11,72	
<b>LTHW 70 / 50°C</b>	20	39,06	33,70	2	35,80	36,10	2
	15	44,93	30,40	3	40,68	33,10	3
	10	58,11	29,56		49,56	31,66	
	5	64,80	26,45		55,28	28,75	
	0	71,55	23,29		61,02	25,77	
	-5	78,34	20,05		66,81	22,72	
	-10	85,19	16,76		72,65	19,60	
	-15	92,10	13,37		78,54	16,40	
<b>LTHW 80 / 60°C</b>	20	51,30	37,90	4	46,35	41,00	4
	15	57,22	34,70	4	51,69	38,00	3
	10	71,48	34,06		60,93	36,61	
	5	78,21	30,89		66,65	33,64	
	0	84,99	27,66		72,42	30,59	
	-5	91,84	24,36		78,25	27,47	
	-10	98,74	21,00		84,14	24,28	
	-15	105,71	17,57		90,09	21,02	
<b>LTHW 90 / 70°C</b>	20	63,40	42,00	6	57,70	46,00	5
	15	69,40	39,00	7	62,70	43,00	6
	10	84,73	38,52		72,13	41,51	
	5	91,51	35,30		77,89	38,46	
	0	98,34	32,01		83,71	35,36	
	-5	105,24	28,65		89,60	32,18	
	-10	112,19	25,22		95,54	28,92	
	-15	119,21	21,73		101,55	25,60	

## Get In Touch

Call: 0845 6880112  
 Email: [info@adremit.co.uk](mailto:info@adremit.co.uk)

## Our Address

Puravent, Adremit Limited, Unit 5a, Commercial Yard,  
 Settle, North Yorkshire, BD24 9RH



		<b>LH 730</b>					
		<i>Max fan speed</i>			<i>Min. fan speed</i>		
Air flow rate	m <sup>3</sup> /h	7.700			6.100		
Fan speed rpm	1/min	700 – 900					
Electrical power	W	260					
Electr. power supply	V	400					
Max. electr. current	A	Max. 1,40					
Weight	kg	58					
Water flow rate	l	25,4					
Connection	inch	1¼					
Noise level	dB(A)	52			46		
<b>Heating medium</b>	t1 °C	Q kW	t2 °C	Δ P kPa	Q kW	t2 °C	Δ P kPa
<b>LTHW 50 / 40°C</b>	20	31,90	32,00	3	27,90	34,00	3
	15	39,70	30,00	5	35,50	32,00	4
	10	52,30	29,43		44,67	30,95	
	5	60,60	27,15		51,76	28,88	
	0	69,01	24,79		58,93	26,73	
	-5	77,51	22,36		66,21	24,50	
	-10	86,14	19,85		73,59	22,19	
	-15	94,87	17,26		81,07	19,80	
<b>LTHW 60 / 40°C</b>	20	27,42	30,60	1	24,16	31,80	1
	15	37,96	29,40	1	33,06	30,80	1
	10	56,79	31,10		48,74	32,86	
	5	65,26	28,85		55,97	30,82	
	0	73,79	26,51		63,27	28,79	
	-5	82,39	24,08		70,62	26,47	
	-10	91,08	21,56		78,06	24,15	
	-15	99,87	18,96		85,59	21,74	
<b>LTHW 70 / 50°C</b>	20	51,43	39,80	2	45,42	42,10	2
	15	59,08	37,40	3	53,07	40,40	2
	10	73,76	37,41		63,19	39,64	
	5	82,23	35,05		70,43	37,49	
	0	90,79	32,62		77,75	35,26	
	-5	99,46	30,10		85,15	32,94	
	-10	108,22	27,51		92,66	30,53	
	-15	117,10	24,83		100,27	28,05	
<b>LTHW 80 / 60°C</b>	20	67,09	45,90	3	60,12	49,30	3
	15	74,80	43,40	4	67,01	47,10	3
	10	90,39	43,58		77,29	46,25	
	5	98,92	41,15		84,58	44,02	
	0	107,56	38,64		91,97	41,71	
	-5	116,30	36,05		99,46	39,31	
	-10	125,15	33,37		107,05	36,83	
	-15	134,11	30,61		114,76	34,26	
<b>LTHW 90 / 70°C</b>	20	82,60	52,00	5	73,70	56,00	4
	15	90,40	49,00	6	80,70	54,00	5
	10	106,80	49,68		91,22	52,78	
	5	115,40	47,18		98,59	50,48	
	0	124,12	44,59		106,05	48,06	
	-5	132,95	41,93		113,63	45,63	
	-10	141,90	39,18		121,32	43,07	
	-15	150,98	36,35		129,12	40,43	

## Get In Touch

Call: 0845 6880112  
 Email: [info@adremit.co.uk](mailto:info@adremit.co.uk)

## Our Address

Puravent, Adremit Limited, Unit 5a, Commercial Yard,  
 Settle, North Yorkshire, BD24 9RH







		LH 920					
		Max. fan speed			Min. fan speed		
Air flow rate	m <sup>3</sup> /h	12.550			8.950		
Fan speed rpm	1/min	700 – 900					
Electrical power	W	490					
Electr. power supply	V	400					
Max. electr. current	A	Max. 2,08					
Weight	kg	70					
Water flow rate	l	21,5					
Connection	inch	1¼					
Noise level	dB(A)	52			46		
<b>Heating medium</b>	t1 °C	Q kW	t2 °C	Δ P kPa	Q kW	t2 °C	Δ P kPa
<b>LTHW 50 / 40°C</b>	20	32,50	28,00	8	28,70	30,00	7
	15	40,10	24,00	12	35,30	27,00	9
	10	57,16	23,03		46,60	24,89	
	5	66,16	19,84		53,92	21,95	
	0	75,22	16,58		61,30	18,95	
	-5	84,35	13,27		68,75	15,88	
	-10	93,56	9,89		76,27	12,74	
	-15	102,85	6,46		83,87	9,54	
<b>LTHW 60 / 40°C</b>	20	33,74	28,00	2	28,52	29,50	2
	15	43,74	25,10	3	37,65	27,30	3
	10	61,86	24,10		50,67	26,20	
	5	70,98	20,92		58,01	23,27	
	0	80,13	17,66		65,54	20,26	
	-5	89,32	14,34		73,04	17,18	
	-10	98,57	10,96		80,60	14,03	
	-15	107,88	7,51		88,22	10,81	
<b>LTHW 70 / 50°C</b>	20	51,82	32,30	4	45,81	35,20	4
	15	59,47	28,80	6	52,54	32,10	5
	10	80,29	28,30		65,69	31,00	
	5	89,40	25,05		73,11	27,99	
	0	98,58	21,73		80,60	24,91	
	-5	107,81	18,35		88,14	21,76	
	-10	117,12	14,90		95,74	18,53	
	-15	126,50	11,40		103,60	15,26	
<b>LTHW 80 / 60°C</b>	20	67,69	36	7	59,67	39,8	5
	15	75,39	32,5	8	66,45	36,7	7
	10	98,44	32,44		80,37	35,69	
	5	107,59	29,12		87,83	32,62	
	0	116,81	25,75		95,35	29,47	
	-5	126,11	22,31		102,94	26,26	
	-10	135,49	18,81		110,61	22,98	
	-15	144,95	15,25		118,35	19,63	
<b>LTHW 90 / 70°C</b>	20	83,40	40,00	11	73,40	44,00	9
	15	91,20	36,00	13	80,20	41,00	10
	10	116,45	36,55		94,92	40,34	
	5	125,66	33,18		102,63	37,21	
	0	134,95	29,75		110,02	34,01	
	-5	144,31	26,25		117,62	30,74	
	-10	153,74	22,69		125,42	27,39	
	-15	163,26	19,07		133,23	23,98	

## Get In Touch

Call: 0845 6880112  
 Email: [info@adremit.co.uk](mailto:info@adremit.co.uk)

## Our Address

Puravent, Adremit Limited, Unit 5a, Commercial Yard,  
 Settle, North Yorkshire, BD24 9RH



		<b>LH 930</b>					
		<i>Max. fan speed</i>			<i>Min. fan speed</i>		
Air flow rate	m <sup>3</sup> /h	10.900			8.400		
Fan speed rpm	1/min	700 – 900					
Electrical power	W	490					
Electr.power supply	V	400					
Max. electr. current	A	Max. 2,08					
Weight	kg	76					
Water flow rate	l	29,4					
Connection	inch	1¼					
Noise level	dB(A)	52			46		
<b>Heating medium</b>	t1 °C	Q kW	t2 °C	Δ P kPa	Q kW	t2 °C	Δ P kPa
<b>LTHW 50 / 40°C</b>	20	42,50	32,00	7	37,80	33,00	6
	15	52,20	29,00	10	46,50	31,00	8
	10	70,95	28,62		59,71	30,34	
	5	82,09	26,19		69,07	28,14	
	0	93,35	23,69		78,54	25,86	
	-5	104,74	21,12		88,14	23,52	
	-10	116,28	18,47		97,86	21,09	
	-15	127,96	15,74		107,72	18,58	
<b>LTHW 60 / 40°C</b>	20	43,11	31,80	2	37,02	33,10	1
	15	56,36	30,10	3	48,89	32,00	2
	10	77,66	30,38		65,68	32,37	
	5	88,99	27,98		75,21	30,20	
	0	100,40	25,98		84,81	27,93	
	-5	111,89	22,90		94,51	25,56	
	-10	123,50	20,23		104,30	23,14	
	-15	135,24	17,49		114,21	20,61	
<b>LTHW 70 / 50°C</b>	20	67,93	38,50	4	60,59	41,40	3
	15	77,86	35,90	5	69,40	39,10	4
	10	100,23	36,31		84,61	38,82	
	5	111,57	33,81		94,15	36,54	
	0	123,04	31,23		103,80	34,18	
	-5	134,62	28,57		113,55	31,74	
	-10	146,35	25,83		123,45	29,22	
	-15	158,21	23,01		133,47	26,61	
<b>LTHW 80 / 60°C</b>	20	88,19	44,00	6	78,41	47,70	5
	15	98,19	41,30	7	87,29	45,40	6
	10	122,43	42,13		103,14	45,13	
	5	133,46	39,56		112,76	42,78	
	0	145,43	36,91		122,50	40,34	
	-5	157,11	34,17		132,37	37,83	
	-10	168,94	31,36		142,37	35,23	
	-15	180,91	28,46		152,52	32,55	
<b>LTHW 90 / 70°C</b>	20	108,30	50,00	9	96,10	54,00	8
	15	118,40	47,00	11	105,10	52,00	9
	10	144,40	47,90		121,50	51,38	
	5	155,92	45,25		131,21	48,96	
	0	167,58	42,53		141,06	46,45	
	-5	179,38	39,73		151,04	43,87	
	-10	191,34	36,84		161,16	41,20	
	-15	203,45	33,88		171,42	38,99	

## Get In Touch

Call: 0845 6880112  
 Email: [info@adremit.co.uk](mailto:info@adremit.co.uk)

## Our Address

Puravent, Adremit Limited, Unit 5a, Commercial Yard,  
 Settle, North Yorkshire, BD24 9RH



## POSITIONING

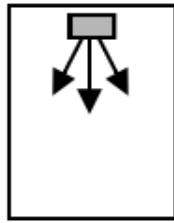
The heater installation point must be selected by the planner or a person qualified to handle such matters: all technical requirements, standards and laws in force must be taken into account. Installation of the water-fed fan heater must be carried out by a company qualified as per valid law and regulations. You may need to make a planning application to ensure that you comply with architectural, fire prevention, and pollution prevention laws. Always obtain the necessary authorisation before going ahead with installation.

For proper installation always observe the following minimum requisites:

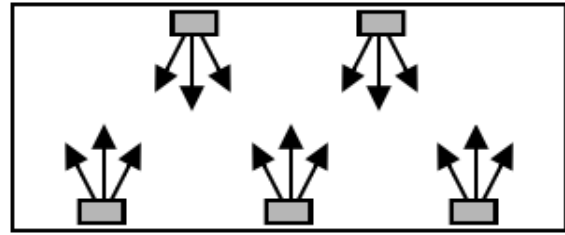
- Position the unit on a dry level surface capable of sustaining its weight;
- Ensure that the unit is positioned in such a way as to ensure proper air flow and allow cleaning and maintenance to be carried out.

**⚠ Select the appropriate model on the basis of performance data for medium or minimum fan speed.**

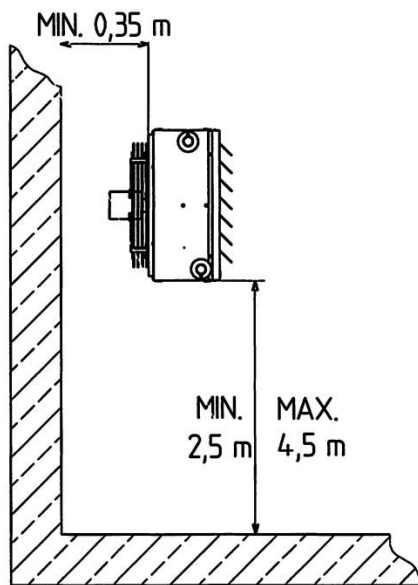
Example of installation in a small room



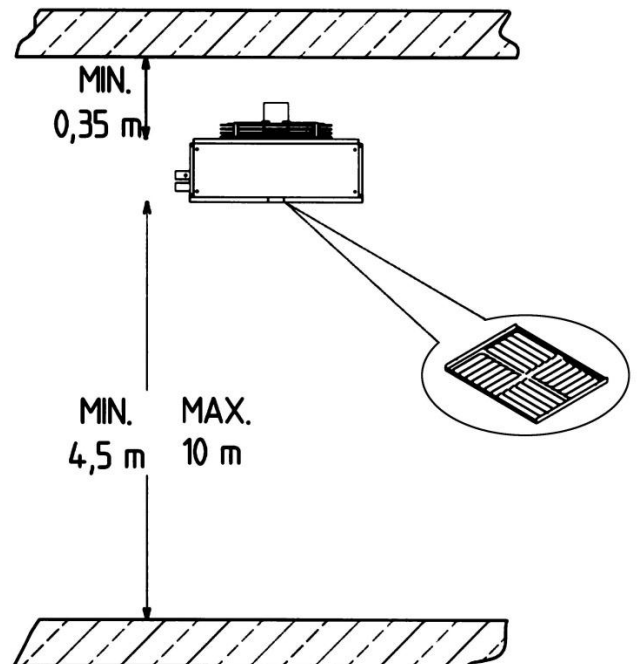
Example of installation in a large room/ area



Example of vertical installation



Example of ceiling installation



The shelves can be mounted either above or beneath the unit depending on installation requirement.

### Get In Touch

Call: 0845 6880112  
Email: [info@adremit.co.uk](mailto:info@adremit.co.uk)

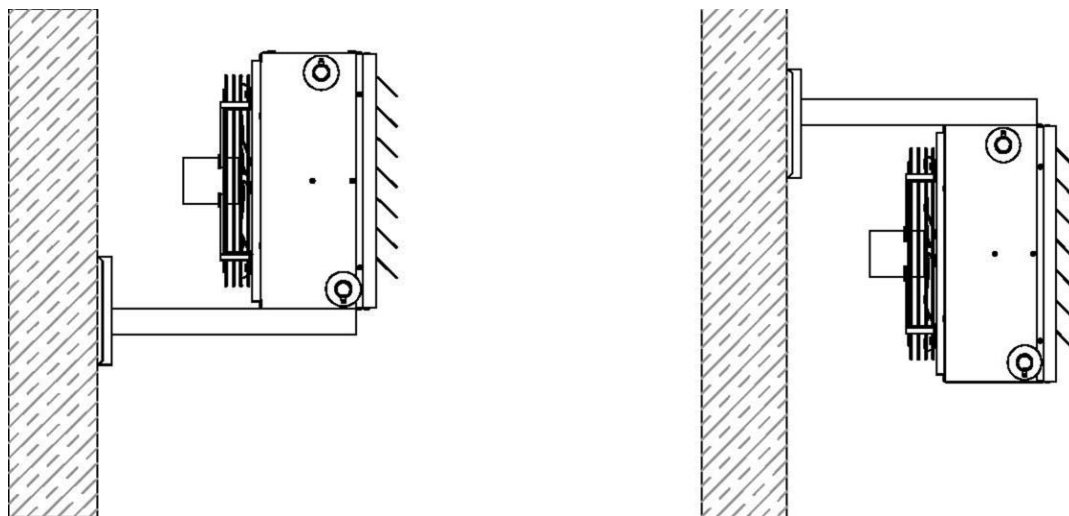
### Our Address

Puravent, Adremit Limited, Unit 5a, Commercial Yard, Settle, North Yorkshire, BD24 9RH



# KIT FOR SHELF INSTALLATION

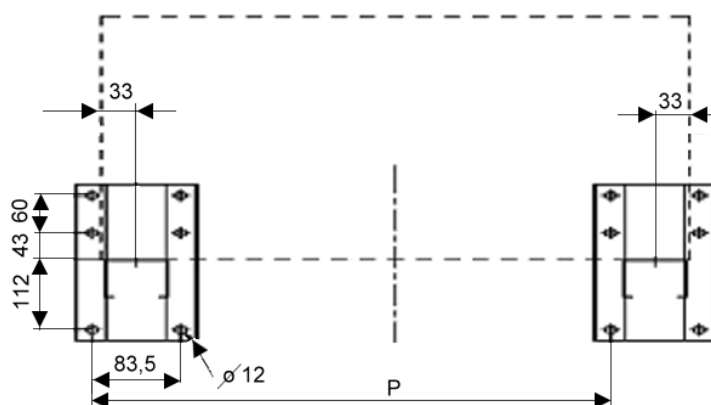
The shelves can be mounted either above or beneath the unit depending on installation requirement.



To assemble, proceed as follows:

- Drill holes in the walls as per the template;
- Attach the shelves to the walls using suitable fixing items (not supplied).
- Mount the heater on the shelves and fix in place using the supplied screws and threaded inserts.

Drilling template with shelves applied underneath heater unit.



Typ LH/X	120	130	220	230	320	330	420	430	520	530	620	630	720	730	920	930	
P	489		539		639		689		739		789		1.139		1.339		mm

The diameter of the shelf plate fixing holes is 12mm.

### Get In Touch

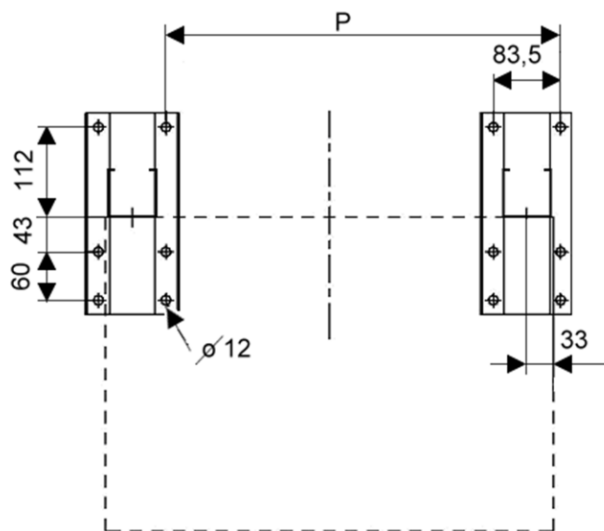
Call: [0845 6880112](tel:08456880112)  
 Email: [info@adremit.co.uk](mailto:info@adremit.co.uk)

### Our Address

Puravent, Adremit Limited, Unit 5a, Commercial Yard,  
 Settle, North Yorkshire, BD24 9RH



### Drilling Template with shelves applied over heater unit



Typ LH/X	120	130	220	230	320	330	420	430	520	530	620	630	720	730	920	930	
P	489		539		639		689		739		789		1.139		1.339		mm

The diameter of shelf plate fixing holes is 12mm.



**WARNING !**



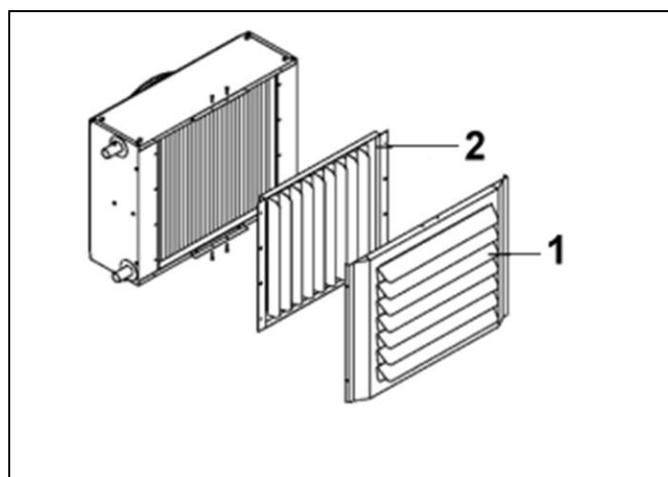
The support shelves are sized to support one heater unit only. The Manufacturer cannot be held liable for any damages, that may result from improper attachment of the shelves to the wall.

It is forbidden to climb up on the shelves

### VERTICAL FIN KIT INSTALLATION

To install the VERTICAL FIN KIT proceed as follows:

- Disassemble the horizontal-fin air outflow grating (1).
- Position and fix the panel with the vertical fins (2).
- Re-assemble the panel with the horizontal fins (1).
- Adjust both vertical and horizontal fins as desired.



#### Get In Touch

Call: 0845 6880112  
 Email: [info@adremit.co.uk](mailto:info@adremit.co.uk)

#### Our Address

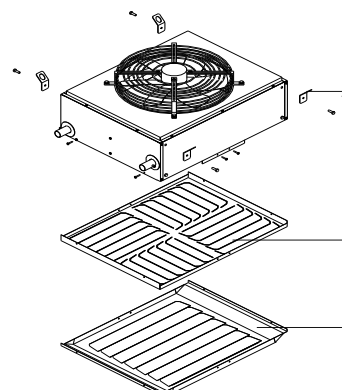
Puravent, Adremit Limited, Unit 5a, Commercial Yard, Settle, North Yorkshire, BD24 9RH



## INSTALLING THE CEILING MOUNTING KIT

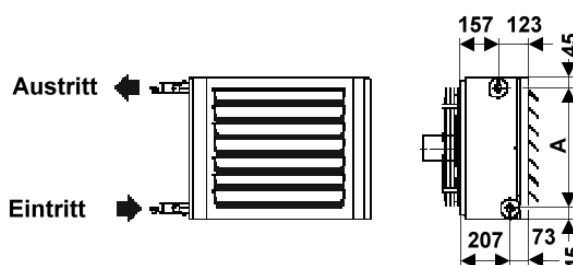
To install the CEILING MOUNTING KIT proceed as follows:

- Dissassemble the air outflow grating (1).
- Position and fix the ceiling kit outflow grating (2).
- Fix the suspension eyebolts (3) inside the threaded inserts.
- Adjust the fins.



## WATER COUPLING DIMENSIONS

The unit is assembled in the factory with the water connection souplings on the left (as seen from the air outflow grating).



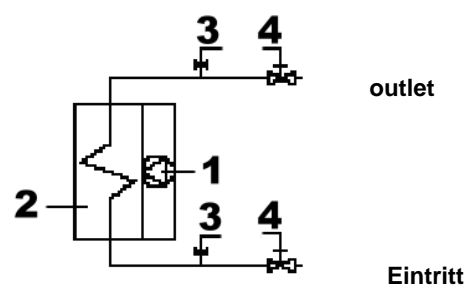
Typ LH/X	120	130	220	230	320	330	420	430	520	530	620	630	720	730	920	930	
A	300		350		450		500		550		600		600		600		mm
Ø Anschluss	1		1		1		1		1		1 ¼		1 ¼		1 ¼		Zoll

For optimum performance it is essential that the water inlet-outlet directions always be observed as indicated by the adhesive label.

## WATER CIRCUIT DIAGRAM

KEY:

1. Helical fan(s)
2. Water-air exchanger
3. Manual air bleed
4. Spherical check valve (not supplied)



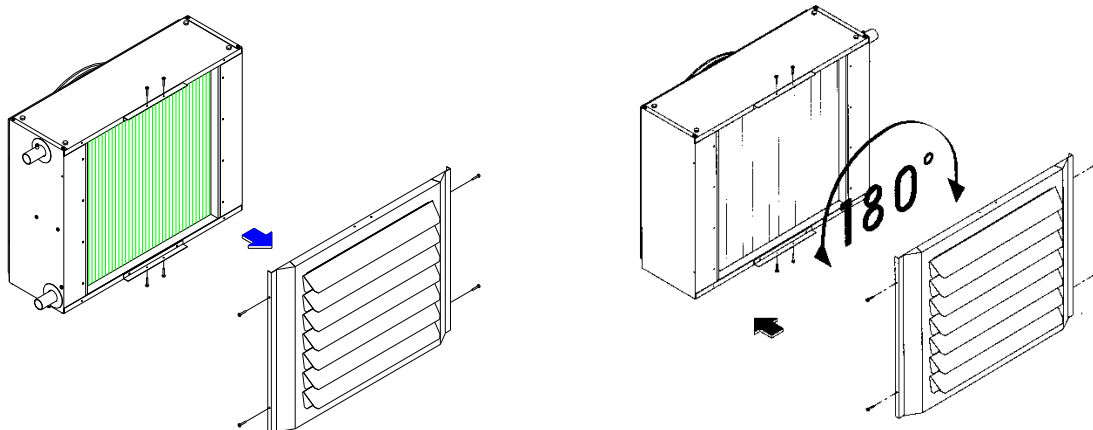
Install a drain valve at the lowest point in the water circuit to empty the system if necessary.



## INVERTING THE WATER CONNECTIONS

To switch the water connections from one side to the other proceed as follows:

- Dissamble the air outflow panel (1).
- Rotate the entire unit (2) 180°.
- Replace the air outflow panel (1).



It is essential that water inlet-outlet directions always are observed as indicated on the adhesive label.

## WATER CONNECTIONS

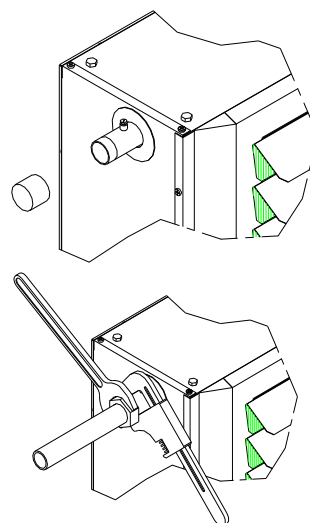


Selection and installation of water system components is the responsibility of the installer. The installer must observe correct working practices and the legislation in force at all times.

To connect up the water supply:

- Remove the plastic plugs from the water connection fittings.
- Connect up to the system as indicated in the diagram on page 38.

To prevent damage to the unit secure the heater water fittings by using the wrench-counterwrench method. To seal the threads use hemp and green paste. Using Teflon is inadvisable when anti-freeze is used.



### Get In Touch

Call: 0845 6880112  
 Email: [info@adremit.co.uk](mailto:info@adremit.co.uk)

### Our Address

Puravent, Adremit Limited, Unit 5a, Commercial Yard, Settle, North Yorkshire, BD24 9RH



## ELECTRICAL CONNECTIONS

The fan heater leaves the factory fully wired and needs only:

- To be connected to the mains;
- To be connected to a control device

Installation, near the unit, of apadlockable magneto-thermal omnipolar cut-out switch that complies with CEI-CEN standards (contact aperture of at least 3mm) is compulsory. It is compulsory to use systems that, in the event of a fan heater breakdown, isolate the faulty unit only without compromising the routine operation of any other units making up the overall system.

A proper earth connection is compulsory. It is forbidden to use gas or ater pipes to earth the unit. The manufacturer cannot be held liable for any damages caused by failure to provide a proper earth or any inobservance of the information conained in the wiring diagrams.

### Wire sizing table:

Type LH/X	Power supply  (V / Hz)	Max. Absorbed power  (W)	Max. Absorbed current  (A)
120-130	230V ~ 50Hz	80	0,40
220-230	230V ~ 50Hz	95	0,40
320-330	230V ~ 50Hz	140	0,70
420-430	230V ~ 50Hz	180	0,80
520-530	230V ~ 50Hz	150	1,40
620-630	400V 3N ~ 50Hz	245	1,04
720-730	400V 3N ~ 50Hz	260	1,40
920-930	400V 3N ~ 50Hz	490	2,08

### Get In Touch

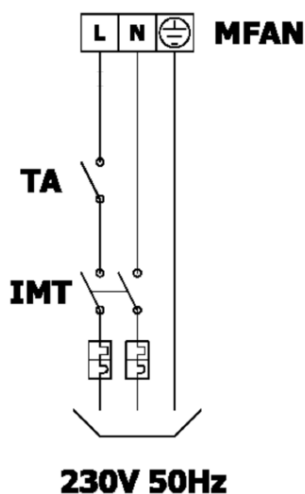
Call: [0845 6880112](tel:08456880112)  
 Email: [info@adremit.co.uk](mailto:info@adremit.co.uk)

### Our Address

Puravent, Adremit Limited, Unit 5a, Commercial Yard, Settle, North Yorkshire, BD24 9RH



**WIRING DIAGRAM TYPES LH/X 120 - 530**  
(Single phase 230V ~ 50Hz power supply)

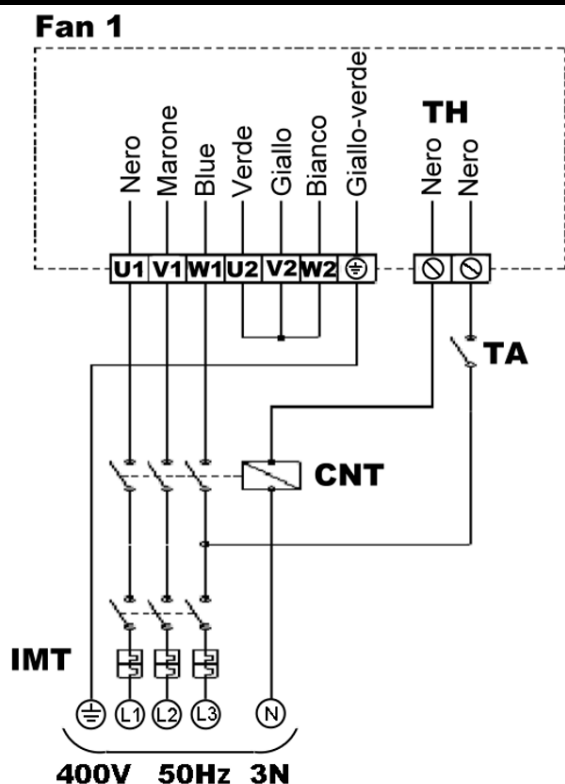


**Key:**

- MFAN** Fan connecting terminal
- 250V 50Hz 3N** Single-phase power supply
- TA<sup>(1)</sup>** Room-Thermostat
- IMT<sup>(1)</sup>** Differential magneto-thermal cut-out switch

(1) Not included: to be installed by the customer.

**WIRING DIAGRAM TYPES LH/X 620 – 930**  
(Star)  
(Single phase 230V ~ 50Hz 3N power supply)



**Key:**

- FAN1** Electric fan
- 400V 50Hz 3N** Tri-phase power supply
- CNT<sup>(1)</sup>** Line electromagnetic switch
- TA<sup>(1)</sup>** Room-Thermostat
- IMT<sup>(1)</sup>** Differential magneto-thermal cut-out switch

(1) Not included: to be installed by the customer.

**Wires colours:**

- Black = Nero
- Brown = Marrone
- Blue = Blue
- Green = Verde
- Yellow = Giallo
- White = Bianco
- Green-Yellow = giallo-verde

**Get In Touch**

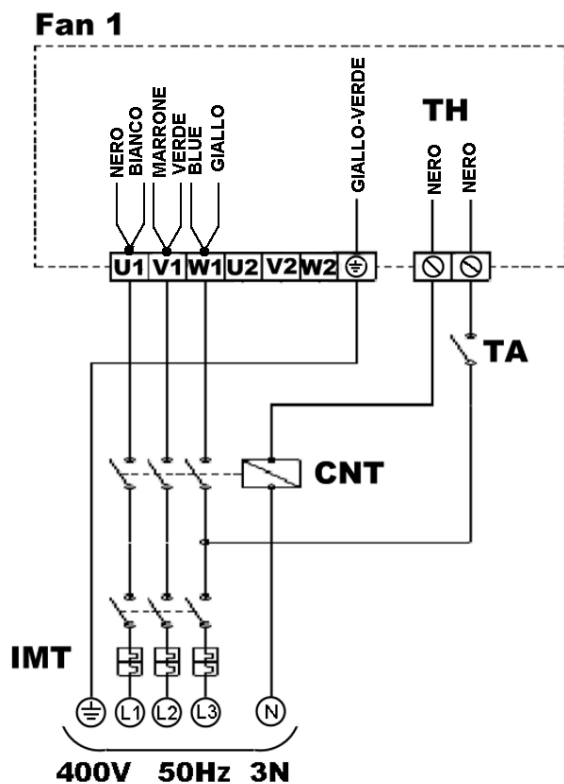
- Call: 0845 6880112
- Email: [info@adremit.co.uk](mailto:info@adremit.co.uk)

**Our Address**

Puravent, Adremit Limited, Unit 5a, Commercial Yard,  
Settle, North Yorkshire, BD24 9RH



**WIRING CONNECTION DIAGRAM TYPES LH/X 620-930  
( TRIANGLE )  
(Tri-phase 400V ~ 50Hz 3N power supply)**

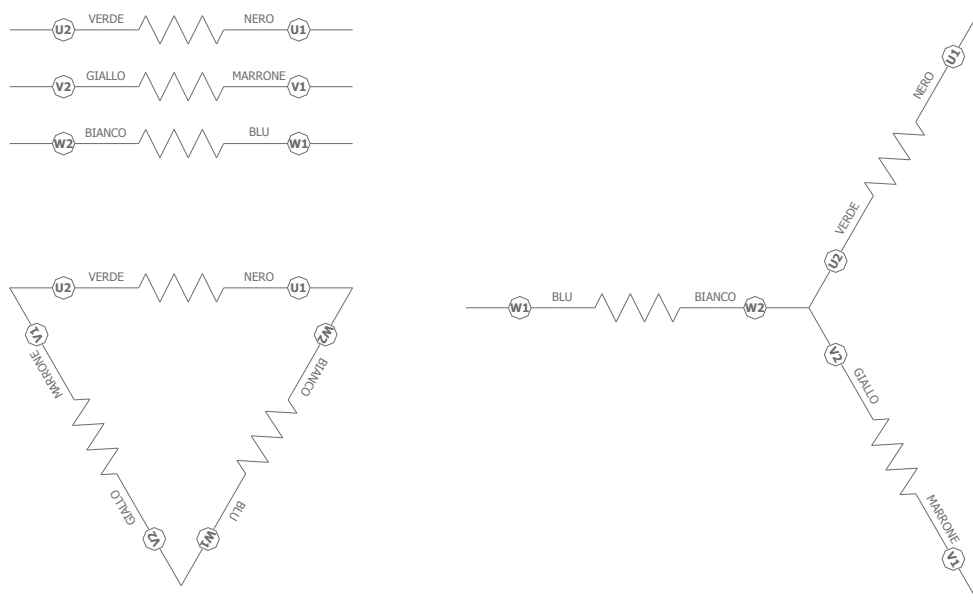


**Key:**

- FAN1** Electric fan
- 400V 50Hz 3N** Tri-phase power supply
- CNT<sup>(1)</sup>** Line electromagnetic switch
- TA<sup>(1)</sup>** Room-Thermostat
- IMT<sup>(1)</sup>** Differential magneto-thermal cut-out switch

(1) Not included: to be installed by the customer

**MOTOR- WINDINGS ELECTRICAL PLAN  
(For version with Tri-phase 400V ~ 50Hz 3N power supply)**



**Wires colours:**

- Black = Nero
- Brown = Marrone
- Blue = Blue
- Green = Verde
- Yellow = Giallo
- White = Bianco
- Green-Yellow = giallo-verde

**Get In Touch**

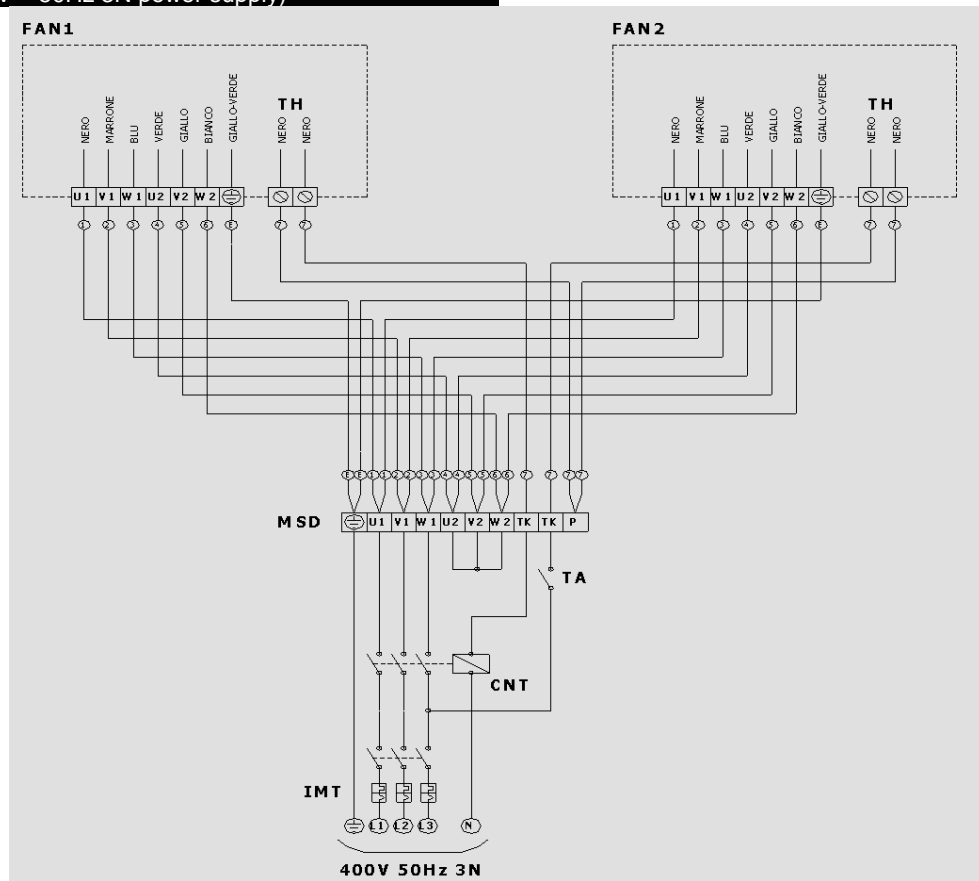
Call: 0845 6880112  
Email: [info@adremit.co.uk](mailto:info@adremit.co.uk)

**Our Address**

Puravent, Adremit Limited, Unit 5a, Commercial Yard,  
Settle, North Yorkshire, BD24 9RH

**WIRING CONNECTION DIAGRAM TYPES LH/X 620 - 930  
( STAR )**

For version with 2 fans and derivation box  
(Tri-phase 400V ~ 50Hz 3N power supply)



**Key:**

<b>FAN1</b>	Electric fan
<b>FAN2</b>	Electric fan
<b>MSD</b>	Connecting terminal for derivation box
<b>TH</b>	N.C. motor safety contact
<b>400V 50Hz 3N</b>	Tri-phase power supply
<b>CNT<sup>(1)</sup></b>	Line electromagnetic switch
<b>TA<sup>(1)</sup></b>	Room-Thermostat
<b>IMT<sup>(1)</sup></b>	Differential magneto thermal cut-out switch

**Cable colours plan:**

Name	Cable colour
<b>1</b>	Black
<b>2</b>	Brown
<b>3</b>	Blue
<b>4</b>	Green
<b>5</b>	Yellow
<b>6</b>	White
<b>E</b>	Yellow- Green

**Wires colours:**

Black = Nero  
 Brown = Marrone  
 Blue = Blue  
 Green = Verde  
 Yellow = Giallo  
 White = Bianco  
 Green-Yellow = giallo-verde

(1) Not included: to be installed by the customer.

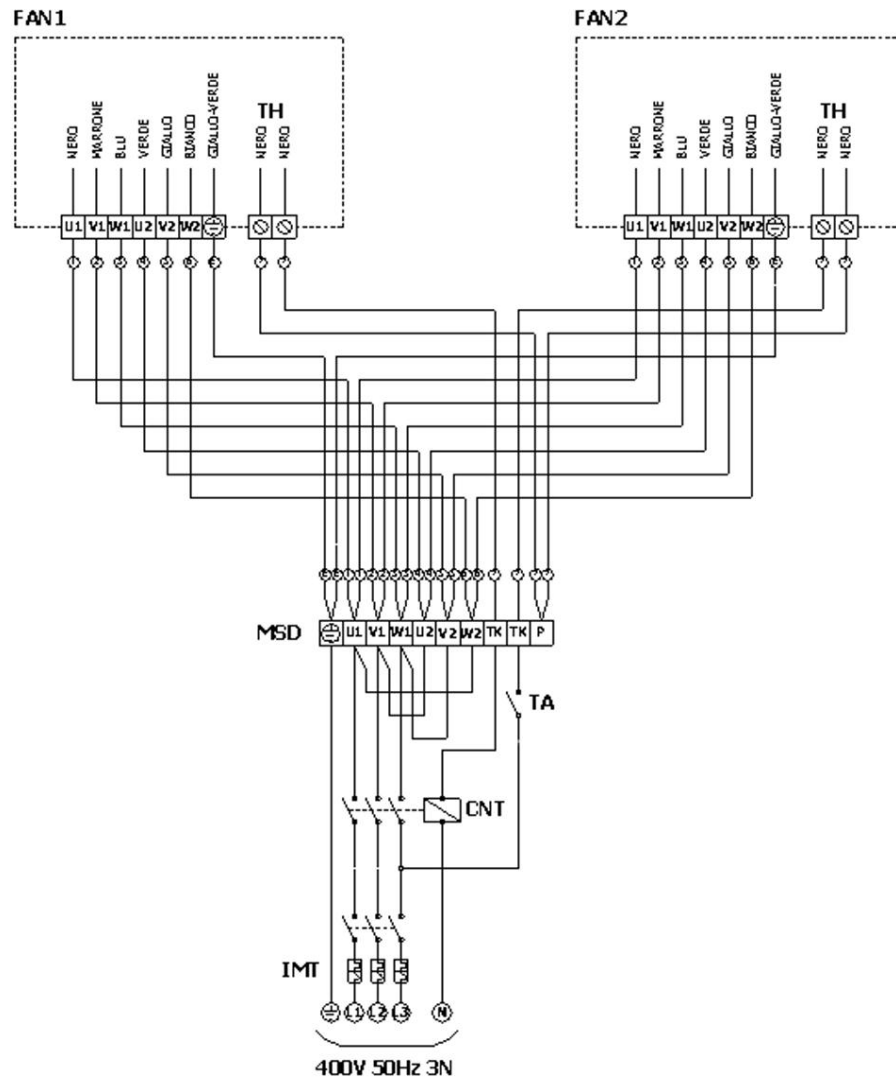
**Get In Touch**

Call: 0845 6880112  
 Email: [info@adremit.co.uk](mailto:info@adremit.co.uk)

**Our Address**

Puravent, Adremit Limited, Unit 5a, Commercial Yard,  
 Settle, North Yorkshire, BD24 9RH

**WIRING CONNECTION DIAGRAM TYPES LH/X 620 - 930  
( TRIANGLE )  
For version with 2 fans and derivation box  
(Tri-phase 400V ~ 50Hz 3N power supply)**



**Key:**

<b>FAN1</b>	Electric fan
<b>FAN2</b>	Electric fan
<b>MSD</b>	Connecting terminal for derivation box
<b>TH</b>	N.C. motor safety contact
<b>400V 50Hz 3N</b>	Tri-phase power supply, with neutral
<b>CNT<sup>(1)</sup></b>	Line electromagnetic switch
<b>TA<sup>(1)</sup></b>	Room-Thermostat
<b>IMT<sup>(1)</sup></b>	Differential magneto thermal cut-out switch

(1) Not included: to be installed by the customer.

**Cable colours plan:**

Name	Cable colour
<b>1</b>	Black
<b>2</b>	Brown
<b>3</b>	Blue
<b>4</b>	Green
<b>5</b>	Yellow
<b>6</b>	White
<b>E</b>	Yellow- Green

**Wires colours:**

Black = Nero  
Brown = Marrone  
Blue = Blue  
Green = Verde  
Yellow = Giallo  
White = Bianco  
Green-Yellow = giallo-verde



**1-step commutator DST1**  
**Article-No. 022071**

Overload cut-out (inherent protection) for 1-step ventilator operating

max.heating capacity output	3 kW
Operational power supply	400 V
Control power supply	230 V
Protection rating	IP 54
Dimensions	WxHxD:110x180x115mm
Weight	0,73 kg

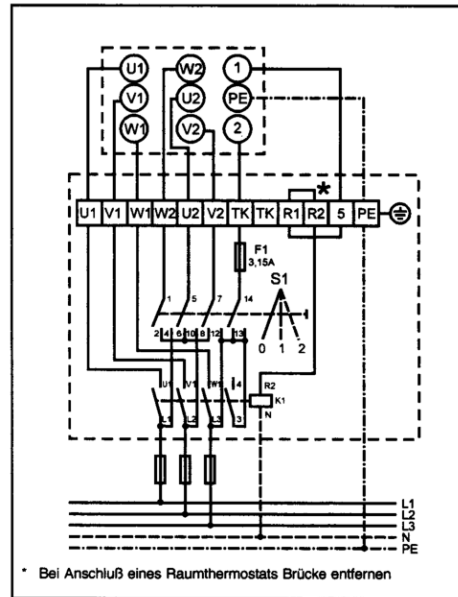
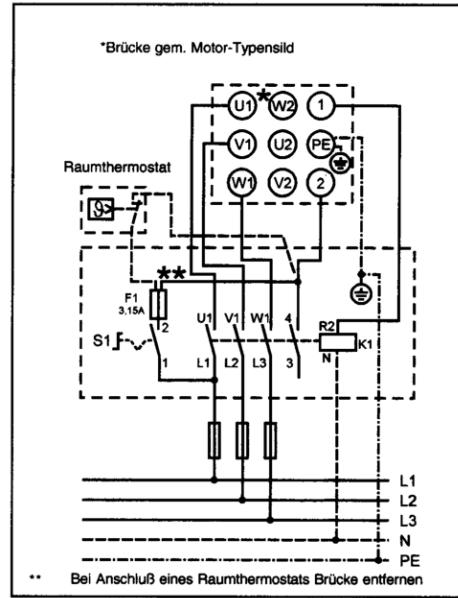


**No warranty on motor without overload cut-out !**  
**Installations are to be executed observing all legal**  
**reglementation.**

**2- step switch DST2**  
**Article-No. 022072**

Overload cut-out (inherent protection) for 2-step ventilation

Max heating capacity output	4 kW
Operational power supply	400 V
Control power supply	230 V
Protection rating	IP 54
Dimensions	WxHxD:105x170x135mm
Weight	0,87 kg



Get In Touch

Call: 0845 6880112  
 Email: [info@adremit.co.uk](mailto:info@adremit.co.uk)

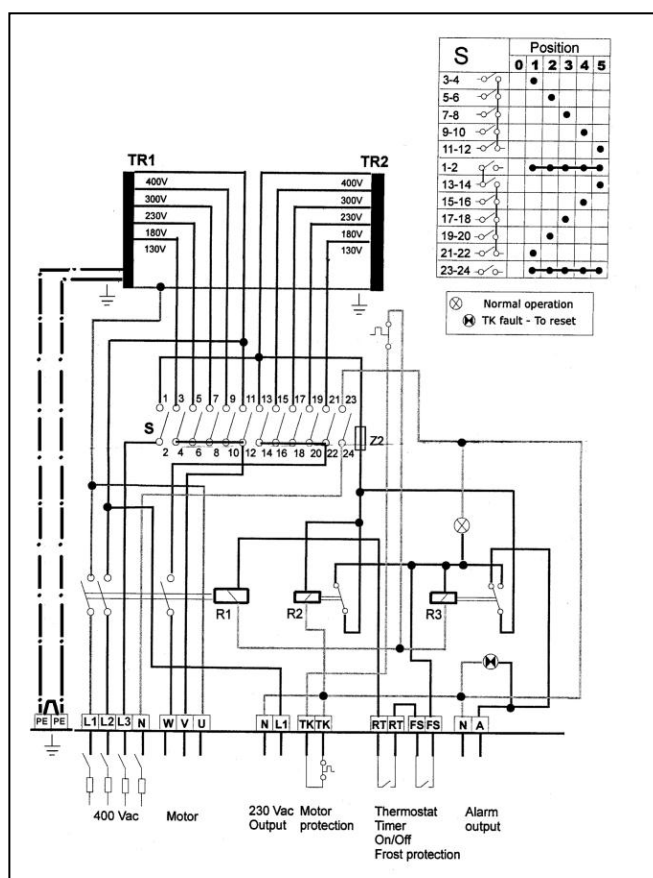
Our Address

Puravent, Adremit Limited, Unit 5a, Commercial Yard,  
 Settle, North Yorkshire, BD24 9RH



Five-step-switch

Five-step-switch		DST 5-2	DST 5-4	DST 5-7	DST 5-10
Art.-no.		022074	022075	022076	022077
		Overload cut-out (inherent-protection) für 5-step-ventilation			
max. capacity	A	2,5	4,0	8	10
Operational power supply	V	400			
Control power supply	V	230			
Protection		IP20			
Dimension BxHxT	mm	230x310x190			
Weight	kg	7	10	15	16



Get In Touch

Call: 0845 6880112  
 Email: [info@adremit.co.uk](mailto:info@adremit.co.uk)

Our Address

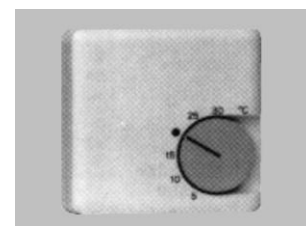
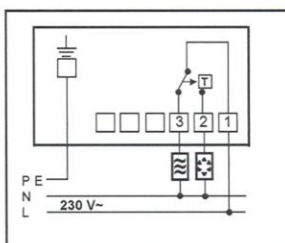
Puravent, Adremit Limited, Unit 5a, Commercial Yard, Settle, North Yorkshire, BD24 9RH



**Roomthermostat - RT**  
**Article-No. 006859**

In plastic housing 71 x 71 x 30 mm  
For mounting after finery.  
Switching capacity Heating 10 (4)A.

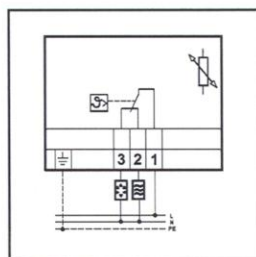
Temperature range        6 - 30 °C  
Switching difference      0,5 K  
Protection rating        IP 30



**Roomthermostat - RTI**  
**Industrial version**  
**Article-No. 005434**

(DIN EN 60730/VDE 0631)  
Plastic housing  
105 x 94 x 65 mm for mounting after finery.  
Switching capacity        16 (3)A.  
   at 230 V / 50 Hz

Temperature range        0 - 40 °C  
Switching difference      2 K  
Protection rating        IP 54 AP



**Roomthermostat - RTIA**  
**Industrial version**  
**Article-No. 005951**

With covered temperature setting  
otherwise similar to article-No. 005434



**Get In Touch**

Call: 0845 6880112  
 Email: [info@adremit.co.uk](mailto:info@adremit.co.uk)

**Our Address**

Puravent, Adremit Limited, Unit 5a, Commercial Yard,  
Settle, North Yorkshire, BD24 9RH



### Day-/ Night regulation RTA Article-no. 006708

in plastic housing for night reduction with digital times, power reserve, daily and weekly programming, 1 sensor for wall-mounting included.



Range of setting	0 - 35°C
Power reserve	100 hours
Protection rating	IP 54
Switching difference	0,2 - 1,2 K
Switching capacity	10 (3) A
Power supply	230 V
Dimensions	W x H X D 210 x 180 x 115 mm

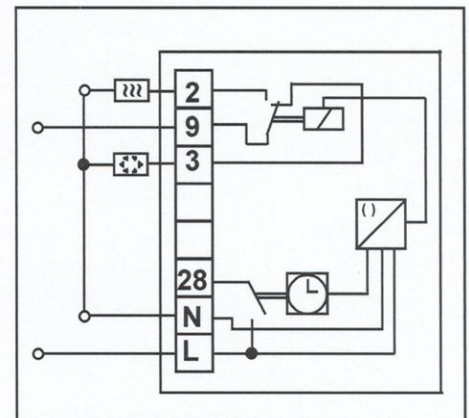
### Timer thermostat RTU with analogue timer Article-no. 0022078

For regulating temperatures in dry rooms dependent on times.




Power supply	230VAC, 50/60 Hz
Switching current	16A, 250 VAC
Parallel	appr. 15 K
Cycle period	adjustable, 10 or 25 minutes
Housing	ABS white
Protection rating	IP 30
Dimensions	W x H x D 160 x 80 x 36 mm
Lights	Heating ON, economic mode
Schalter	Day / Automatic / Night

Range of regulation Day + 5°C / + 30°C AP  
Range of regulation night + 5°C / + 30°C AP



#### Get In Touch

 Call: 0845 6880112  
 Email: [info@adremit.co.uk](mailto:info@adremit.co.uk)

#### Our Address

Puravent, Adremit Limited, Unit 5a, Commercial Yard,  
Settle, North Yorkshire, BD24 9RH

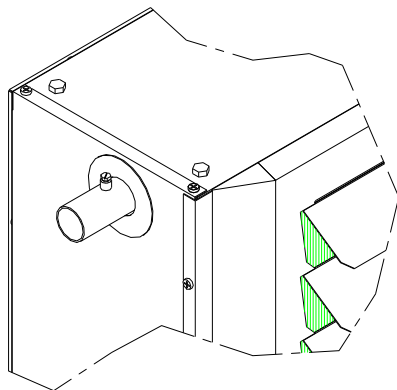


## FILLING – EMPTYING THE UNIT

### FILLING:

Before starting filling:

- Position the main switch to OFF
- Check that the water system drain valve is closed.
- Open the upper manual bleed valve.
- Start filling by slowly opening the water system filling valve external to the heater unit;
- When water begins flowing out of the bleed valve, close the latter and continue filling until correct system pressure is reached



- Repeat the procedure after the heater has been running a few hours.
- Check that there are no leaks.



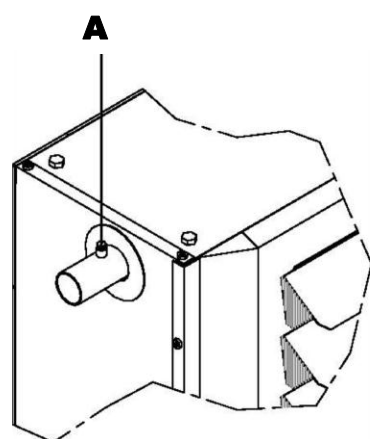
### WARNING!

If there is a risk of su-zero temperatures mix some anti-freeze into the water in manufacturer-recommended quantities.

### EMPTYING:

Before starting emptying:

- Position the main switch to OFF.
- Check that the water system drain valve is closed;
- Open the manual bleed valves (A).
- Open the system drain valve and drain all the water;.
- Close the manual bleed valves.



### WARNING!

If the system contains anti-freeze, the water must be collected and, where possible, re-used. Do not dump as with normal water, because the anti-freeze is a pollutant.



### WARNING!

The supplier cannot be held responsible for damages at the heat exchanger that have been caused by frost.

## CONNECTING HEATING INSTALLATION

### Connecting warm-water heating system

Before connecting to existing heating system, make sure, that the respective demands of power, specific for each unit, are available at any time.

Water connection of the unit has to be effected by means of appropriate socket-unions and stop-valves at water entrance and outlet.

**It is recommended to use compensators and automatic bleeding devices.**

- Generally water filling has to be effected below.
- Water outlet (return) has to be done upside.
- Connection is optional **right** or **left** side.
- Bleed heat exchanger carefully after mounting.
- **Air cushions inside the heat exchanger lead to reduction of heat capacity.**
- Fin-heat exchangers are operating according countercurrent principle.
- Determine the sizes of the threads of the tube connections according to the "Technical Data".

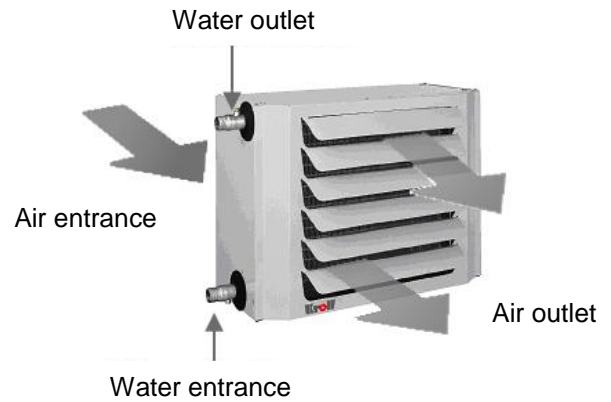
### Emptying when risk of frost

A complete static emptying of the fin heat-exchanger is not possible.  
The complete emptying of the fin heat-exchanger is possible only by means of compressed air.

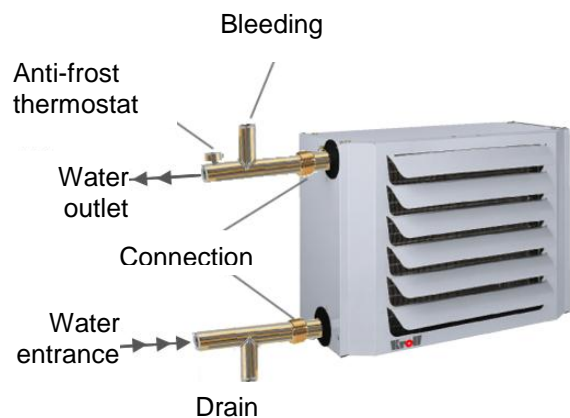
### Important notes for anti-freeze protection !

In order to avoid frost-damages, an anti-frost device has to be installed for temperatures under 0°C..

There must not remain any water inside heat exchangers of heating installations, which are put out of operation in rooms threatened by frost. Blow out residual water by means of compressed air.



**NOTE:**  
*In order to avoid damage at the tubes by skewing, it is recommended to counter by means of an appropriate tool when connecting the screwed connections.*

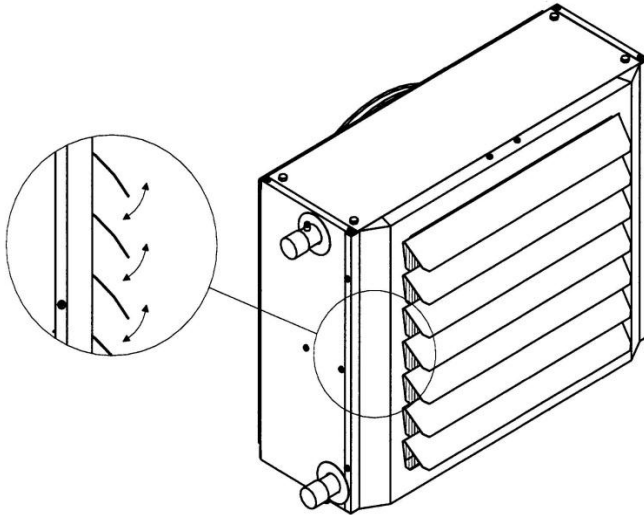


*The supplier cannot be held responsible for any damages at the fin heat exchanger caused by frost.*





## FIN ADJUSTMENT

The zorizonta fins **must be adjusted during installation** so as to create an airflow suitable for the room/ area being heated. Such airflow must not distrub the persons occupying such room/area. The fins can be individually adjusted manually.  
Likewise, vertical fins must also be adjusted (where fitted).



### Get In Touch

 Call: [0845 6880112](tel:08456880112)  
 Email: [info@adremit.co.uk](mailto:info@adremit.co.uk)

### Our Address

Puravent, Adremit Limited, Unit 5a, Commercial Yard,  
Settle, North Yorkshire, BD24 9RH



## FIRST – TIME START- UP

Stick the type etiquette as described on page 7.

### ACTIVATING THE HEATING FUNCTION:

- Position the main switch to ON.
- Set fan speed as desired (where speed selector switch is installed);
- Set room thermostat to desired temperature (higher than current room temperature).
- At this point the heater fan starts. Thereby warmed air is blown into the room. To prevent an initial outflow of unpleasant cold air it is possible to delay fan start-up with the aid of a minimum thermostat.
- Once the temperature set on the room thermostat has been reached the heater will shut down. When the temperature drops back down below this setting the fan heater restarts automatically;

## CHECKS DURING AND AFTER FIRST-TIME START- UP

Once the fan heater has been started check that it shuts down on reaching the required temperature and then restarts again when the room cools down.

With the fan heater running:

- Check that the fan(s) rotate (s) freely and the right way.
- Check that fan(s) operate(s) at the various speeds (where fan speed control switch is installed);

- Check that electrical absorption is less than indicated in the TECHNICAL DATA chapter.
- Check that there are no water leaks;.
- Check that the fins are not too close together.

### **WARNING!**

If there is a risk of sub-zero temperatures and the system water does not contain an anti-freeze liquid, you must drain the system as described on page 43 .

#### Get In Touch



Call: 0845 6880112



Email: [info@adremit.co.uk](mailto:info@adremit.co.uk)

#### Our Address

Puravent, Adremit Limited, Unit 5a, Commercial Yard,  
Settle, North Yorkshire, BD24 9RH



## SETTING INTO OPERATION

### WARNING

Start up can be effected only, after having assured, that qualified mounting and electrical installation correspond to relevant restrictions of EC directives.

#### DURING FIRST-TIME START-UP

1. Check correct mechanical mounting.
2. Check correct connection to existing heating system.
3. Check that hot surfaces are protected against unintended touch.
4. Check that electrical wiring of the units has been effected in accordance to valid guidelines and norms, observing attached wiring diagrams.
5. Check that there are no obstructions inside ventilation, aspiration and outlet..
6. Check that the fins are open.
7. Check that the fan runs easily.
8. Check that the power supply to electric control box (accessory) is connected and that the unit is switched on by control switch of the electrical control-box..
9. Check that the rotation of the ventilators is in direction of the arrow.  
Switching the rotation is done by changing 2 phases.
10. When using a rotation-speed-control (accessory), the capacity of the regulation is in accordance with the motor's capacity.

#### DURING FIRST-TIME START-UP

During first-time start-up, the correct function and setting of all regulations, control and security units have to be checked.

1. Measure electrical absorption of the ventilator.  
**Nominal current must not exceed the value indicated on the type etiquette.**
2. Check function of control and regulation of the fan.
3. Check motor protection of the fan.
4. If mounted, check function of the anti-frost protection unit and of the room thermostat.
5. Check the whole installation if it is free of tension and free of eventual vibrations.
6. Check if the combustible- tubes are correctly connected and without any leakage.

#### SWITCHING OFF

Turn the switch of the respective commutators on „OFF“ or „0“ .

#### When unit is expected to remain idle for a lengthy period:



- Cut the electric power completely
- Block the combustible supply
- If there is a risk of sub-zero temperatures, and the system water does not contain an anti-freeze liquid, you must drain the system.

## INDICATION

*Complete drain of the heat exchanger can only be executed by means of compressed air.*

*After having cut the control box from the main supply, switch back the control switch on position „0“ when restarting the burner.*

### Get In Touch

 Call: [0845 6880112](tel:08456880112)  
 Email: [info@adremit.co.uk](mailto:info@adremit.co.uk)

### Our Address

Puravent, Adremit Limited, Unit 5a, Commercial Yard,  
Settle, North Yorkshire, BD24 9RH



## MAINTENANCE

Periodic maintenance is essential for the safety, efficiency and long-term performance of the unit. Before doing any maintenance work:

- Cut the power by turning the main switch to OFF.
- Close the water check valves.

The annual maintenance schedule to be observed by the Authorised Technical Service or maintenance technician is as follows:

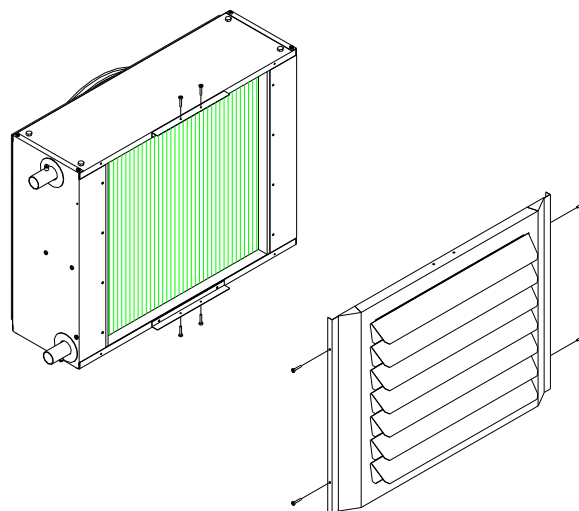
Check	Frequency
Check there is no air in circuit	annually
Check voltage	annually
Check absorption	annually
Check electrical connections	annually
Check water couplings	annually
Clean outer cover	annually
Clean heat exchanger	annually

### CLEANING THE HELICAL FAN

Remove any dust and/or foreign objects that may have deposited on the fan and/or grating with compressed air.

### CLEANING THE AIR-WATER HEAT EXCHANGER

Remove the air outflow grating. Then clean off any dust that may have deposited on the exchanger fins with the aid of compressed air.



### BLEEDING

Open manual bleed-valves and check that there's no air inside the leads..

### CHECKING ABSORPTION

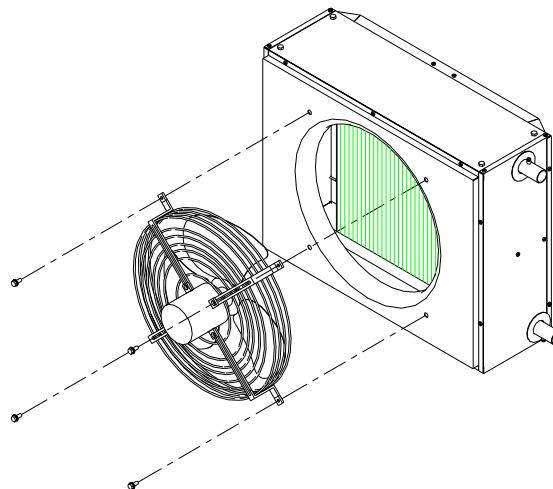
Using an ammeter check that the electrical current of each phase is less than that indicated on the technical data plaque.

### CHECKING ELECTRICAL CONNECTIONS


Disassemble the electrical connections box and check that all the terminal grips are tightened properly.

### CHECKING CONDITION OF WATER COUPLINGS

Check for leaks along the entire circuit.



#### Get In Touch

 Call: 0845 6880112  
 Email: [info@adremit.co.uk](mailto:info@adremit.co.uk)

#### Our Address

Puravent, Adremit Limited, Unit 5a, Commercial Yard, Settle, North Yorkshire, BD24 9RH



## TROUBLESHOOTING

PROBLEM	CAUSE	SOLUTION
<b>The fan does not start</b>	No power	Check unit is powered
	Main switch turned to OFF	Turn to ON
	Room thermostat faulty	Check room thermostat
	Fan faulty	Check fan motor
	Condenser faulty	Check condenser
<b>Poor heating efficiency</b>	Overload cut-out tripped	Check absorption
	Heat exchanger dirty	Clean heat exchanger
	Improper room temperature setting	Check regulation
	Wrong water temperature	Check water temperature
	Air in water circuit	Cleed air from system
<b>Noise or vibration</b>	Fan faulty	Check fan motor
	Fan rotation inverted	Check direction of fan rotation
	Contact between metal parts	Inspect for contact
	Screws loose	Tighten
	Fan improperly balanced	Replace
	Fan dirty	Clean

### Get In Touch

 Call: 0845 6880112  
 Email: [info@adremit.co.uk](mailto:info@adremit.co.uk)

### Our Address

Puravent, Adremit Limited, Unit 5a, Commercial Yard,  
 Settle, North Yorkshire, BD24 9RH



## Konformitätserklärung

im Sinne der /

in accordance with / Selon la réglementation

73/23/ EWG  
98/37/EWG

Niederspannungsrichtlinien / Directive for low-tension / CE basse  
Elektromagnetische Verträglichkeit / Electromagnetic compatibility /  
Electromagnétique compatibilité

### Die Bauart der Maschine / Construction of the device / Type de construction de la machine

#### Luftherhitzer / Air heater / Aérotherme à eau chaude

LH/X120, LH/X130, LH/X220, LH/X230, LH/X320, LH/X330,  
LH/X420, LH/X430, LH/X520, LH/X530, LH/X620, LH/X630,  
LH/X720, LH/X730, LH/X920, LH/X930

Hiermit erklären wir, dass die nachfolgend bezeichnete Maschine aufgrund ihrer Konzeption und Bauart in der von uns in Verkehr gebrachten Ausführung den einschlägigen grundlegenden Sicherheitsanforderungen der EG-Richtlinien entspricht. **Bei einer nicht mit uns abgestimmten Änderung der Maschine verliert diese Erklärung ihre Gültigkeit.**

We herewith declare, that the below mentioned machines correspond, on the base of their conception and their type of construction in the version brought into the market through our company, to the relevant basic security restrictions of the EC.

**In case of any modification of the device that has not been agreed with us, this declaration becomes void.**

Nous déclarons ainsi, que les machines sous-mentionnés correspondent, sur la base de leur conception et le type de construction dans la version, dans laquelle ils sont lancés sur le marché par notre société, aux restrictions de sécurité de base applicables de la CE.

**En cas de modification qui n'est pas convenue avec nous, cette déclaration est périmée.**

Eine technische Dokumentation ist vollständig vorhanden -

A technical documentation is completely at hand / Une documentation techniques complète existe

Kirchberg/Murr, den 27.06.2007

**Kroll GmbH**

71737 Kirchberg/Murr,  
Pfarrgartenstraße 46  
Tel.: 07144/8300, Fax : 830100

Peter Scheuer

Geschäftsführer / Director / Directeur

### Get In Touch



Call: 0845 6880112



Email: [info@adremit.co.uk](mailto:info@adremit.co.uk)

### Our Address

Puravent, Adremit Limited, Unit 5a, Commercial Yard,  
Settle, North Yorkshire, BD24 9RH











Bei nicht bestimmungsgemäßer Verwendung, Aufstellung und Wartung, wie in der Betriebsanleitung vorgegeben oder eigenmächtigen Änderungen an der werkseitig gelieferten Geräteausführung erlischt jeglicher Gewährleistungsanspruch.

Im Übrigen gelten unsere „Verkaufs- und Lieferbedingungen“  
Technische Änderungen im Sinne der Produktverbesserung vorbehalten.

Any use, installation, maintenance that is not effected according to the rules as asserted in the technical manual, or unauthorized modifications on the original version as delivered from manufacturer leads to expiration of any right to warranty.

Furtheron our „Conditions of Sales and Delivery“ are valid.  
Technical modification for product improvement are subject to change without notice.

Toute utilisation, installation et maintenance qui ne soit pas effectué onformément aux directives fixés dans le manuel technique, ainsi que toute modification à l'appareil livré du fabricant dans sa version originale, entraîne l'expiration du droit de garantie.

En plus, nos „Conditions de vente et de livraison“ sont en vigueur.  
Sous réserve de modification technique dans le sens d'amélioration du produit.

Любое использование, установка, обслуживание, выполненные не в соответствии с правилами, указанными в Техническом руководстве, либо несанкционированная модификация оригинальной версии, поставленной изготовителем, приводит к тому, что любые гарантии теряют силу.

Кроме того, действуют наши "Условия продаж и поставки".

В изделие могут без уведомления вноситься технические модификации, направленные на усовершенствование изделия.





### **Kroll GmbH**

Pfarrgartenstraße 46  
D-71737 Kirchberg/Murr  
Telefon (0049) 07144 / 830 200  
Telefax (0049) 07144 / 830 201  
e-mail [vertrieb@kroll.de](mailto:vertrieb@kroll.de)  
Internet [www.kroll.de](http://www.kroll.de)  
Service Hotline (0049) 07144 / 830 222

### **Kroll France**

SA au capital de 399 900 € HT RCS  
Villefranche / Saône Tarare  
B 408 546 943 APE 516 A  
TVA N° 57 408 546 943  
Telefon (0049) 07144 / 830 149  
Telefax (0049) 07144 / 830 201  
e-mail [france.kroll@kroll.de](mailto:france.kroll@kroll.de)  
Internet [www.kroll.de](http://www.kroll.de)

#### Get In Touch

 Call: [0845 6880112](tel:08456880112)  
 Email: [info@adremit.co.uk](mailto:info@adremit.co.uk)

#### Our Address

Puravent, Adremit Limited, Unit 5a, Commercial Yard,  
Settle, North Yorkshire, BD24 9RH