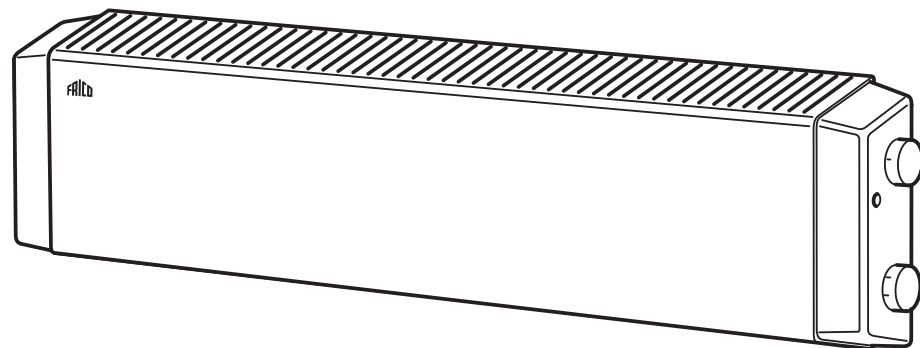




Original instructions

## Thermowarm TWT/TWTC



EN ... 4

SE ... 6

NO ... 8

DE ... 10

FR ... 12

NL ... 14



FI ... 16

ES ... 18

RU ... 20

PL ... 22

### Get In Touch

 Call: [0845 6880112](tel:08456880112)  
 Email: [info@adremit.co.uk](mailto:info@adremit.co.uk)

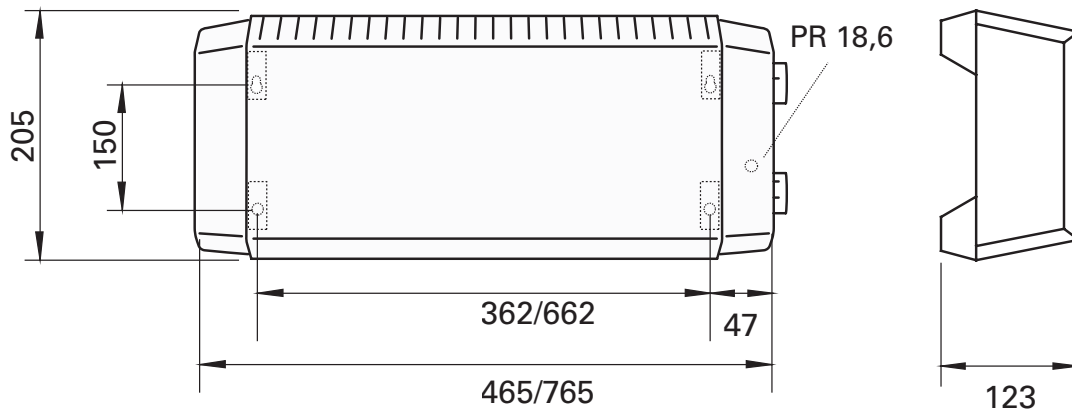
### Our Address

Puravent, Adremit Limited, Unit 5a, Commercial Yard,  
Settle, North Yorkshire, BD24 9RH

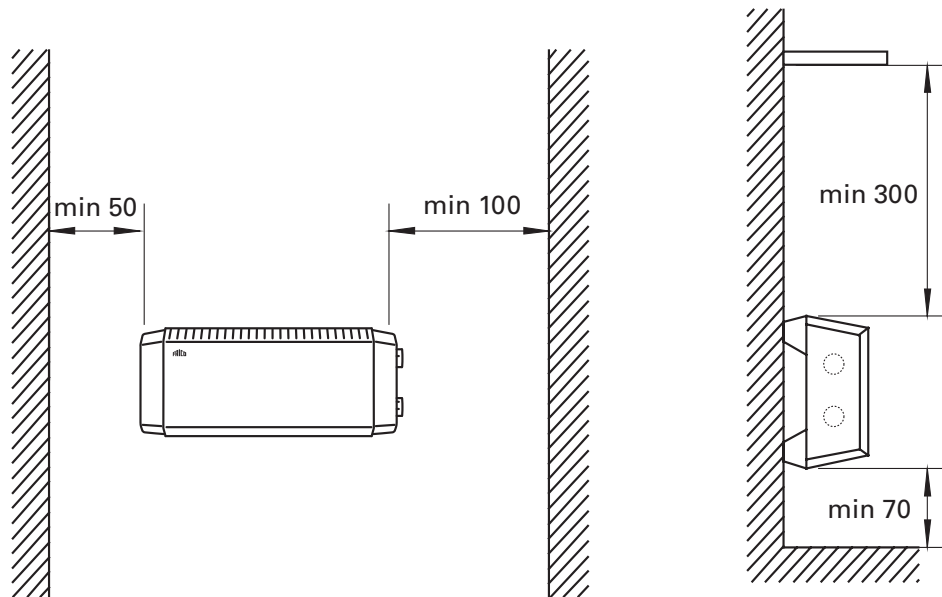


# Thermowarm TWT

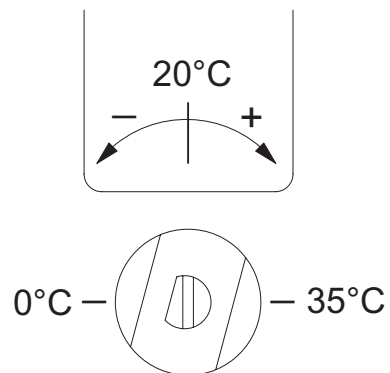
## TWT



## Minimum distances



## Thermostat TWTC



### Get In Touch

Call: 0845 6880112  
 Email: [info@adremit.co.uk](mailto:info@adremit.co.uk)

### Our Address

Puravent, Adremit Limited, Unit 5a, Commercial Yard,  
 Settle, North Yorkshire, BD24 9RH



# Thermowarm TWT

## Thermowarm TWT100 (IP44)

Item no	Type	Output [W]	Voltage [V]	Length [mm]	Weight [kg]
6982	<b>TWT10521</b>	500	230V~	465	2,0
6987	<b>TWT11021</b>	1000	230V~	765	3,0

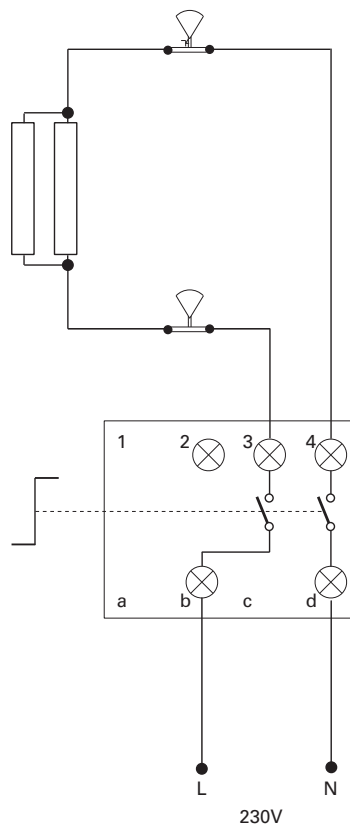
## Thermowarm TWTC (IP54)

Item no	Type	Output [W]	Voltage [V]	Length [mm]	Weight [kg]
11396	<b>TWTC30521</b>	500	230V~	465	2,0
11398	<b>TWTC31021</b>	1000	230V~	765	3,0

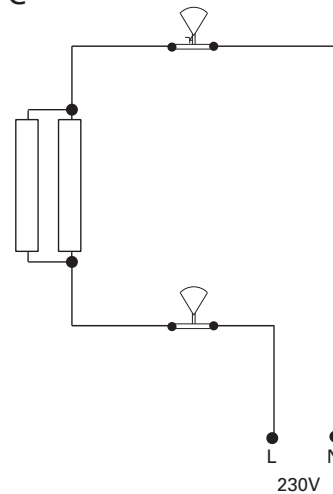


### Wiring diagram

TWT



TWTC



### Get In Touch

 Call: [0845 6880112](tel:08456880112)  
 Email: [info@adremit.co.uk](mailto:info@adremit.co.uk)

### Our Address

Puravent, Adremit Limited, Unit 5a, Commercial Yard,  
 Settle, North Yorkshire, BD24 9RH



## Installation and operating instructions

### General Instructions

Read these instructions carefully prior to installation and use. Keep this manual for future reference.

*The product may only be used as set out in the assembly and operating instructions. The guarantee is only valid should the product be used in the manner intended and in accordance with the instructions.*

### Application

Thermowarm TWT is a series of easily installed convectors designed for heating installations of a more technical nature such as offshore, service areas, utility rooms and vehicles. TWTC can also be used in corrosive and aggressive environments.

Enclosure class TWT: IP44, TWTC: IP54.

### Mounting

The appliance is supplied with a pre-installed wall bracket for attaching horizontally to the wall using four screws. There is a template for placing the screws on the bottom of the carton. Stick a sharp instrument through the marks on the carton to mark where to place the screws. The top two holes are "keyholes". See the dimensions on the introductory pages. For minimum distance, see diagrams on introductory pages.

### Connection

TWT100 is designed for permanent installation. The installation, which should be preceded by an isolator switch with a contact separation of at least 3 mm, should only be wired by a competent electrician and in accordance with the latest edition of IEE wiring regulations.

TWTC is equipped with a cord and plug for connection to earthed outlet sockets.

### Replacement of cable

If the cable is damaged the unit must be sent to Frico for replacement. Contact Frico Technical Support.

### Control

Thermowarm features an integrated thermostat with setting range 0 – +35 °C. On TWTC the thermostat is concealed to make it difficult for unauthorised persons to change the temperature setting. TWT100 has a circuit breaker.

**TWT100:** A Celsius scale is marked on the side of the thermostat dial. The dial is on the right side of the heater. The scale of the thermostat dial can be turned to calibrate the thermostat to the actual room temperature.

**TWTC:** The thermostat is protected under a threaded cover on the right side of the heater. The cover can be removed by a screwdriver. The thermostat is set by turning the notch to the desired temperature. See the introduction pages.

### Start-up

When the unit is used for the first time or after a long period of non-use, smoke or an odour may result from dust or dirt which has collected on the element. This is completely normal and disappears after a short time.

### Maintenance

In all electrical heating appliances, small clicks can occur due to movement when the material expands and contracts with changes in temperature.

As the components are maintenance-free, no maintenance other than cleaning is necessary. The frequency of cleaning can vary depending on local conditions, although it should be at least twice a year. Grilles and elements can be vacuum cleaned or wiped using a damp cloth. Use a brush when vacuuming to prevent damaging sensitive parts.

Avoid strong solvents such as acetone or similar, as well as alkaline or acidic detergents. The plastic end covers must not be exposed to oily substances.

### Overheat protection

The convector is fitted with overheat protection.

**TWT100:** The overheat protection can be reset by pushing the button on the end plate of the heater.

**TWTC:** The overheat protection is reset by pressing the button located under a threaded cover at the side of the heater. The cover can be removed by a screwdriver.

### Packaging

Packaging materials are chosen with consideration to the environment and are therefore recyclable.

#### Get In Touch

Call: 0845 6880112  
Email: [info@adremit.co.uk](mailto:info@adremit.co.uk)

#### Our Address

Puravent, Adremit Limited, Unit 5a, Commercial Yard, Settle, North Yorkshire, BD24 9RH



## Handling of product at end of working life



This product may contain substances necessary for the functionality of the product but potentially dangerous for the environment. The product should not be disposed of mixed with general household waste but delivered to a designated collection point for environmental recycling. Please contact the local authority for further details of your nearest designated collection point.

## Safety

- *For all installations of electrically heated products a residual current circuit breaker 300 mA for fire protection should be used.*
- *Keep the areas around the air intake and exhaust grilles free from possible obstructions!*
- *The unit must not be fully or partially covered as overheating can result in a fire risk!*
- *This appliance can be used by children aged from 8 years and above and persons with reduced physical, sensory or mental capabilities or lack of experience and knowledge if they have been given supervision or instruction concerning use of the appliance in a safe way and understand the hazards involved. Children shall not play with the appliance. Cleaning and user maintenance shall not be made by children without supervision.*
- *Children of less than 3 years should be kept away unless continuously supervised.*
- *Children aged from 3 years and less than 8 years shall only switch on/off the appliance provided that it has been placed or installed in its intended normal operating position and they have been given supervision or instruction concerning use of the appliance in a safe way and understand the hazards involved.*
- *Children aged from 3 years and less than 8 years shall not plug in, regulate and clean the appliance or perform user maintenance.*

**CAUTION — Some parts of this product can become very hot and cause burns. Particular attention has to be given where children and vulnerable people are present.**

### Get In Touch

-  **Call:** [0845 6880112](tel:08456880112)  
 **Email:** [info@adremit.co.uk](mailto:info@adremit.co.uk)

### Our Address

Puravent, Adremit Limited, Unit 5a, Commercial Yard,  
Settle, North Yorkshire, BD24 9RH

UK  
CA  
EAC  
CE

**Main office**

Frico AB  
Industrivägen 41  
SE-433 61 Sävedalen  
Sweden

Tel: +46 31 336 86 00

mailbox@frico.se  
www.frico.net

**For latest updated information and information  
about your local contact: [www.frico.se](http://www.frico.se)**

2021-04-29 CH

**Get In Touch**



Call: [0845 6880112](tel:08456880112)



Email: [info@adremit.co.uk](mailto:info@adremit.co.uk)

**Our Address**

Puravent, Adremit Limited, Unit 5a, Commercial Yard,  
Settle, North Yorkshire, BD24 9RH