

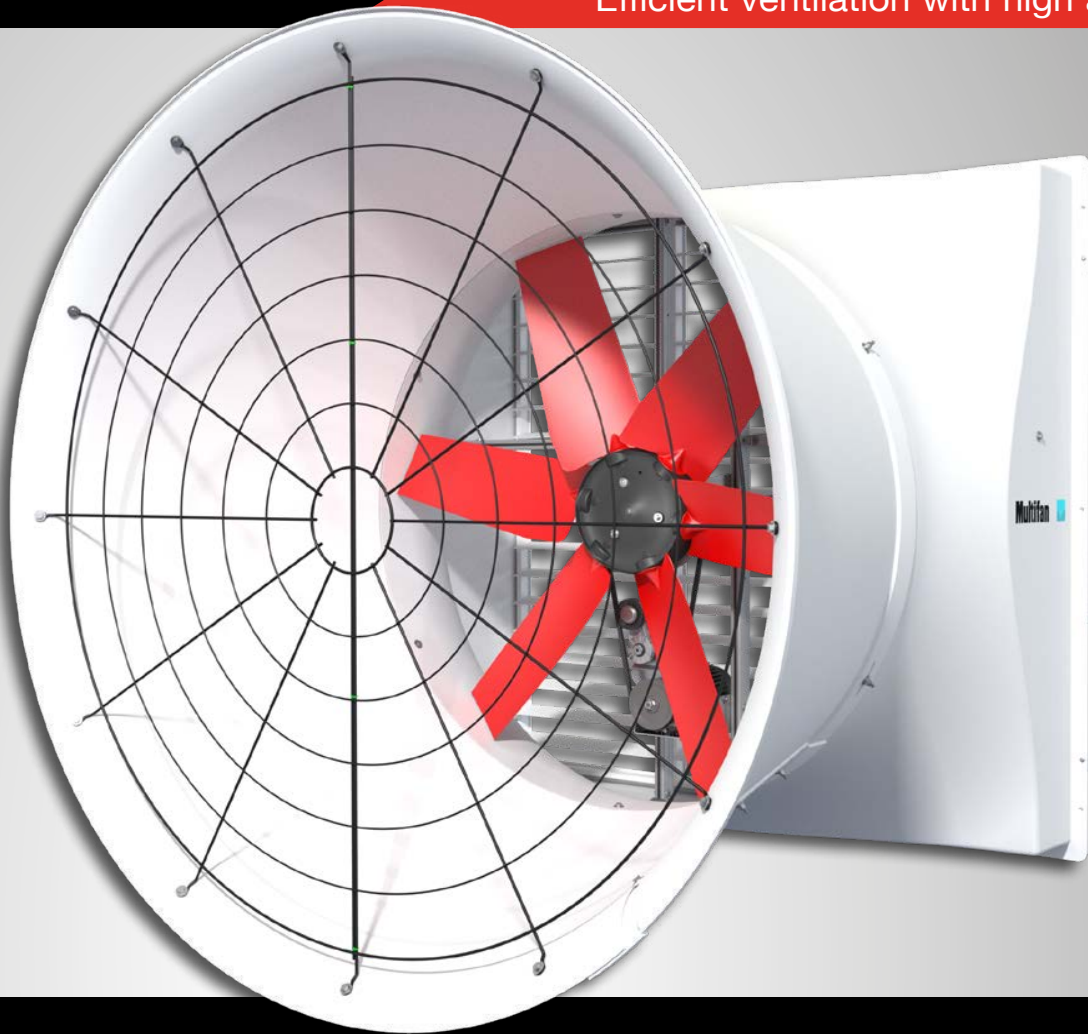


Multifan



Fiberglass Cone Fans

Efficient ventilation with high air yields



VOSTERMANS
VENTILATION

YOUR SPECIALIST IN AIR



Get In Touch

Call: [0845 6880112](tel:08456880112)
Email: info@adremit.co.uk

Our Address

Puravent, Adremit Limited, Unit 5a, Commercial Yard,
Settle, North Yorkshire, BD24 9RH

Get In Touch

Call: [0845 6880112](tel:08456880112)
Email: info@adremit.co.uk

Our Address

Puravent, Adremit Limited, Unit 5a, Commercial Yard,
Settle, North Yorkshire, BD24 9RH

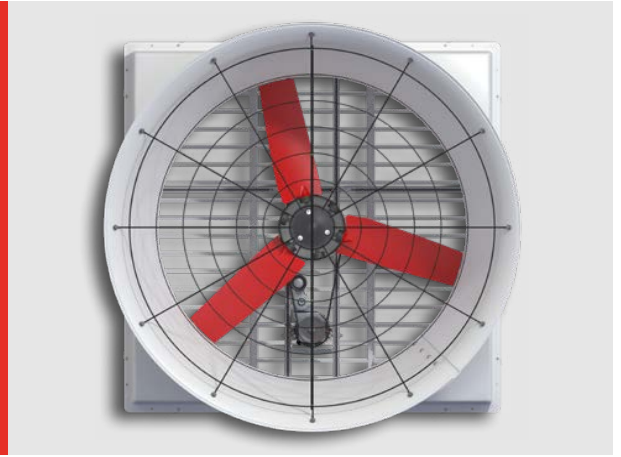


Multifan Fiberglass Cone Fans

Efficient ventilation with high air yields

Thanks to their aerodynamic design, Multifan Fiberglass Cone Fans are among the most energy-efficient fans available worldwide. On top of that, they are resistant to some of the most aggressive climates, thanks to the use of high-tech engineering plastic parts.

This makes the Fiberglass Cone Fan the cream of the crop in many respects. This type of fan is often used in large buildings, such as pig, poultry and dairy barns, to efficiently refresh the air. These fans can also be used in combination with light traps or air filters. The 130 and 140 cm Fiberglass Cone Fans are optionally available with the Vplus technology.



Why choose this fan

- Materials resistant to extreme environments
- Available in energy efficient IE2, IE3 and IE4 fan motors
- Extreme durable fan with a long lifetime
- Aerodynamic design for optimal performance
- 3-year warranty on the motor



Features

- Available range: 45, 63, 92, 130 and 140 cm
- High level of air movement: up to 67.500 m³/h at 0 Pa
- Pressure range up to 125 Pa
- IP55 motor (water and dust resistant)
- Belt drive for 130 and 140 cm fans
- Direct Drive for 45, 63, 92 and 140 cm fans

Applications

- Agricultural: Pigs, Poultry and Dairy
- Horticulture: Greenhouse

Options available

- Shutters: PVC or aluminum
- Vplus technology for more energy savings
- 140 cm Fiberglass Cone Fan Vplus available with Belt Drive or Direct Drive



45, 63, 92, 130 and 140 cm Fiberglass Cone Fans

Fiberglass Cone Fan Vplus Direct Drive

Save more energy with Vplus technology



Get In Touch

- Call: [0845 6880112](tel:08456880112)
- Email: info@adremit.co.uk

Our Address

Puravent, Adremit Limited, Unit 5a, Commercial Yard, Settle, North Yorkshire, BD24 9RH

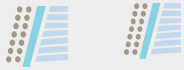
Get In Touch

- Call: [0845 6880112](tel:08456880112)
- Email: info@adremit.co.uk

Our Address

Puravent, Adremit Limited, Unit 5a, Commercial Yard, Settle, North Yorkshire, BD24 9RH





Technical data single-phase

Article **	ø (cm)	Power supply			(n) RPM	P _{in} (W)	I _{nom} (A)	Q _v (m³/h)					SFP @0Pa (W/1000m³/h)	Control options *
		~	V	Hz				0 Pa	30 Pa	50 Pa	80 Pa	100 Pa		
C4E45K1	45	1	240	60	1.700	290	1,4	7.150	6.650	6.250	5.400	-	40,2	E / T
C6E63K2	63	1	230	60	1.135	390	1,8	12.700	11.300	10.400	-	-	31	E / T
C8E92K1	92	1	230	60	845	900	4,6	23.300	20.600	18.300	-	-	38,7	-
C4E13K1	130	1	230	60	620	1.800	8,3	52.700	48.000	44.300	37.700	-	34,2	-
C4E14K1	140	1	230	60	510	1.050	4,8	50.500	44.100	37.900	-	-	20,8	-
C4E14K3	140	1	230	60	555	1.600	7,2	58.600	52.700	48.000	-	-	27,4	-
C4E14K4	140	1	230	60	580	1.750	8,2	53.700	50.200	47.900	43.800	40.200	32,9	-

Vplus technology

C4E13P3	130	1	230	50 / 60	640	1.650	11,5	56.100	51.700	48.200	41.700	-	29,6	F
Performance at 80% RPM					490	800	6,1	43.300	37.300	31.100	-	-	18,4	
C4E14P3	140	1	230	50 / 60	600	1.550	10,5	63.900	58.200	54.000	46.900	-	23,9	F
Performance at 80% RPM					490	900	6,7	52.700	45.900	39.000	-	-	17	

Vplus technology Direct Drive

C10E14PA	140	1	200 / 230	50 / 60	540	1.020	7,2	53.200	47.500	42.800	30.800	-	19,2	F
Performance at 80% RPM					432	553	4,3	43.000	35.100	25.700	-	-	12,9	

Technical data three-phase

Article **	ø (cm)	Power supply			(n) RPM	P _{in} (W)	I _{nom} (A)		Q _v (m³/h)					SFP @0Pa (W/1000m³/h)	Control options *
		~	V (Δ / Y)	Hz			Δ	Y	0 Pa	30 Pa	50 Pa	80 Pa	100 Pa		
C4D45A0	45	3	230 / 400	50	1.460	280	1,8	1,0	7.100	6.250	5.650	-	-	39,2	T
C6D63A2	63	3	230 / 400	50	950	430	1,9	1,1	13300	11400	9750	-	-	32,3	T
C6D63K0	63	3	240 / 420	60	1.120	490	2,0	1,2	13.900	12.300	11.200	-	-	35	T
C6D92A0	92	3	230 / 400	50	895	740	2,7	1,6	21.800	19.200	16.900	-	-	33,8	T
C8D92K0	92	3	240 / 420	60	815	700	3,6	2,1	21.300	18.500	15.600	-	-	33,1	T
C4D13A1	130	3	230 / 400	50	630	1.750	5,8	3,4	53.400	48.600	44.800	38.600	-	32,8	-
C4D13K1	130	3	230 / 400	60	635	1.350	5,3	3,1	53.700	49.100	45.500	39.500	-	32,8	-
C4D14A1	140	3	230 / 400	50	560	1.050	4,0	2,3	50.000	44.300	39.500	-	-	21,4	-
C4D14A3	140	3	230 / 400	50	555	1.500	5,3	3,1	60.000	54.100	49.400	-	-	25	-
C4D14A4	140	3	230 / 400	50	575	1.700	7,5	4,4	53.200	49.700	47.200	43.000	39.500	31,6	-
C4D14K3	140	3	240 / 420	60	555	1.500	4,7	2,7	59.100	53.200	48.900	-	-	25,4	-

Vplus technology

C4D13P3	130	3	400	50 / 60	640	1.600	-	2,2	55.700	51.500	48.200	41.800	-	28,7	F
Performance at 80% RPM					505	840	-	1,2	44.700	38.900	33.100	-	-	18,9	
C4D14P3	140	3	400	50 / 60	600	1.500	-	2,1	63.700	57.700	53.800	46.900	-	23,3	F
Performance at 80% RPM					480	830	-	1,2	51.500	44.000	35.300	-	-	16	

Vplus technology Direct Drive

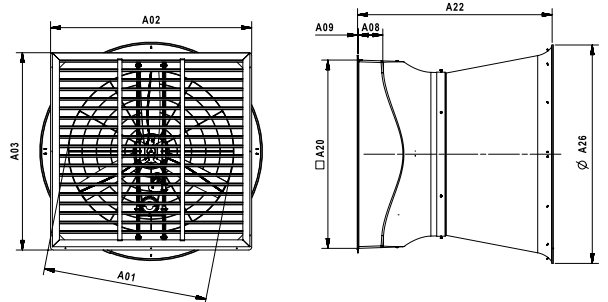
C10D14PA	140	3	400 / 480	50 / 60	540	1.015	-	1,4	53.200	47.800	43.100	31.400	-	19,1	F
Performance at 80% RPM					431	551	-	0,8	43.300	35.300	25.900	-	-	12,7	
C10D14PK	140	3	400 / 480	50 / 60	600	1.900	-	2,6	67.500	62.000	57.800	48.800	37.200	28,1	F
Performance at 80% RPM					478	1.028	-	1,4	54.700	46.900	40.500	-	-	18,8	

- * Transformer Voltage Control (T), Frequency Control (F), Electronic / Triac / Solid State Voltage Control (E).
- ** This is a small selection from our extensive range. For other product configurations, please contact our customer support team.
- *** Accessories can influence the performances. The displayed data is based on an aluminum shutter.

Dimensions (mm)

ø (cm)	A01	A02	A03	A08	A09	A20	A22	A26*	Recommended wall opening
45	450	689	689	194	8	598	786	644	611 x 611
63	640	879	879	189	8	788	922	911	800 x 800
92	913	1246	1246	182	8	1153	1236	1286	1167 x 1167
130	1278	1530	1530	178	9	1441	1600	1769	1452 x 1452
140	1369	1710	1710	179	10	1621	1650	1874	1630 x 1630

* Minimum Fan center on center spacing



Get In Touch

Call: [0845 6880112](tel:08456880112)
 Email: info@adremit.co.uk

Our Address

Puravent, Adremit Limited, Unit 5a, Commercial Yard, Settle, North Yorkshire, BD24 9RH

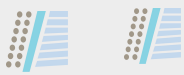
Get In Touch

Call: [0845 6880112](tel:08456880112)
 Email: info@adremit.co.uk

Our Address

Puravent, Adremit Limited, Unit 5a, Commercial Yard, Settle, North Yorkshire, BD24 9RH

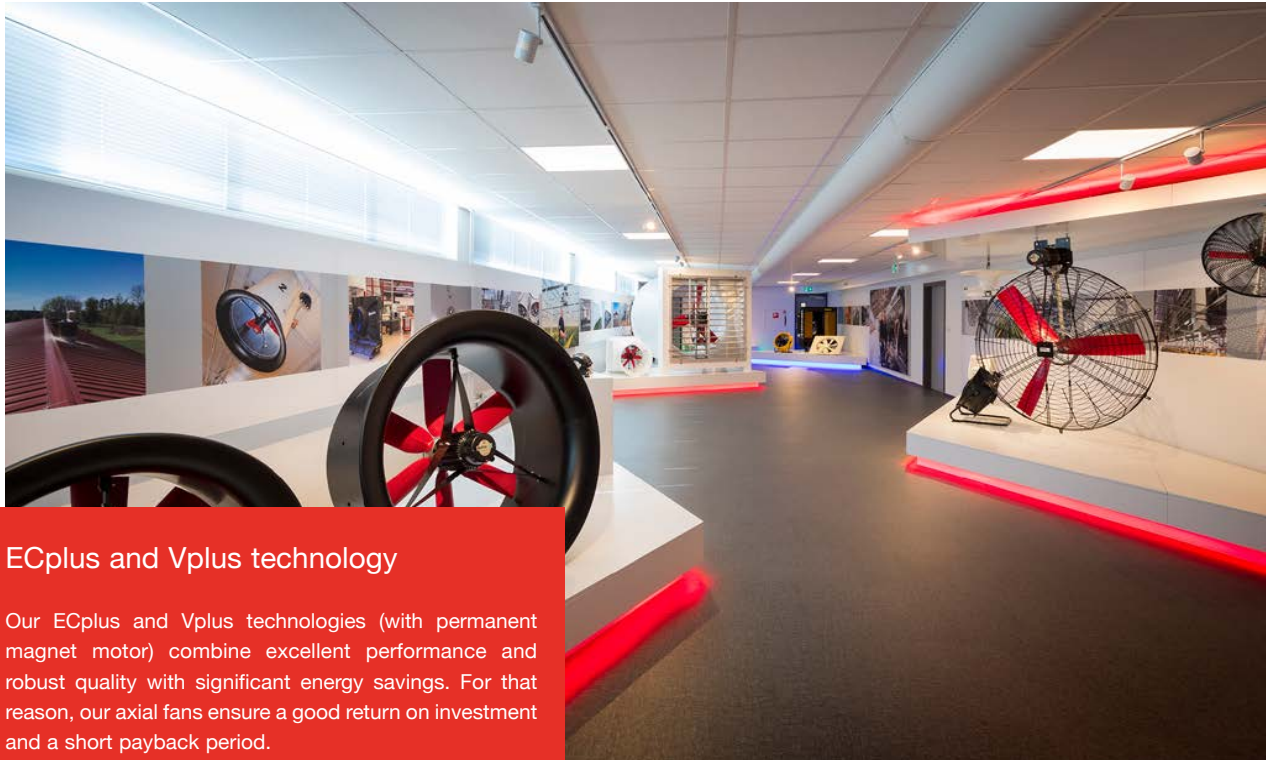




Save more energy

Our standard fans are also available in extra an energy-efficient variant. With the help of the MFD frequency controller, it is possible to lower the speed of these fans on a continuous scale. For every 20% reduction in speed, the fan's energy consumption is halved. To provide optimum protection for the sensitive electronics

inside a controller, the fan is placed in a separate housing with at least IP65 protection class. This is essential to safeguard reliability in even the most extreme environments.



ECplus and Vplus technology
Our ECplus and Vplus technologies (with permanent magnet motor) combine excellent performance and robust quality with significant energy savings. For that reason, our axial fans ensure a good return on investment and a short payback period.

Why choose Vostermans Ventilation:

LOYAL TO YOU
We care for your specific needs based on our long expertise. In close cooperation with you we secure your business outcomes.

RELIABLE
Since our foundation in the Netherlands in 1952, we maintain our reputation as reliable partner. Our carefully selected global network of independent distributors strive to deliver you dedicated service and expertise.

FUTURE PROOF
Our future proof approach, which combines energy efficiency solutions with robust quality and rigorous testing, is based on a genuine commitment to serve as a trusted partner.

Vostermans Ventilation is a global developer and manufacturer of sustainable axial fans for the agricultural and industrial market. Sustainability is key for Vostermans. Their premium brandlines Multifan and EMI are showcasing the drive for advanced energy efficient fans. The company applies continuous innovation and research in their own motor production facility and in house state of the art R&D department. Vostermans Ventilation, part of Vostermans Companies founded in 1952, is based in Venlo, the Netherlands and operates in USA, China and Malaysia.



YOUR SPECIALIST IN AIR

All rights reserved. Vostermans Companies is not responsible for inaccurate or incomplete data. In case of any questions and / or remarks please contact ventilation@vostermans.com. Subject to alterations 03/2024

Venlo - The Netherlands
Tel. +31 (0)77 389 32 32
ventilation@vostermans.com

Bloomington, IL- USA
Tel. +1 309 827-9798
ventilation@vostermansusa.com

Tmn Klang Jaya - Malaysia
Tel. +60 (0)3 3324 3638
ventilation@vostermansasia.com

Shanghai - China
Tel. +86 21 5290 2889
ventilation@vostermanschina.com

www.vostermans.com



Get In Touch

Call: [0845 6880112](tel:08456880112)
Email: info@adremit.co.uk

Our Address

Puravent, Adremit Limited, Unit 5a, Commercial Yard, Settle, North Yorkshire, BD24 9RH

Get In Touch

Call: [0845 6880112](tel:08456880112)
Email: info@adremit.co.uk

Our Address

Puravent, Adremit Limited, Unit 5a, Commercial Yard, Settle, North Yorkshire, BD24 9RH

