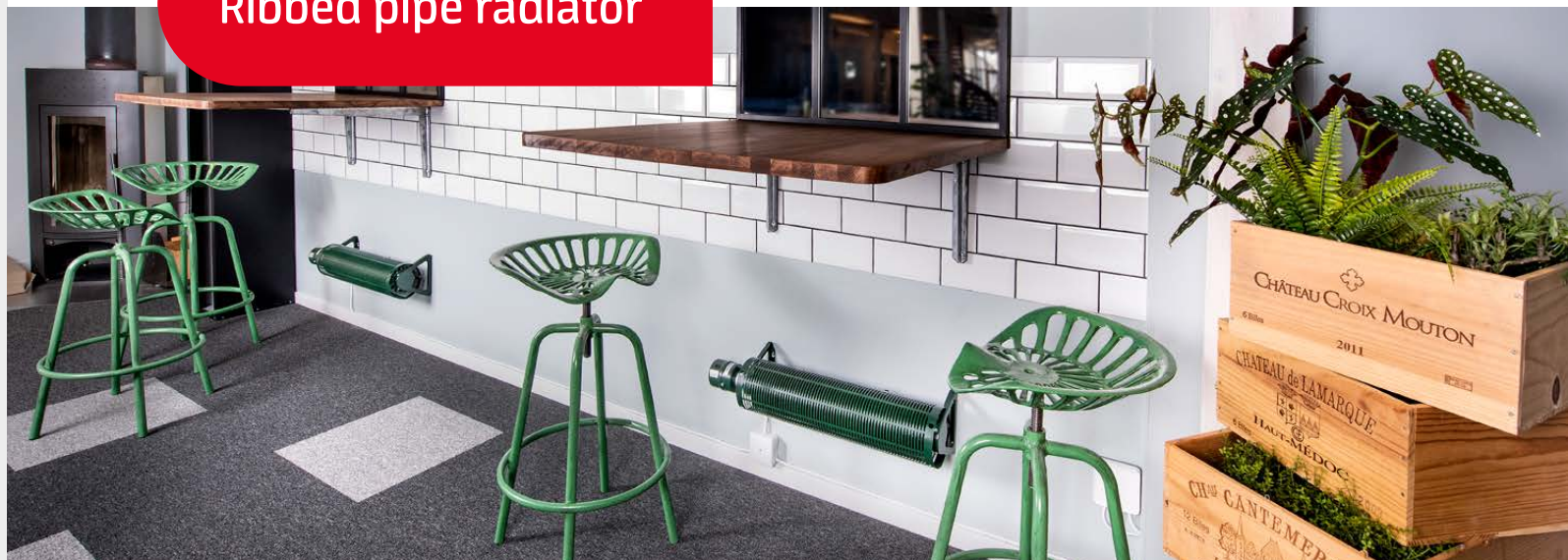


Ribbed pipe radiator



Robust and hard wearing ribbed pipe radiator in a retro design

Frico's ribbed pipe radiators are designed for harsh environments and are approved for wet rooms, but are also available in designs for rooms at risk of fire. The retro design has also created a new application area in modern housing.

Comfort

Convectors and radiators from Frico efficiently produce pleasant heat. Heat distribution in the room is good at the same time as the warm air flow directed upwards can be used to counteract cold draughts from the windows.

Operation and economy

The possibility of choosing products with different outputs results in energy efficient heating irrespective of whether the whole building is to be heated or only frost protection is required. A long life and minimum maintenance also reduce costs.

Design

Frico's ribbed pipe radiators have a hard wearing and robust design in sheet steel. The compact format means the radiator has a small footprint, but gives a lot of heat.



Product specifications

- The ribbed pipe radiator is available in the following designs:
 - **Model 125**
 - **Model 127**, sand-filled and suitable for rooms at risk to fire.
- The ribbed flanges increase the heating surface and provide good heat transfer combined with a compact design.
- A protective steel case give a lower surface temperature and extra protection against impact (model 125).
- To comply with Ecodesign Regulation (EU) 2015/1188 the unit must be installed with thermostat TAP16R (accessory). TAP16R has adaptive start, week program and open window detection.
- Floor brackets are available as an accessory.

Design and specifications are subject to change without notice.

Get In Touch

Call: [0845 6880112](tel:08456880112)
 Email: info@adremit.co.uk

Our Address

Puravent, Adremit Limited, Unit 5a, Commercial Yard,
 Settle, North Yorkshire, BD24 9RH

Ribbed pipe radiator 125 (IP44)

Item number	Type	Output [W]	Voltage [V]	Colour**1,*2	LxHxD [mm]	Weight [kg]
6980	125-12B	200	230V~	Dark green	370x180x185	2,4
6981	125-22B	375	230V~	Dark green	530x180x185	3,3
6983	125-32B	575	230V~	Dark green	730x180x185	4,5
276670	125-32W	575	230V~	White	730x180x185	4,5
276673	125-32G	575	230V~	Grey	730x180x185	4,5
6985	125-42B	775	230V~	Dark green	880x180x185	5,5
276671	125-42W	775	230V~	White	880x180x185	5,5
276674	125-42G	775	230V~	Grey	880x180x185	5,5
323310	125-52B	1150	230V~	Dark green	1185x180x185	7,5
276672	125-52W	1150	230V~	White	1185x180x185	7,5
276675	125-52G	1150	230V~	Grey	1185x180x185	7,5

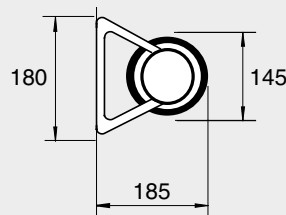
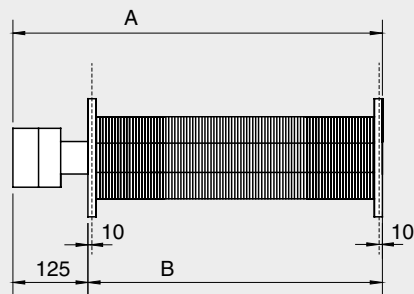
*) RAL 6005 (dark green), RAL 7046 (grey) and RAL 9016 (white). Other colours available on request.

Ribbed pipe radiator 127, for use in combustible areas (sand filled) (IP44)

Item number	Type	Output [W]	Voltage [V]	Colour**1,*2	LxHxD [mm]	Weight [kg]
6990	127-22B	500	230V~	Dark green	980x180x185	10,9
6991	127-42B	800	230V~	Dark green	1925x180x185	33,3

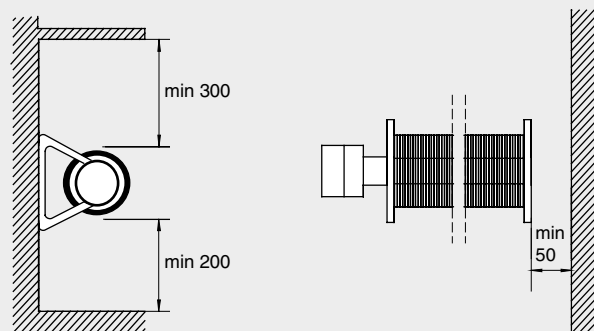
*) RAL 6005 (dark green). Other colours available on request.

Dimensions



	A [mm]	B [mm]
125-12B	370	245
125-22B	530	405
125-32B/W/G	730	605
125-42B/W/G	880	755
125-52B/W/G	1185	1060
127-22B	980	855
127-42B	1925	1800

Minimum distances



Get In Touch

Call: 0845 6880112
Email: info@adremit.co.uk

Our Address

Puravent, Adremit Limited, Unit 5a, Commercial Yard, Settle, North Yorkshire, BD24 9RH



Ribbed pipe radiator

Mounting



Mounting

The ribbed pipe radiator is installed horizontally on the wall with the connection box to the left seen from the front. For minimum dimensions with permanent installation, see figure.

Electrical installation

The ribbed pipe radiator is intended for permanent installation.

For wiring diagrams and other technical information, please see the manual.



Accessories

FBRP, floor brackets for ribbed pipe radiator

Floor brackets that enable floor mounting (x2). Height: 370 mm. Colour: RAL 6005 (dark green), RAL 7046 (grey) and RAL 9016 (white).

Item number	Type	Description	Colour	HxD [mm]
79403	FBRP	Floor brackets (2 pcs)	Dark green	370x170
382434	FBRPW	Floor brackets (2 pcs)	White	370x170
382435	FBRPG	Floor brackets (2 pcs)	Grey	370x170



Installed by a window the ribbed pipe radiators effectively counteract cold draughts that frequently form by large glazed areas.



The origins of Frico's ribbed pipe radiators can be traced back to the 1930s, but they are just as suitable, hard wearing and functional today.

Get In Touch

Call: 0845 6880112
Email: info@adremit.co.uk

Our Address

Puravent, Adremit Limited, Unit 5a, Commercial Yard, Settle, North Yorkshire, BD24 9RH



Ribbed pipe radiator

Control options



To comply with Ecodesign Regulation (EU) 2015/1188 the unit must be installed with thermostat TAP16R (accessory). The product can be controlled in a different way, e.g. by an overall control system (BMS) as long as the requirements of Ecodesign Regulation are met.

TAP16R, electronic thermostat

Programmable thermostat for room/floor heating. Processor controlled with digital display and built-in clock. A number of weekly preset programs simplify programming. Several advanced features are included such as adaptive function, open window mode, energy saving and frost protection programs. Setting range: +5 - +37 °C. 230V. Max. breaking current: 16A. IP21.

TEP44, protective enclosure for TAP16R

Enclosure which is required should TAP16R be used in environments which demand IP44 and used in conjunction with external room temperature sensor (RTX54) which replaces the internal sensor.



RTX54, external room temperature sensor

Replaces internal sensor when using TEP44. Can also be used to achieve an improved detection point in the room when locating the control unit in order that the internal room temperature sensor does not show a relevant value. Cable length: max. 50 m. NTC10KΩ. IP54.

Item number	Type	Description	HxWxD [mm]
92790	TAP16R	Electronic thermostat, 16A, IP21	87x87x53
205540	TEP44	Protective enclosure for TAP16R, IP44. Must be supplemented with external sensor.	87x87x55
93044	RTX54	External room temperature sensor. Replaces internal sensor. NTC10KΩ, IP54	82x88x25

Controls for installations not covered by the Ecodesign Regulation (EU) 2015/1188

When the heater is used for technical heating purposes, and not as a local space heater, the following controls can be used.



KRT1900/KRTV19, capillary tube thermostats

Capillary tube thermostat with concealed (KRT1900) or visible knob (KRTV19). Setting range 0 - +40 °C. Max. breaking current: 16/10 A (230/400V). IP55 (KRT1900) or IP44 (KRTV19).

Item number	Type	Description	HxWxD [mm]
5999	KRT1900	Capillary tube thermostat, IP55	165x57x60
10214	KRTV19	Capillary tube thermostat with knob, IP44	165x57x60

Get In Touch

Call: 0845 6880112
Email: info@adremit.co.uk

Our Address

Puravent, Adremit Limited, Unit 5a, Commercial Yard, Settle, North Yorkshire, BD24 9RH