



AXCBF Axial Fans

Bifurcated axial fan for high temperature extraction



- Up to 200°C
- Bifurcated casing
- Performance tested

[Find more details in our online catalogue](#)

Application

The bifurcated build of the AXCBF range is designed for the extraction of dirty, humid and hot air up to 200°C.

Sturdy and dependable design

Corrosion-proof **aluminum impellers**, **IE3** high-efficiency **motors** and a **hot-dip galvanized steel casing** ensure **high quality** and a **long life time**.

Tested according to ISO 5801 and AMCA 210

The AXC axial fans have been **performance tested** in accordance with **ISO 5801** and **AMCA 210** standards on the Systemair fan test rig.

Features

Construction

The **bifurcated casing** is made from **hot-dip galvanised steel** according to ISO 1461 with **pre-drilled flanges**. The terminal box with **IP 65** is mounted outside on the casing.

Impeller

The impellers are made of **aluminum** and are **dynamically balanced** in accordance with ISO 21940-11, balancing quality G6,3, and vibration limits according to ISO 14694.

Motor

Standard models are driven by three-phase **AC motors** with efficiency **IE3** suitable for **50Hz**.

The motor is **outside** the **airflow**.

Motor protection

The **motors** are equipped with **PTC thermistors** for motor protection.

Control

Motors can be speed controlled by **frequency inverter** between 10 and 60 Hz.

Installation

The **AXCBF** fans can be installed in different positions **indoor** and **outdoor** (for more information see the manual).

Recommended **accessories**: flexible connections, vibration dampers, mounting feet.

Get In Touch

Call: [0845 6880112](tel:08456880112)
 Email: info@adremit.co.uk

Our Address

Puravent, Adremit Limited, Unit 5a, Commercial Yard, Settle, North Yorkshire, BD24 9RH





Technical parameters

Nominal data		
Voltage (nominal)	400	V
Frequency	50	Hz
Phases	3~	
Motor circuit connection	D; Y	
Input power	348	W
Input power kW	0.348	kW
Nominal power at shaft (P2)	0.55	kW
Input current	1.5	A
Impeller speed	1,460	rpm
Air flow	max 1.006	m³/s
Temperature of transported air	max 200	°C
Sound data		
Sound pressure level at 1m	80	dB(A)
Protection/Classification		
Enclosure class, motor	IP55	
Insulation class	F	
Ambient and duct temperature		
Permitted ambient temperature	max 55	°C
Dimensions and weights		
Duct dimension; Circular, inlet	400	mm
Duct dimension; Circular, outlet	400	mm
Weight	45.1	kg
Others		
Duct connection type	Circular	
Motor type	AC	

Get In Touch



Call: 0845 6880112

Email: info@adremit.co.uk

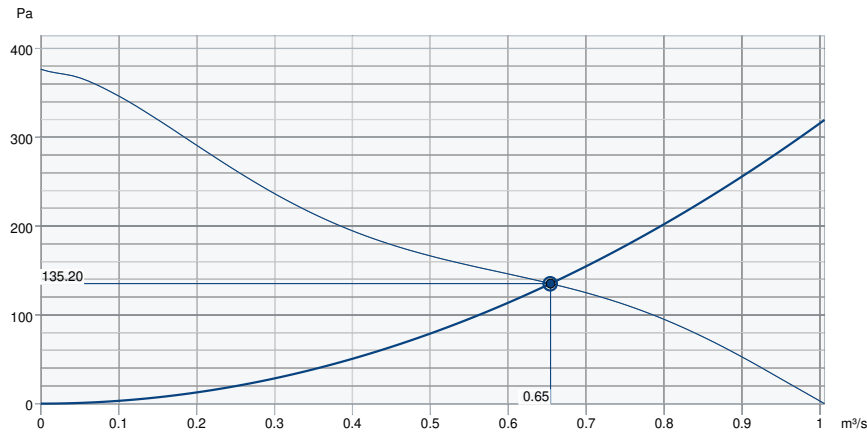
Our Address

Puravent, Adremit Limited, Unit 5a, Commercial Yard,
Settle, North Yorkshire, BD24 9RH



Performance

Performance curve



Hydraulic data

Required air flow	0.65 m³/s
Required static pressure	135 Pa
Working air flow	0.65 m³/s
Working static pressure	135 Pa
Air density	1.204 kg/m³
Power	351.4 W
Fan control - RPM	1,460 rpm
Current	1.16 A
SFP	0.537 kW/m³/s
Control voltage	400.0 V
Supply voltage	400 V

Get In Touch

Call: [0845 6880112](tel:08456880112)
 Email: info@adremit.co.uk

Our Address

Puravent, Adremit Limited, Unit 5a, Commercial Yard,
 Settle, North Yorkshire, BD24 9RH





Acoustic

Mid-frequency band, Hz

	Hz	Tot	63	125	250	500	1k	2K	4K	8K
LwA inlet /outlet	dB(A)	82	77	76	77	76	75	72	67	61

Measuring point: qv = 0,7 m3/s, Ps = 127 Pa

Get In Touch

Call: [0845 6880112](tel:08456880112)
 Email: info@adremit.co.uk

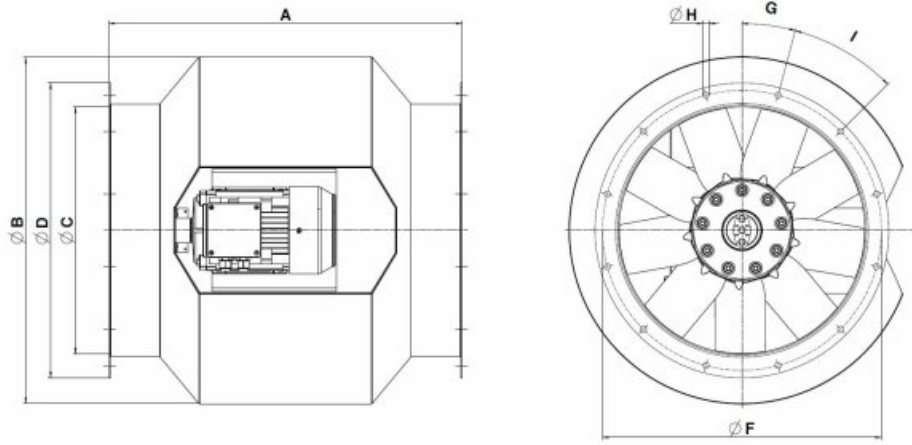
Our Address

Puravent, Adremit Limited, Unit 5a, Commercial Yard,
Settle, North Yorkshire, BD24 9RH





Dimension



	A	ØB	ØC	ØD	ØF	G	ØH	I
AXCBF 400	625	585	400	480	450	22,5°	12	8 x 45°

Get In Touch



Call: [0845 6880112](tel:08456880112)



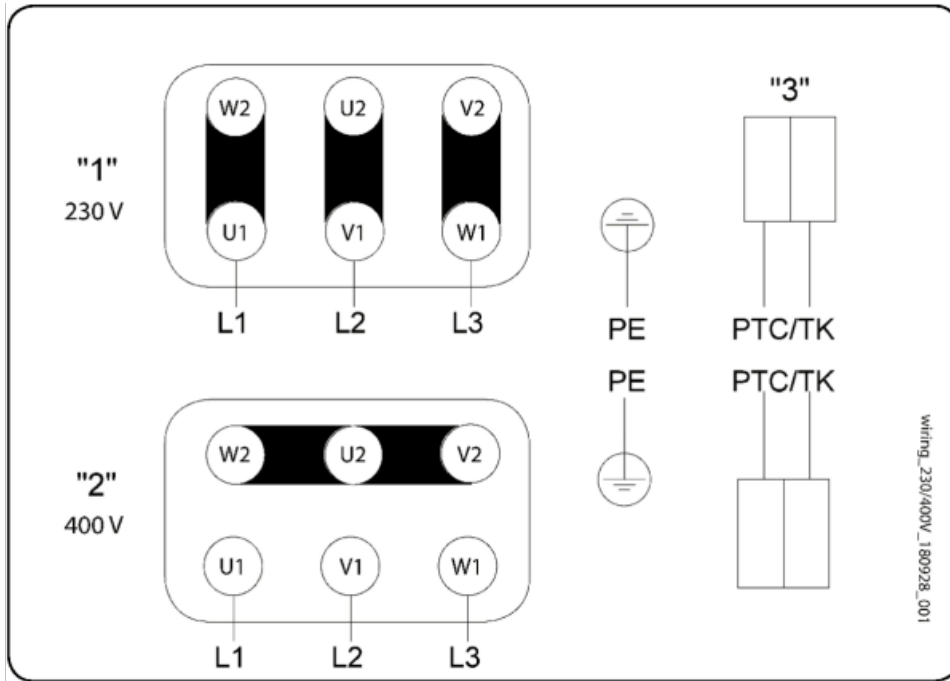
Email: info@adremit.co.uk

Our Address

Puravent, Adremit Limited, Unit 5a, Commercial Yard,
Settle, North Yorkshire, BD24 9RH



Wiring



230/400V motor

- "1" 3 x 230V Delta connection
- "2" 3 x 400V Star connection
- "3" Thermal motor protection optional

See motor name plate!

Get In Touch

Call: [0845 6880112](tel:08456880112)
 Email: info@adremit.co.uk

Our Address

Puravent, Adremit Limited, Unit 5a, Commercial Yard,
 Settle, North Yorkshire, BD24 9RH



Accessories

- EVH 400 flex.conn. AXC 400°C (8366)
- Frequency converter FRQ5-4A (36229)
- Frequency converter FRQS-4A (36231)
- GFL-AR/AXC 400 counter flange (8378)
- MFA-AXCBF 400 mounting foot (308726)
- RSA 400/400/070 (F) (311352)
- RSA 400/800/070 (F) (311354)
- U-EK230E Motor protection (30199)
- FSAF400FC Flx con ea 90°C (8633)
- FSAF400FTBIF Mtg ft ea bif (17331)
- FSAFAV MP0 33 Green each (8940)
- Frequency converter FRQ-4A (36227)
- Frequency converter FRQ5S-4A (36233)
- FSD1 AXC spring set 4 ≤64kg (311438)
- LRK 400(F) air oper. damper (8318)
- REV-5POL/07-7,5kW R/Y (33980)
- RSA 400/600/070 (F) (311353)
- SG AXC/AM/AR 400 guard grill (310687)
- FC102-1,1kW/3A-IP55, 150/50m (36158)
- FSAF400FCHT Flx con ea 250°C (17320)
- FSAF400MFX Flange ea dual (58204)

Documents

- technical-documentation-manuals_308013_EN_015
- UKCA-declaration of conformity_AXC_006.pdf

Get In Touch

-  Call: [0845 6880112](tel:08456880112)
-  Email: info@adremit.co.uk

Our Address

Puravent, Adremit Limited, Unit 5a, Commercial Yard,
Settle, North Yorkshire, BD24 9RH