



## CB Electrical duct heaters

### Electrical duct heater for standard circular spiral ducts

- Compact design
- Horizontal or vertical installation
- Spigot connection
- Double overheating protection

[Find more details in our online catalogue](#)

#### Wide range

Duct heater available in **wide range** of connection diameters **up to 400 mm** and capacities **up to 12 kW**.

#### Robust materials

The electrical duct heater is manufactured from **aluzinc-coated sheet steel** with a heating element in **stainless steel**.

#### Flexible installation in spiral ducts

The electrical duct heater has a **spigot connection** with rubber sealings for fitting to standard spiral ducts and designed for installation in both a **horizontal** or **vertical** position.

#### Double protection

The duct heater is equipped with **two integrated protections** (one with **automatic reset** and one with **manual reset**), to **prevent overheating** in case of a fault in the system.

### CBM 160-2,1 230V/1 Duct heater

**Duct heater DN 160, electric, 2,1kW, 230V1~, control temp**

Duct heater with integral control equipment

Duct heater with spigot connection for standard spiral circular ducts. Manufactured from Aluzinc-coated sheet steel with a heating element in stainless steel. The CBM has rubber seals on the connecting spigots.

The temperature is set on the cover of the duct heater. The heater has double integral overheating protection: one with automatic and one with manual reset. The unit is controlled by an integral electronic temperature regulator, using so-called time-proportional Pulse/Pause technology. This provides extremely precise temperature control. As a thyristor is used for adjusting the temperature, the unit has no moving parts. This means that it is silent and not susceptible to wear and tear. Terminals for interlocking the heater, via a pressure- and airflow guard are available in the terminal box.

The minimum air volume is based on a minimum air velocity of 1.5 m/s. These duct heaters are designed for a maximum output air temperature of 50°C.

The CBM can be installed in a horizontal or vertical position. In a horizontal position, the connection box should be installed facing upwards, or rotated 90° to one side. Installation with the connection box facing downwards is not allowed.

All CBMs are delivered with duct sensor TG-K330 (0-30°C) as standard.

#### Get In Touch

Call: [0845 6880112](tel:08456880112)  
Email: [info@adremit.co.uk](mailto:info@adremit.co.uk)

#### Our Address

Puravent, Adremit Limited, Unit 5a, Commercial Yard,  
Settle, North Yorkshire, BD24 9RH



## Technical parameters

Nominal data		
Voltage (nominal)	230	V
Voltage type	AC	
Frequency	50	Hz
Phases	1~	
Input power	2,100	W
Input power kW	2.1	kW
Input current	9.1	A
Air flow	min. 0.03	m <sup>3</sup> /s
Ambient and duct temperature		
Permitted ambient temperature	max 40	°C
Dimensions and weights		
Duct dimension; Circular, inlet	160	mm
Duct dimension; Circular, outlet	160	mm
Weight	3.4	kg
Others		
Duct cooler/heater	Electric heater	
Duct connection type	Circular	

### Get In Touch

 Call: [0845 6880112](tel:08456880112)  
 Email: [info@adremit.co.uk](mailto:info@adremit.co.uk)

### Our Address

Puravent, Adremit Limited, Unit 5a, Commercial Yard,  
 Settle, North Yorkshire, BD24 9RH





## Performance

### Get In Touch



Call: [0845 6880112](tel:08456880112)



Email: [info@adremit.co.uk](mailto:info@adremit.co.uk)

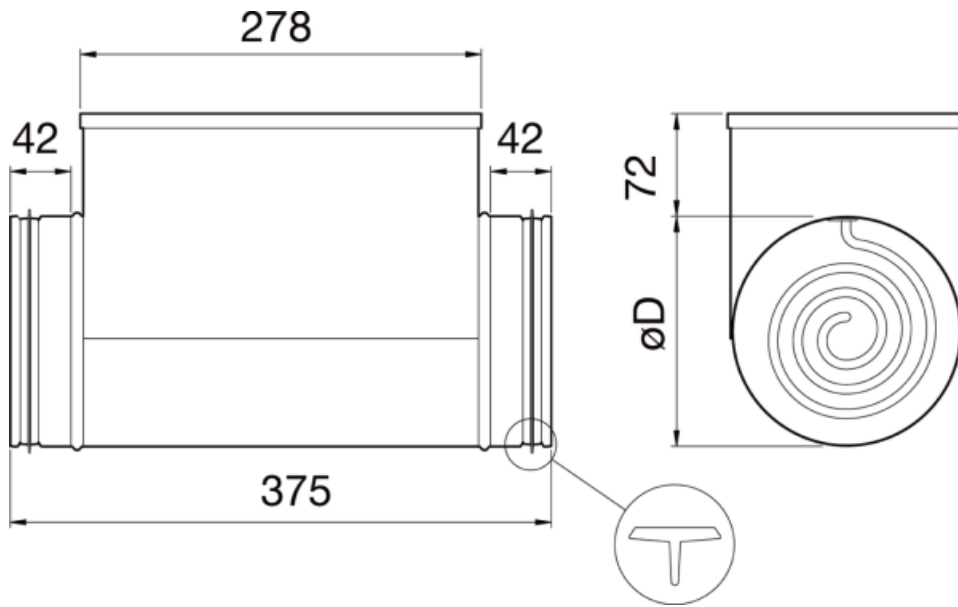
### Our Address

Puravent, Adremit Limited, Unit 5a, Commercial Yard,  
Settle, North Yorkshire, BD24 9RH





### Dimension



ø D = 160

#### Get In Touch

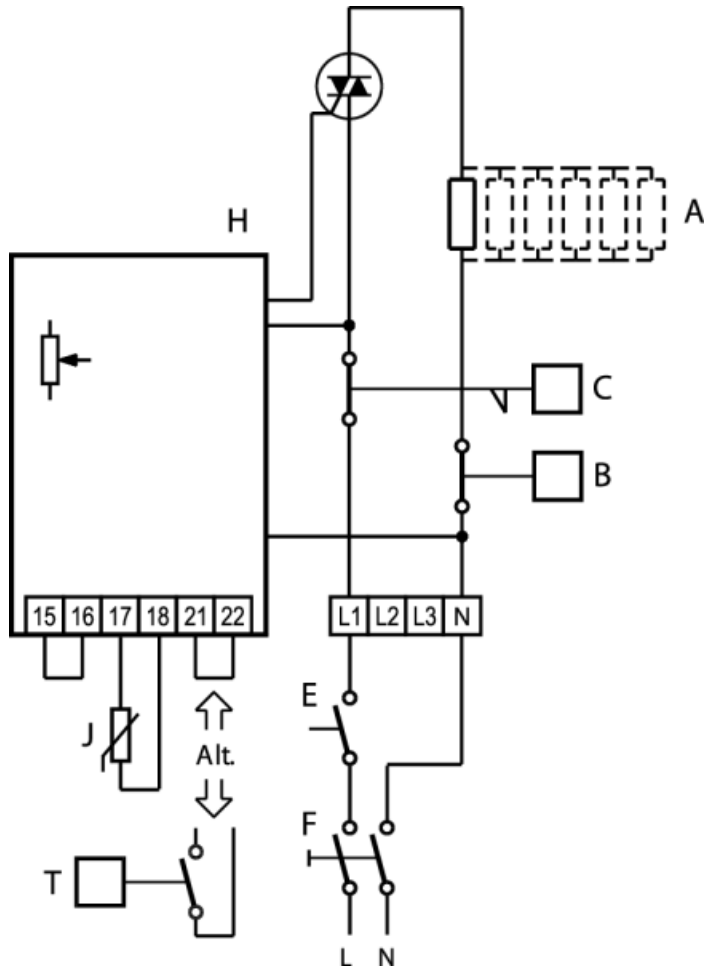
 Call: [0845 6880112](tel:08456880112)  
 Email: [info@adremit.co.uk](mailto:info@adremit.co.uk)

#### Our Address

Puravent, Adremit Limited, Unit 5a, Commercial Yard,  
Settle, North Yorkshire, BD24 9RH



## Wiring



- A = Heating elements
- B = Over heat protection with automatic reset
- C = Over heat protection with manual reset
- E = Interlocking
- F = All phase breaker
- H = Thyristor type Pulse or TTC
- J = Sensor
- T = Air flow switch/Pressure switch

### Get In Touch

Call: 0845 6880112  
 Email: [info@adremit.co.uk](mailto:info@adremit.co.uk)

### Our Address

Puravent, Adremit Limited, Unit 5a, Commercial Yard,  
 Settle, North Yorkshire, BD24 9RH



## Accessories

- DTV200 (6261)
- TG-K330 Duct Sensor 0-30°C (5160)
- TG-R530 Room sensor 0-30°C (5163)
- DTV500A (96807)
- TG-R430 Room sensor 0-30°C (5162)
- TG-R630 External sensor (5164)

## Documents

- CB-CBM-CBMF\_FITTING\_INSTRUCTION.pdf
- DECL\_OF\_CONFORMITY\_CB\_CBM\_CBMF\_CBMB\_2020-09.PDF

### Get In Touch



Call: [0845 6880112](tel:08456880112)



Email: [info@adremit.co.uk](mailto:info@adremit.co.uk)

### Our Address

Puravent, Adremit Limited, Unit 5a, Commercial Yard,  
Settle, North Yorkshire, BD24 9RH