



CB Electrical duct heaters

Electrical duct heater for standard circular spiral ducts

- Compact design
- Horizontal or vertical installation
- Spigot connection
- Double overheating protection

[Find more details in our online catalogue](#)

Wide range

Duct heater available in **wide range** of connection diameters **up to 400 mm** and capacities **up to 12 kW**.

Robust materials

The electrical duct heater is manufactured from **aluzinc-coated sheet steel** with a heating element in **stainless steel**.

Flexible installation in spiral ducts

The electrical duct heater has a **spigot connection** with rubber sealings for fitting to standard spiral ducts and designed for installation in both a **horizontal** or **vertical** position.

Double protection

The duct heater is equipped with **two integrated protections** (one with **automatic reset** and one with **manual reset**), to **prevent overheating** in case of a fault in the system.

CB 200-3,0 230V/1 Duct heater

Duct heater DN 200, electric, 3,0kW, 230V1~

Electrical duct heater

Duct heater with spigot connection for standard spiral circular ducts. Manufactured from Aluzinc-coated sheet steel with a heating element in stainless steel. The CB heater has rubber seals on the connecting spigots.

The heater has double integral overheating protection: one with automatic and one with manual reset. Suitable for control by room thermostat or Pulser regulator (additional accessories).

The minimum air volume is based on a minimum air velocity of 1.5 m/s. These duct heaters are designed for a maximum output air temperature of 50°C.

The CB can be installed in a horizontal or vertical position. In a horizontal position, the connection box should be installed facing upwards, or rotated 90° to one side. Installation with the connection box facing downwards is not allowed.

Get In Touch



Call: 0845 6880112



Email: info@adremit.co.uk

Our Address

Puravent, Adremit Limited, Unit 5a, Commercial Yard, Settle, North Yorkshire, BD24 9RH



Technical parameters

Nominal data		
Voltage (nominal)	230	V
Voltage type	AC	
Frequency	50	Hz
Phases	1~	
Input power	3,000	W
Input power kW	3	kW
Input current	13	A
Air flow	min. 0.0469	m ³ /s

Ambient and duct temperature		
Permitted ambient temperature	max 30	°C

Dimensions and weights		
Duct dimension; Circular, inlet	200	mm
Duct dimension; Circular, outlet	200	mm
Weight	4	kg

Others		
Duct cooler/heater	Electric heater	
Duct connection type	Circular	

Get In Touch

 Call: [0845 6880112](tel:08456880112)
 Email: info@adremit.co.uk

Our Address

Puravent, Adremit Limited, Unit 5a, Commercial Yard,
Settle, North Yorkshire, BD24 9RH





Performance

Calculation result	
Min. air flow	0.05 m³/s
Max power	3.00 kW
Voltage	230 V
Phases	1
Current	13.04 A
Air flow	0.03 m³/s
Percent power used	6 %
Inlet air temperature	15.0 °C
Outlet air temperature	20.0 °C
Inlet air humidity	90 % r.H
Outlet air humidity	66 % r.H
Pressure drop	0 Pa

Get In Touch

 **Call:** [0845 6880112](tel:08456880112)
 **Email:** info@adremit.co.uk

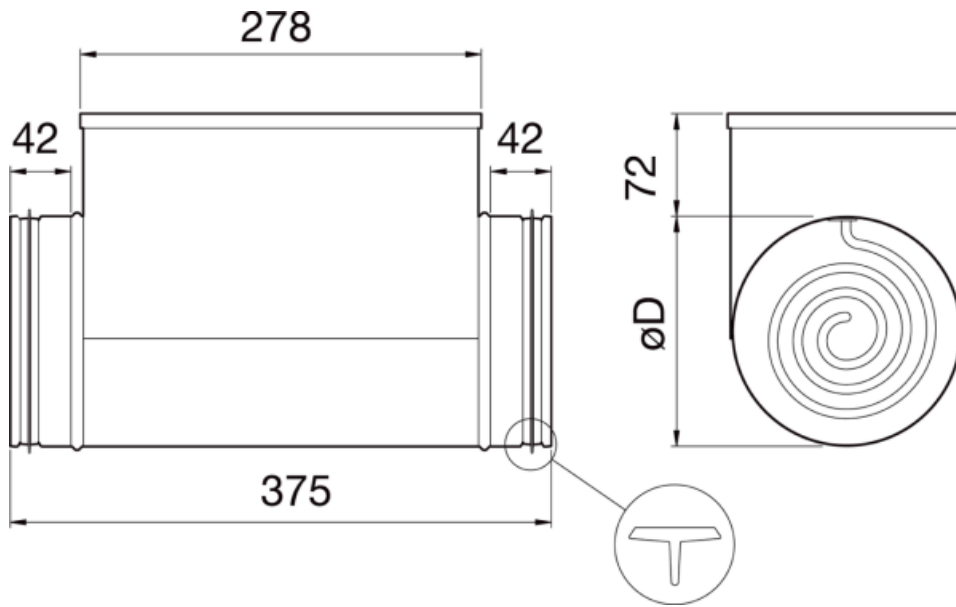
Our Address

Puravent, Adremit Limited, Unit 5a, Commercial Yard,
 Settle, North Yorkshire, BD24 9RH







Dimension



$\varnothing D = 200 \text{ mm}$

Get In Touch

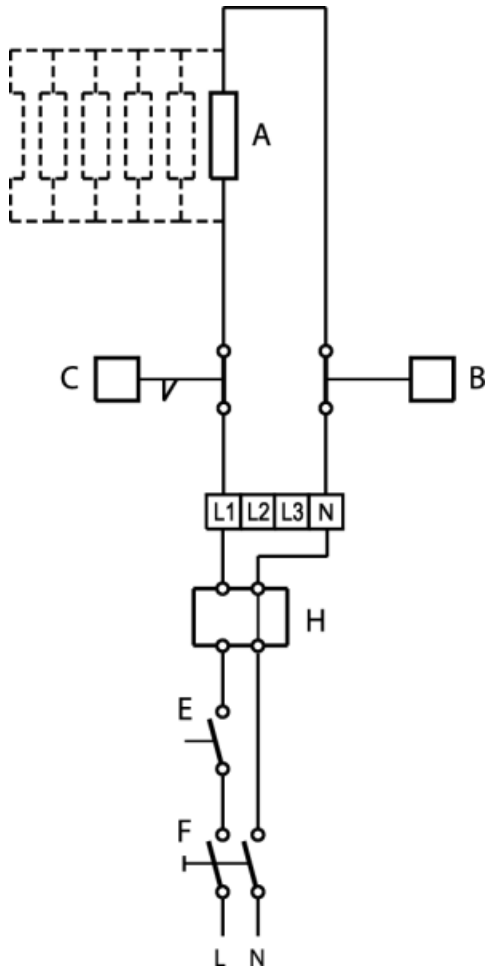
 Call: [0845 6880112](tel:08456880112)
 Email: info@adremit.co.uk

Our Address

Puravent, Adremit Limited, Unit 5a, Commercial Yard,
Settle, North Yorkshire, BD24 9RH



Wiring



- A = Heating elements
- B = Over heat protection with automatic reset
- C = Over heat protection with manual reset
- E = Interlocking
- F = All phase breaker
- H = Thyristor type Pulser or TTC

Get In Touch

Call: [0845 6880112](tel:08456880112)
 Email: info@adremit.co.uk

Our Address

Puravent, Adremit Limited, Unit 5a, Commercial Yard,
 Settle, North Yorkshire, BD24 9RH





Accessories

- Pulser M Temperature control (5144)
- DTV500A (96807)
- DTV200 (6261)

Documents

- CB-CBM-CBMF_FITTING_INSTRUCTION.pdf
- DECL_OF_CONFORMITY_CB_CBM_CBMF_CBMB_2020-09.PDF

Get In Touch



Call: [0845 6880112](tel:08456880112)



Email: info@adremite.co.uk

Our Address

Puravent, Adremite Limited, Unit 5a, Commercial Yard,
Settle, North Yorkshire, BD24 9RH