



SAVE Air Handling Units

Crisp, fresh, and clean air for every home.

[Find more details in our online catalogue](#)

Unlock even greater efficiency

SAVE AHUs come with different heating and cooling recovery methods. Allowing you to further boost the energy efficiency of your units, wherever they're installed.

Performance you can rely on

Our heat exchanger systems automatically regulates the heat/cool recovery and has automatic defrosting functions. Your SAVE AHUs will keep you comfortable inside, no matter the weather on the outside.

For buildings big and small

Whether you're building a new home or renovating an apartment block, SAVE air handling units are a perfect match for any indoor spaces up to 550m².

Health and safety first

SAVE air handling units are Eurovent certified and ErP compliant, easy to service and maintain. So you can relax – knowing the air you breathe is clean and pure.

Full control, from anywhere

All SAVE units come with SAVE Control – multiple, easy-to-use interfaces that let you communicate with your AHUs wherever you are.

Get In Touch

Call: 0845 6880112
Email: info@adremit.co.uk

Our Address

Puravent, Adremit Limited, Unit 5a, Commercial Yard, Settle, North Yorkshire, BD24 9RH



Certifications



Eurovent Certified Performance

Get In Touch

 **Call:** [0845 6880112](tel:08456880112)
 **Email:** info@adremit.co.uk

Our Address

Puravent, Adremit Limited, Unit 5a, Commercial Yard,
Settle, North Yorkshire, BD24 9RH





Technical parameters

Unit		
Frequency	50; 60	Hz
Voltage (nominal)	230	V
Phases	1~	
Recommended fuse	10 A	
Enclosure class	IP24	
Speed regulation	Stepless	
Product type	Heat recovery unit	
Temperature	-20 to 40	°C

Supply fan

Input power (P1), supply fan	35	W
------------------------------	----	---

Supply air filter

Filter class, supply air	ePM1 60%
--------------------------	----------

Extract air filter

Filter class, extract air	ePM10 50%
---------------------------	-----------

Exchanger

Heat exchanger rotor drive type	Variable speed
Heat exchanger	Rotating

Return fan / Extract fan

Input power (P1), extract fan	35	W
-------------------------------	----	---

Others

Fan control	Stepless voltage control
Installation type	Vertical
Supply side	Left; Right


Color casing

Color casing	Galvanized steel
--------------	------------------

Dimensions and weights

Weight	39	kg
--------	----	----

Get In Touch

 Call: [0845 6880112](tel:08456880112)
 Email: info@adremit.co.uk

Our Address

Puravent, Adremit Limited, Unit 5a, Commercial Yard,
Settle, North Yorkshire, BD24 9RH



ERP	
Energy class, Basic unit	A
Energy class, Local demand	A
ErP ready	ErP 2018; ErP 2016

Get In Touch

 **Call:** [0845 6880112](tel:08456880112)
 **Email:** info@adremit.co.uk

Our Address

Puravent, Adremit Limited, Unit 5a, Commercial Yard,
Settle, North Yorkshire, BD24 9RH



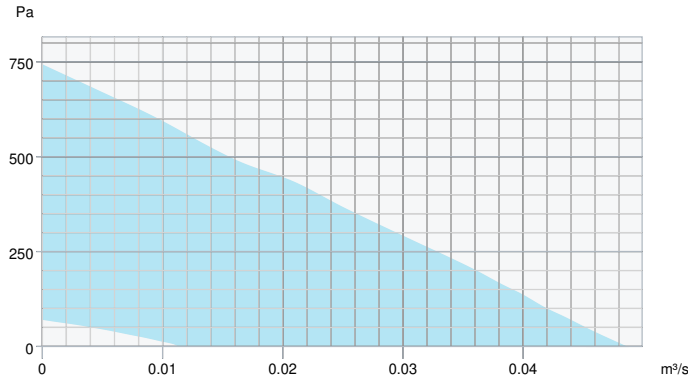


Performance

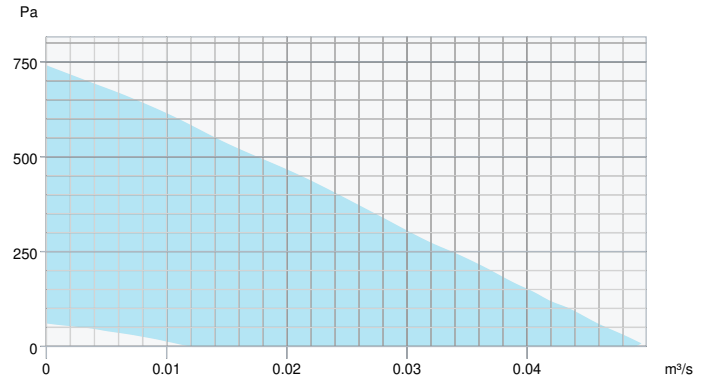
⚠ Recommended low airflow is outside valid range

⚠ Recommended high airflow is outside valid range

Supply - Performance curve



Extract - Performance curve



Unit	Supply	Extract
Air density	1.204 kg/m ³	
		Summer Winter
Supply air temperature		- -20.0 °C
Sound pressure level (reverberant field)	Total	

Get In Touch

📞 Call: 0845 6880112
✉ Email: info@adremit.co.uk

Our Address

Puravent, Adremit Limited, Unit 5a, Commercial Yard, Settle, North Yorkshire, BD24 9RH







Ecodesign

Product		
Trade name	Systemair	
Product name	SAVE VTR 100/B	
Basic unit		
ErP compliance	2018	
SEC Average	-34.1	kWh/(m ² .a)
SEC Cold	-77.1	kWh/(m ² .a)
SEC Warm	-9.5	kWh/(m ² .a)
SEC Class	A	
Unit category	RVU	
Unit type	BVU	
Drive	Integrated VSD	
Heat recovery type	Regenerative	
Temperature ratio	85	%
qv max	150	m ³ /h
P max	88	W
Sound power (LWA)	41	dB(A)
qv ref	0.029	m ³ /s
Ps ref	50	Pa
SPI	0.478	W/(m ³ /h)
CTRL	0.85	
MISC	1.1	
x-value	2	
External Leakage	3	%
Internal Leakage	Not applicable	
Carry over	4	%
Type of product	RAHU/AAHE	
AEC average	433	kWh/a
AEC cold	433	kWh/a
AEC warm	433	kWh/a
AHS Average	4,494	kWh/a
AHS Cold	8,792	kWh/a
AHS Warm	2,032	kWh/a

Article name: SAVE VTR 100/B | Product link: <https://shop.systemair.com/en-GB/productPermalink?p=609847> | Item Number: 488809 | Variant: Pleated Filters Standard kit | Document type: Product card | Created at: 11.11.2024 | Generated by: Systemair Online Catalogue | Language: English

Get In Touch

 **Call:** 0845 6880112
 **Email:** info@adremmit.co.uk

Our Address

Puravent, Adremmit Limited, Unit 5a, Commercial Yard,
 Settle, North Yorkshire, BD24 9RH







Units with local demand control		
ErP compliance	2016/2018	
SEC Average	-39.6	kWh/(m ² .a)
SEC Cold	-83.5	kWh/(m ² .a)
SEC Warm	-14.4	kWh/(m ² .a)
SEC Class	A	
Unit category	RVU	
Unit type	BVU	
Drive	Integrated VSD	
Heat recovery type	Regenerative	
Temperature ratio	85	%
qv max	150	m ³ /h
P max	88	W
Sound power (LWA)	41	dB(A)
qv ref	0.029	m ³ /s
Ps ref	50	Pa
SPI	0.478	W/(m ³ /h)
CTRL	0.65	
MISC	1.1	
x-value	2	
External Leakage	3	%
Internal Leakage	Not applicable	
Carry over	4	%
Type of product	RAHU/AAHE	
AEC average	253	kWh/a
AEC cold	253	kWh/a
AEC warm	253	kWh/a
AHS Average	4,590	kWh/a
AHS Cold	8,979	kWh/a
AHS Warm	2,075	kWh/a

Article name: SAVE VTR 100/B | Product link: <https://shop.systemair.com/en-GB/productPermalink?p=609847> | Item Number: 488809 | Variant: Pleated Filters Standard kit | Document type: Product card | Created at: 11.11.2024 | Generated by: Systemair Online Catalogue | Language: English

Get In Touch

 **Call:** 0845 6880112
 **Email:** info@adremit.co.uk

Our Address

Puravent, Adremit Limited, Unit 5a, Commercial Yard, Settle, North Yorkshire, BD24 9RH

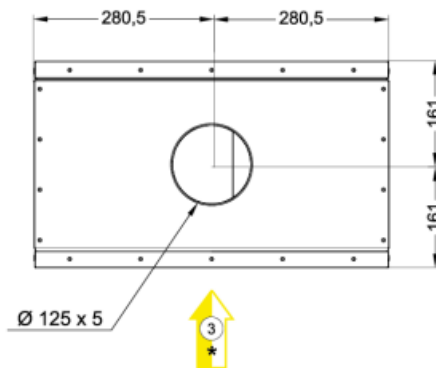
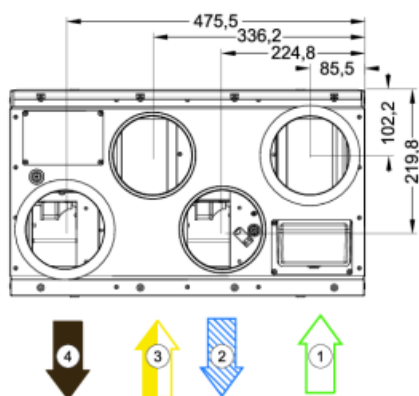
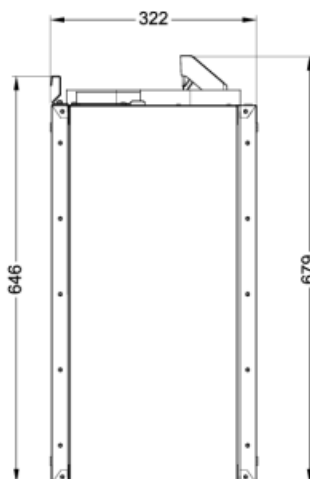
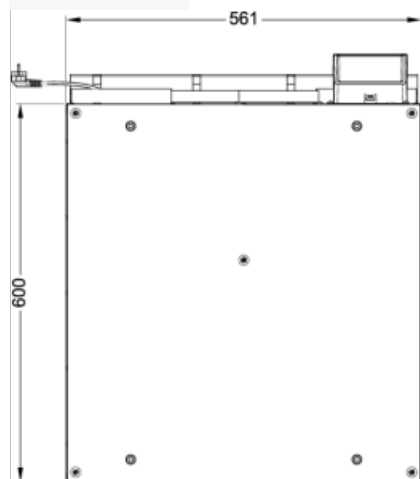




Dimension

* Connection for cooker hood

- 1 Outdoor air
- 2 Supply air
- 3 Extract air
- 4 Exhaust air



Get In Touch

Call: 0845 6880112
 Email: info@adremit.co.uk

Our Address

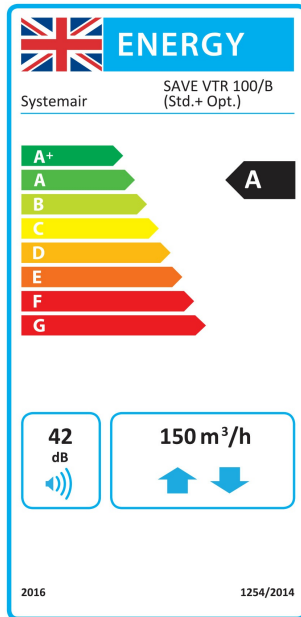
Puravent, Adremit Limited, Unit 5a, Commercial Yard,
 Settle, North Yorkshire, BD24 9RH





Energy class label

Energy class, Basic unit



Get In Touch

Call: 0845 6880112
Email: info@adremit.co.uk

Our Address

Puravent, Adremit Limited, Unit 5a, Commercial Yard,
Settle, North Yorkshire, BD24 9RH





Accessories

- SAVE CONNECT 2.0 (399999)
- SAVE LIGHT White (319118)
- SAVE TOUCH White (138077)
- Ceiling mounting kit VTR 100/B (155980)
- Pressure guard with pitot tube (212987)
- RMK (153549)
- SAVE Wall Mounted Kit (140736)
- Systemair-E CO2 sensor (14904)
- VBC 125-3 Water heating batt (9839)
- CB 125-1,2 230V/1 Duct heater (5290)
- CEC Cable w/plug 12m (24782)
- CEC Cable w/plug 6m (24783)
- Duct sensor -30-70C (211524)
- LDC 125-600 Silencer (5190)
- Surface sensor -30-150C (211523)
- 392-10/B Slimline White (77265)
- CVVX 125 Combi grille, white (26422)
- MONOLIT - B S.Steel (326801)
- Room sensor 0-50C (211525)
- SPI-125 C Iris damper (6751)
- TUNE-R-125-3-M2 (311948)
- TUNE-R-125-3-M5 (311978)
- ZTR 15-0,4 valve 3-way (9670)
- ZTV 15-0,4 2-way valve (9829)
- SAVE LIGHT Black (319119)
- SAVE TOUCH Black (138078)
- CB heater connection kit 1 ~ (142852)
- Presence detector/IR24-P (6995)
- PSS20 Transformer 24V (202692)
- RMK-T (153548)
- Systemair-E CO2 RH Temperature (211522)
- VAV/CAV conversion kit (140777)
- CB 125-0,6 230V/1 Duct heater (5289)
- CB 125-1,8 230V/1 Duct heater (5377)
- CEC Cable w/plug 15m (306594)
- CWK 125-3-2,5 Duct cooler,circ (30021)
- FK 125 Fast clamp (1608)
- LDC 125-900 Silencer (5191)
- VBC 125-2 Water heating batt (5457)
- CVVX 125 Combi grille, black (26421)
- Duct Cover White VTR 100/B (153760)
- MONOLIT - B White (326800)
- RVAZ4 24A Actuator 0-10V (9862)
- TUNE-R-125-3-M1 (311938)
- TUNE-R-125-3-M4 (311968)
- USB-Nano-485 (282047)
- ZTR 15-0,6 valve 3-way (6573)
- ZTV 15-0,6 2-way valve (6571)

Documents

- Control panel installation quick guide
- Disassembly guide
- Installation manual
- Installation manual SAVE CONNECT 2.0
- Modbus variable list
- Service and Accessories installation manual
- User manual
- Eurovent Certification Diploma
- Commissioning record
- Technical fiche
- Schematic layout and description of components
- UK Declaration of Conformity
- Electrical diagrams for accessories
- Wiring diagram

Get In Touch

- Call: [0845 6880112](tel:08456880112)
- Email: info@adremmit.co.uk

Our Address

Puravent, Adremmit Limited, Unit 5a, Commercial Yard, Settle, North Yorkshire, BD24 9RH

