



# TG-KH/PT1000 DUCT SENSOR

Item no. 202705

Document type: **Product card**  
 Document date: **2019-06-05**  
 Generated by: **Systemair Online Catalogue**

## Description

Duct sensor  
 For measuring air temperature in ventilation ducts

Duct sensor TG-KH/PT1000  
 Temperature range -20...+120°C  
 Time constant 16 s  
 Insertion length 60...230 mm, adjustable  
 Protection class IP65



## Technical parameters

Classification	
Product category	Sensors & detectors
Product type	Temperature sensor
Mounting type	Immersion
Rating data	
Temperature range	-30-70 °C
Enclosure class	IP65
Time constant	16 sec
Dimension	
Insert length, minimum	60 mm
Insert length, maximum	205 mm
Probe diameter Ø	8 mm
Weight	0,1 kg

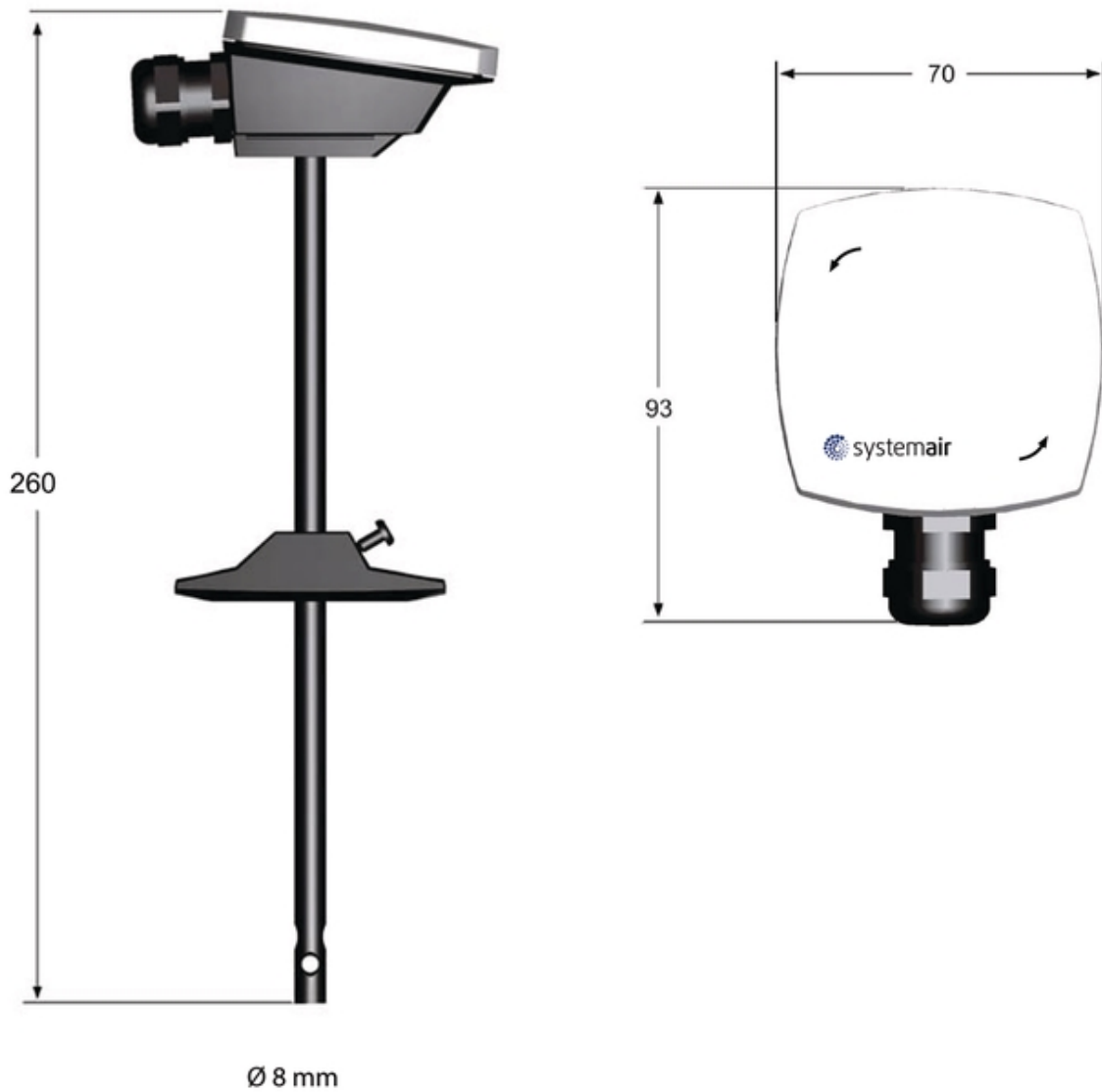
### Get In Touch

 Call: [0845 6880112](tel:08456880112)  
 Email: [info@adremit.co.uk](mailto:info@adremit.co.uk)

### Our Address


Puravent, Adremit Limited, Unit 5a, Commercial Yard,  
 Settle, North Yorkshire, BD24 9RH


## Dimensions




## Accessories

## Documentation

 Conformity decl. TG\_KH\_PT100X.pdf (22,29kB)

 TG-KH\_PT100(0)\_GB.pdf (209,79kB)

 resistance\_table\_PT1000\_sensors\_gb.pdf (10,73kB)

## Get In Touch



Call: [0845 6880112](tel:08456880112)



Email: [info@adremit.co.uk](mailto:info@adremit.co.uk)

## Our Address

Puravent, Adremit Limited, Unit 5a, Commercial Yard,  
Settle, North Yorkshire, BD24 9RH