



TLP 200/5,0 AIR HANDL.UNITS

Item no. 1876

Version: 50 Hz

Document type: **Product card**
 Document date: **2019-06-04**
 Generated by: **Systemair Online Catalogue**

Description

- Low noise level
- Adjustable voltage control
- Supply-air unit with heater
- Easily removable inspection cover
- G4 filter

A compact unit consisting of a fan, heater and filter in a galvanised sheet steel casing insulated inside with 50 mm of mineral wool. Rubber-sealed sleeve couplings. Neoprene sealing strips and toggle locks. Note that the fan must always be connected to 230 V. Fan run-on is not normally required. (Lowest air velocity 1.5 m/s). Max. output air temperature: 40 °C. The fan may be adjusted by either a transformer or a thyristor.



The heating element is most effectively controlled by a power regulator, pulser and duct sensor.

The filter should be checked regularly and replaced at least twice a year.

Technical parameters

| Unit | |
|-----------------------------------------|-------------------|
| Voltage | 400 V |
| Frequency | 50 Hz |
| Phase | 2 ~ |
| Airflow range | 0,0472-0,144 m³/s |
| Enclosure class | IP44 |
| Weight | 40,5 kg |
| Heater | |
| Heating type | Electric |
| Input power, electrical heating battery | 5 kW |
| Current, electrical heating battery | 12,5 A |
| Supply fan | |
| Voltage | 230 V |
| Phase | 1 ~ |
| Current | 0,45 A |
| Input power (P1) | 103 W |
| R.p.m. | 2578 r.p.m. |
| Max. temperature of transported air | 70 °C |
| Insulation class | B |
| Supply filter | |
| Filter class | G4 |

Get In Touch

Call: [0845 6880112](tel:08456880112)
 Email: info@adremit.co.uk

Our Address

Puravent, Adremit Limited, Unit 5a, Commercial Yard,
 Settle, North Yorkshire, BD24 9RH



Sound data

Sound pressure level at 3 m

46,2 dB(A)

ErP

Energy class, basic unit

E

Energy class, basic unit option

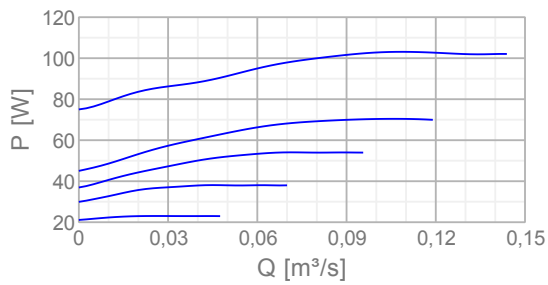
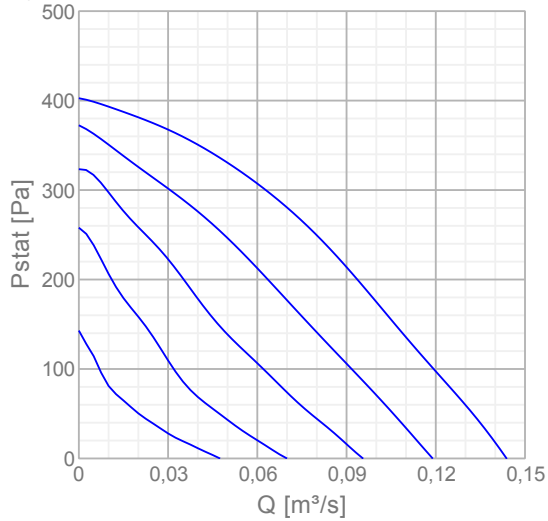
C

ErP ready

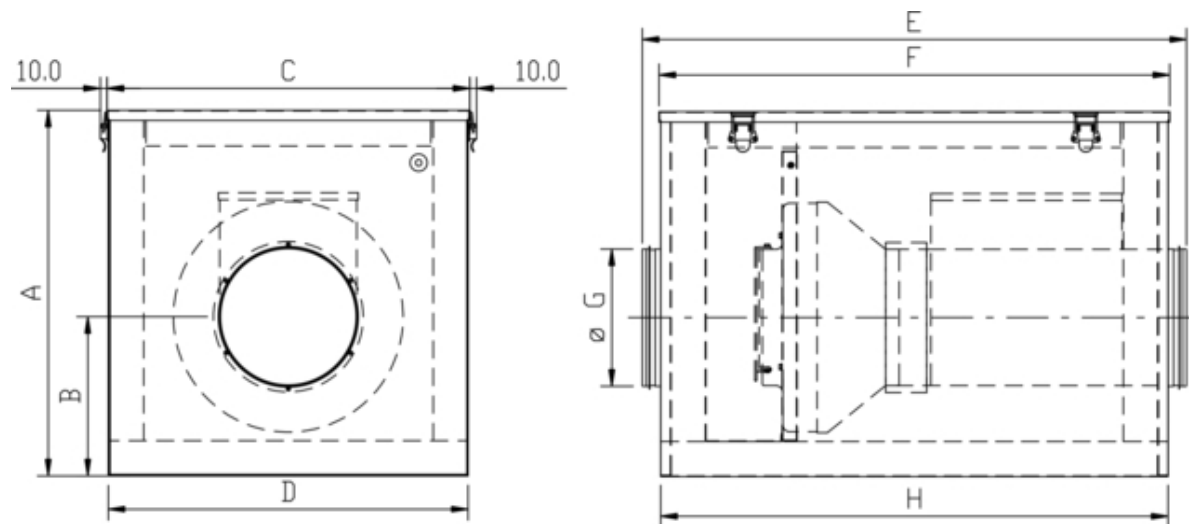
ErP 2018

Diagrams

Diagrams



Dimensions



Name: **TLP 200/5,0 AIR HANDL.UNITS** | Item no.: **1876** | Version: **50 Hz**

Document type: **Product card** | Document date: **2019-06-04** | Generated by: **Online catalogue**

2 / 3

Get In Touch

Call: [0845 6880112](tel:08456880112)
Email: info@adremit.co.uk

Our Address

Puravent, Adremit Limited, Unit 5a, Commercial Yard,
Settle, North Yorkshire, BD24 9RH

| | A | B | C | D | E | F | øG | H |
|-----------------|-----|-----|-----|-----|-----|-----|-----|-----|
| TLP 125/1,2 | 436 | 211 | 459 | 465 | 786 | 745 | 125 | 740 |
| TLP 160/2,1 | 436 | 211 | 459 | 465 | 786 | 745 | 160 | 740 |
| TLP 200/3,0-5,0 | 531 | 231 | 529 | 525 | 794 | 745 | 200 | 740 |
| TLP 315/6,0 | 581 | 256 | 529 | 525 | 798 | 745 | 315 | 740 |

Accessories

Electric accessories

[RE 1.5 Speed control \(5000\)](#)

[REU 1.5 Speed control \(5004\)](#)

[REE 1 Speed control \(5314\)](#)

[Pulser M Temperature control \(5144\)](#)

[TG-K330 Duct Sensor 0-30°C \(5160\)](#)

[TG-R530 Room sensor 0-30°C \(5163\)](#)

[DTV200 \(6261\)](#)

Accessories

[LDC 200-600 Silencer \(5194\)](#)

[LDC 200-900 Silencer \(5195\)](#)

[FK 200 Fast clamp \(1611\)](#)

[RSK-200 Back draft damper \(5602\)](#)

[SG 200 Protection guard \(5609\)](#)

[LDRC 200-1000 Silencer \(7275\)](#)

[LDRC 200-500 Silencer \(7274\)](#)

Documentation



TLP Operation and maintenance Instructions 205913 CE (A004).pdf (1,23MB)



TLP WD (A001).pdf (237,58kB)

Specification text

Name: **TLP 200/5,0 AIR HANDL.UNITS** | Item no.: **1876** | Version: **50 Hz**

Document type: **Product card** | Document date: **2019-06-04** | Generated by: **Online catalogue**

3 / 3

Get In Touch



Call: [0845 6880112](tel:08456880112)



Email: info@adremit.co.uk

Our Address

Puravent, Adremit Limited, Unit 5a, Commercial Yard,
Settle, North Yorkshire, BD24 9RH