

Safety Considerations

Read all instructions before attempting to operate this machine and save these instructions.

Warning! When using electric machines, basic safety precautions should always be followed to reduce the risk of fire, electric shock and personal injury, including the following:

1. Work area environment

Don't expose the machine for rain. Don't use it in damp or wet locations or in presence of flammable liquids or gases.

2. Overload

Never let the machine operate fully throttled. Always follow the regulations pertinent to the material you are working with. Don't use the machine for purposes that it isn't intended for.

3. Don't abuse cord

Never pull the machine by the cord. Keep the cord from heat and sharp edges. Check the electric cable regularly for damage.

4. Important measure

With cleaning and maintenance on the machine, the power cable should be disconnected from the supply. Only use the machine complete.

5. Maintain the machine with care

Keep the machine clean and check that the hose (extra accessories) is undamaged and that all gaskets are tight. Follow instructions. Keep handles dry and free from oil and grease. Make sure the micro-filter is fitted properly.

6. Checking for damage

Before further use of the machine it should be carefully checked that the machine is undamaged. If there are any damaged parts these should be repaired by a Dustcontrol authorized service center.

7. Warning

Use only accessories and replacable parts which are available in the Dustcontrol catalogue. When using faulty parts or pirate parts (especially filter) the machine could leak out unhealthy dust which can cause personal injuries.

TECHNICAL DATA

HxWxL	970 x 500 x 340 mm
Weight	25 kg
Outlet	Ø 315 mm
Hose length (extra accessories)	3 m (Ø 315)
Flow, at open outlet	1850 m ³ /h 50 Hz, 1650 m ³ /h 60 Hz
Negative pressure	max 500 Pa
Power consumption	230 V, 505 W, 115 V, 350 W
Degree of separation, EN 60335-2-69, class H	99.995 %
EN 1822-1	HEPA 13
Soundlevel	max 62 - 74 dB(A)

Description

The DC AirCube 2000 air cleaner is intended for cleaning the air in a work area and is intended for use as a compliment to spot extraction. Air is passed through a combination filter and a microfilter. The HEPA filter actually separates particles to 99.995%. The combination filter separates the majority of the particles and thereby prolonging the life of the microfilter.

When a loss of suction capacity is experienced the pre-filter should be changed. If the suction capacity does not increase after the pre-filter change then the Hepa filter should also be changed.

The fan has variable speed settings which allow for econo-

mical running, for example during the night.

The DC AirCube 2000 can also be used to discharge air from work places which must be kept under negative pressure. A 250 mm hose can be attached to the fan outlet where necessary.

Without accessories the machine is made for using in an upright position to minimise dust whirling from the outlet.

Operation

Connect the machine to a suitable power source according to the specification of the machine. When using an extension cable with the machine, ensure that the connection is water tight and the extension cable is suitably rated.

The DC AirCube 2000 aircleaner has two speed settings which allows for economical running, for example during the night.

Service

While performing cleaning or maintenance on the machine, the unit should be off and disconnected from the power supply.

When the suction is reduced, due to the filters becoming clogged, the red light will come on. The pre-filter should be changed. If the light is still on the the HEPA filter should be changed too.

With heavy dust loads the life of the filters are shorter. Use only original spare part filter 4080. Use suitable breathing protection and do the operation in a closed room. The used filter should be sealed in a plastic bag and disposed of according to approved methods. Check regularly that the electrical cable is not damaged in any way. With replacement of the cable and contact, use only water proof replacements.

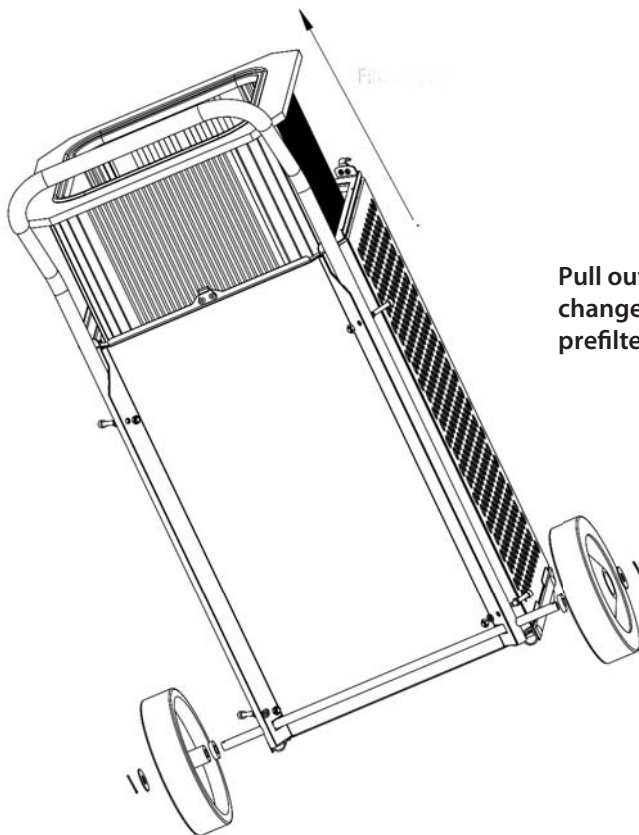
The DC AirCube 2000 should be performance tested and checked at least once per year or more frequently if

subject to intensive use.

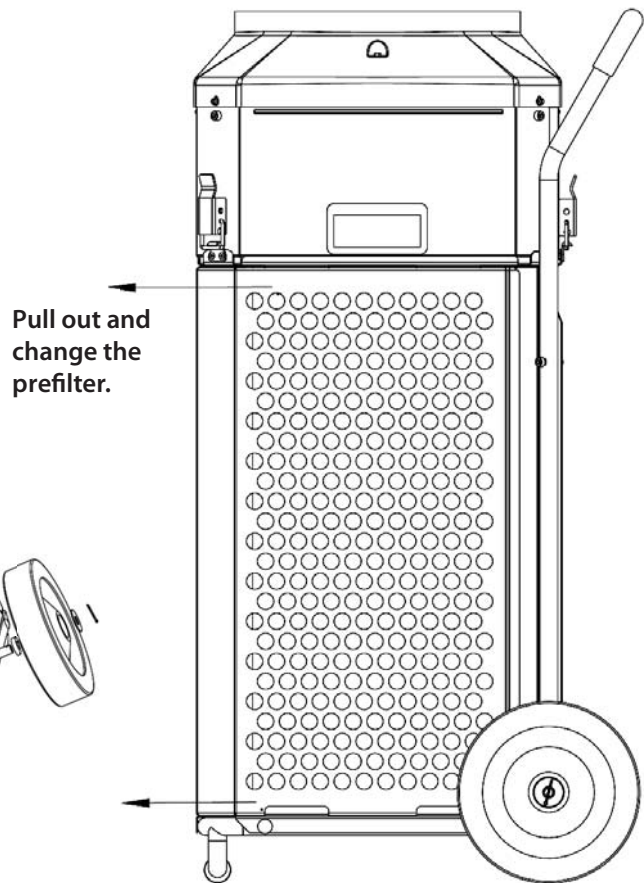
Because this machine is used with dangerous sub-stances maintenance is vital, worn parts should be replaced. Never compromise the function of the DC AirCube 2000, use only original spare parts.

The fan is maintenance free.

Change the filter:



Change the prefilter:



Accessories

Description	Part No
Prefilter	42619
Microfilter	42618
Hose/socket/clip 315 mm	42657
Socket/bend 90° 315 mm	42660

Other accessories — see Dustcontrol catalogue.



42657



42660



Assembly example

Warranty

The warranty period for this machine is two years and covers manufacturers faults. The warranty is valid under the condition that the machine is used under normal conditions on the task for which it was designed and is maintained properly. Normal wear is not covered by this warranty.

Service performed by other than Dustcontrol or its authorized agent voids automatically the warranty. No other warranty express or implied is applicable.

TROUBLE SHOOTING

Problem	Fault	Solution
Machine blows dust.	Damaged filter or gasket.	Change filter.
Machine runs only on max speed.	Turning power meter is faulty.	Order parts and replace.
Reduction in airflow at exhaust.	Filled filter.	Change filter.
Fan does not start.	No power.	Check power source and connection.

ENGLISH