



Diameter: 1.4 meter



Industrial ceiling fan ICF

Equalizes the temperature in buildings with high ceilings

Application

Ceiling fans are used primarily to equalize the temperature in rooms with high ceilings, such as industrial and warehouse buildings, gymnasiums, and shops. Several controls as well as downrods and blades of different sizes are available, making it possible to adapt ceiling fan ICF to almost all applications.

Comfort

Warm air is lighter than cold air and therefore rises towards the ceiling. In buildings with high ceilings, a cushion of warm air builds under the ceiling. Ceiling fan ICF pushes down the heated air at a low speed. In this way, the heat is better utilised in the occupied zone without draughts. Ceiling fan ICF can rotate in both ways, an advantage when installed at a low height.

Operation and economy

Ceiling fan ICF pushes the warm air from the ceiling and thus lowers the temperature there, the heat losses through the roof and walls are reduced and in many cases, heating costs can be reduced by up to 30%.

Ceiling fan ICF is a high quality, maintenance free product with long lifetime, which results in a very short pay-off time, that is often less than one year.

Design

Industrial ceiling fan ICF has a functional design and white colour which blends well in most premises. The low sound level makes it even more discreet.

Product specifications

- The blades push down large volumes of air without causing excessive air speed.
- Can operate clockwise and anti-clockwise.
- Canopy with vibration absorption.
- The enclosed motor is equipped with permanently lubricated ball bearings for long life.
- Other fan blade diameters are available as an accessory (914, 1218 mm).
- Other downrods are available as an accessory (gives a total height of 395, 945 mm).
- High protection class, IPX5 (ICF55).
- Fan blades and downrod coated with zinc.
- Colour: NCS S 0505-R90B



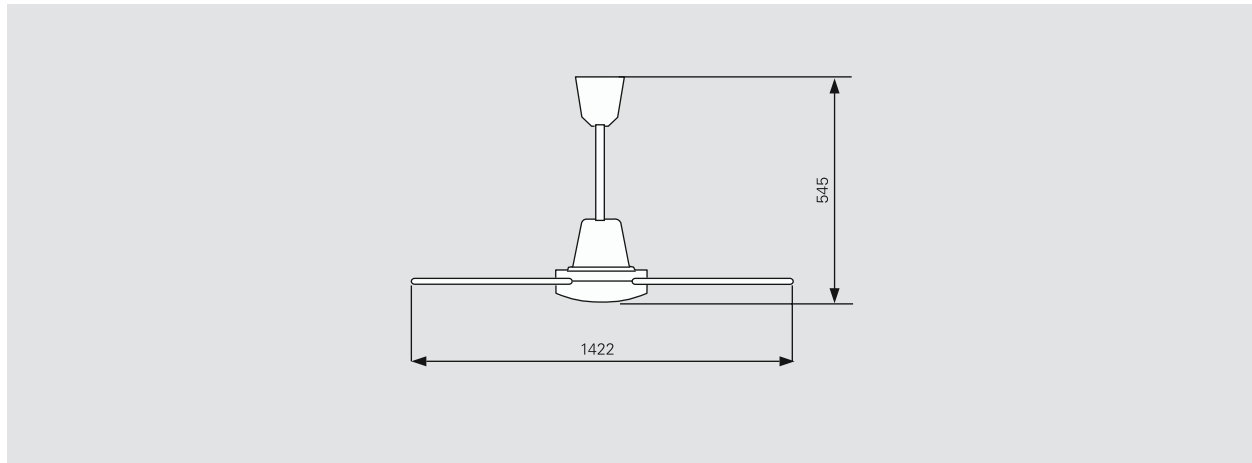
Reduces heat losses with up to 30 %.

Technical specifications | Ceiling fan ICF ⚡

Type	Output [W]	Airflow [m³/h]	Voltage [V]	Amperage [A]	Height x Ø [mm]	Weight [kg]
ICF20	70	13500	230V~	0.33	545x1422	6.2
ICF55	70	13500	230V~	0.33	545x1422	6.2

Protection class ICF20: (IPX0), normal design.
 Protection class ICF55: (IPX5), splash-proof design.
 Approved by IMQ and CE compliant.

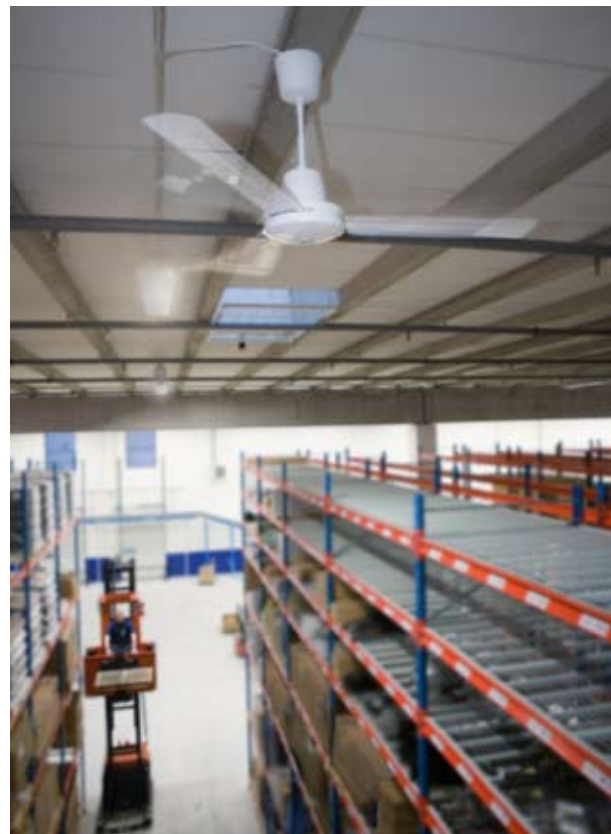
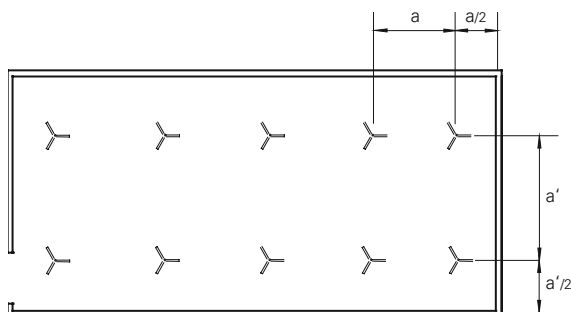
Dimensions



Mounting and connection

The fans are positioned systematically in the room at equal distances between themselves as detailed in the table below. This is to give the best temperature distribution. To adapt the fan to suit each specific room it should be controlled with a fan speed regulator.

Recommended distance between fans					
Ceiling height [m]	4	6	8	10	12
Distance a [m]	5	7	8	9	10



Industrial ceiling fan ICF

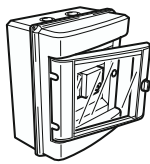
Control options

The fan speed on ceiling fans should be controlled to obtain optimal heat equalization and prevent draughts.

The fan can be reversed for summer operation. CAR15 and CFR1R have this function, with other control options a change-over switch is needed. This switch is connected in a series after the control and a 4x1.5 mm² cable must be used.

- CAR15, automatic fan speed control, for maximum 15 fans, reversible
- CFR1R, 5-step control for 1 fan, reversible
- RE5, 5-step control for a maximum of 12 fans
- PE1, variable fan speed control for a maximum of 2 fans
- PE2,5, variable fan speed control for a maximum of 6 fans

Accessories



CAR15



CFR1R



RE5



PE1/PE2,5

CAR15, automatic fan speed control

Automatic fan speed control, through external sensor, in accordance with variations in the temperature between the ceiling and the floor. Built-in switch for reversed rotation. Controls a maximum of 15 fans. IP33.

CFR1R, 5-step control

5-step control. Built-in switch for reversed rotation. Controls a maximum of 1 fan. IPX0.

RE5, 5-step control

5-step control. Controls a maximum of 12 fans. IP54.

PE1/PE2,5, variable fan speed control

Single-phase manual thyristor for variable speed adjustment of the fan and on/off regulation. External mounting (IP54) or recessed mounting (IP44). PE1 controls a maximum of 2 fans. PE2,5 controls a maximum of 6 fans.

CFAP200, short downrod

Gives the fan a total height of 395 mm.

CFAP750, long downrod

Gives the fan a total height of 945 mm.

CFB900, fan blades

Gives the fan a diameter of 914 mm. Complete set of 3 fan blades.

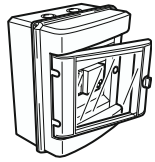
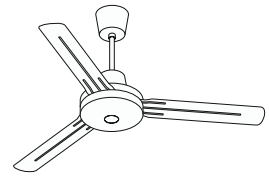
CFB1200, fan blades

Gives the fan a diameter of 1218 mm. Complete set of 3 fan blades.

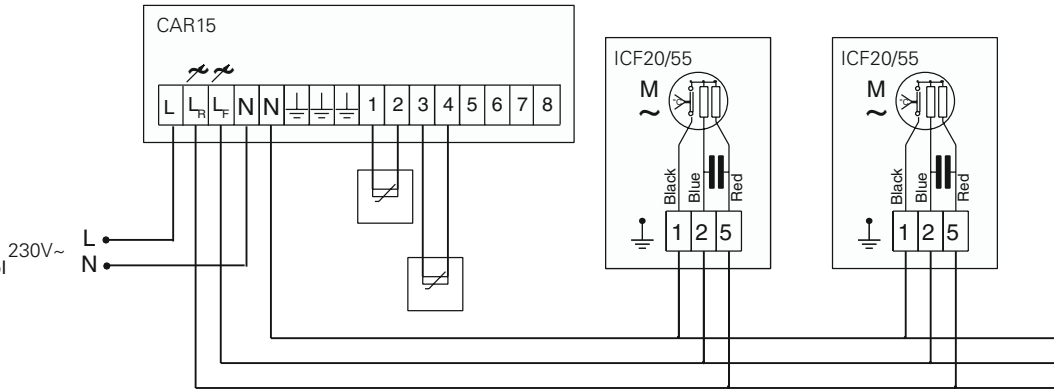
Type	Description	HxWxD [mm]
CAR15	Automatic fan speed control	210x210x100
CFR1R	5-step control for 1 fan	120x120x60
PE1	Variable fan speed control for 2 fans, external mounting (IP54) or recessed mounting (IP44)	82x82x65
PE2,5	Variable fan speed control for 6 fans, external mounting (IP54) or recessed mounting (IP44)	82x82x65
CAR15	Automatic fan speed control	210x210x100
RE5	5-step control for 12 fans	200x105x105
CFAP200	Short downrod, total height 395 mm	
CFAP750	Long downrod, total height 945 mm	
CFB900	Fan blades, fan diameter 914 mm	
CFB1200	Fan blades, fan diameter 1218 mm	

Wiring diagrams

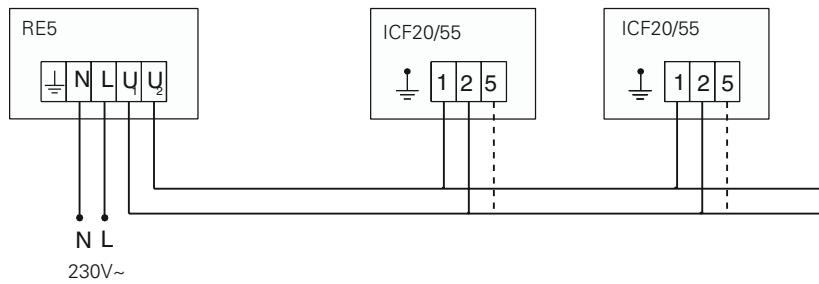
Wiring for fan speed control



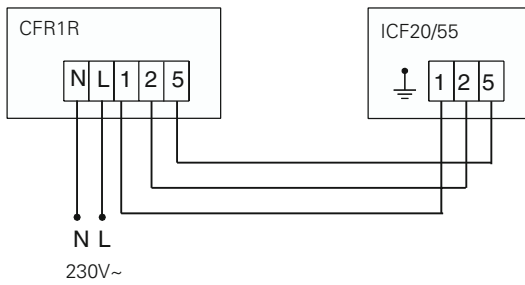
CAR15,
automatic
fan speed control



RE5,
5-step control



CFR1R,
5-step control



PE,
variable fan speed
control

