



⚡ 200–450 W Electrical heat

4 models

CE

## Mini radiator/Frost guard

### Compact mini radiator for frost protection and heating

#### Application

The mini radiator/frost guard gives off a lot of heat despite the small size. The compact radiators are suitable for providing frost protection, but can also be used to heat many different areas, for example, homes, close to water pipes, small warehouses, greenhouses and electrical cabinets.

#### Comfort

Convectors and radiators from Frico efficiently produce pleasant heat. Heat distribution in the room is good at the same time as the warm air flow directed upwards can be used to counteract cold draughts from the windows.

#### Operation and economy

The possibility of choosing products with different outputs results in energy efficient heating irrespective of whether the whole building is to be heated or only frost protection is required. A long life and minimum maintenance also reduce costs.

#### Design

The mini radiator/frost guard is available in white or stainless steel designs and is very easy to position on account of its small size.

#### Product specifications

- Mounted horizontally (FML/FMLR) or vertically (FMS) on the wall.
- Stainless steel tubular element.
- Equipped with 1 metre long cord with plug for connection to an earthed outlet socket.
- Integrated overheating protection.
- Integrated thermostat with setting range +5 – +35 °C.
- Colour front: NCS 1103-Y06R (white). FMLR200 has a stainless steel design.



**Technical specifications** | Mini radiator FML. White front. ⚡

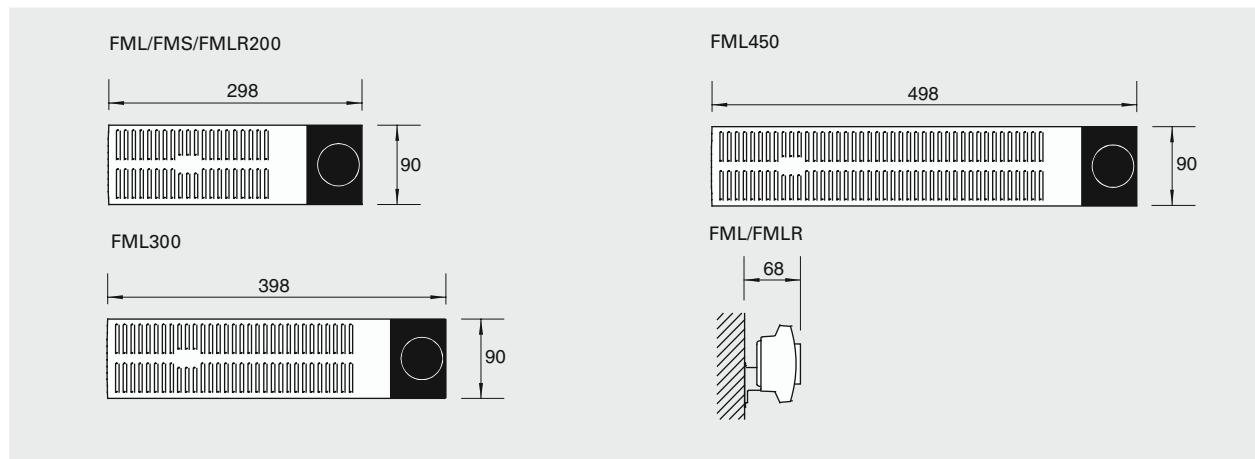
Type	Output [W]	Voltage [V]	LxHxD [mm]	Weight [kg]
FML200	200	230V~	298x90x68	0,7
FML300	300	230V~	398x90x68	0,9
FML450	450	230V~	498x90x68	1,1
FMS200	200	230V~	90x298x68	0,7

**Technical specifications** | Mini radiator FMLR. Stainless steel design. ⚡

Type	Output [W]	Voltage [V]	LxHxD [mm]	Weight [kg]
FMLR200	200	230V~	298x90x68	0,7

Protection class: IP31.  
CE compliant.

**Dimensions**



**Mounting and connection**

**Mounting**

Frost guard FML/FMLR is wall mounted in a horizontal position with the knob on the right hand side. FMS is mounted in a vertical position. For minimum distance for fixed installation, see Fig. 1.

**Connection**

All models are equipped with 1 metre cable and plug for connection to an earthed wall socket.

**Controls**

FML/FMLR/FMS has a built-in thermostat with setting range +5 °C up to +35 °C.

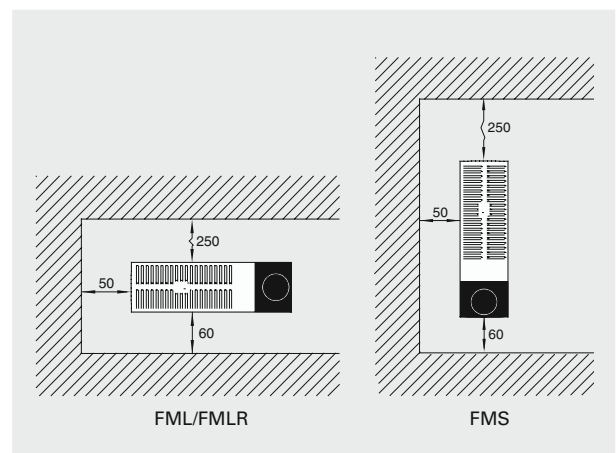


Fig. 1: Minimum distance for fixed installation.