

# AW 355 D4-2-EX AXIAL FAN ATEX

Item no. 5969

Document type: **Product card**  
 Document date: **2018-06-27**  
 Generated by: **Systemair Online Catalogue**

## Description

- Certified according to ATEX
- Speed-controllable
- Integral thermal contact
- Explosion proof

The AW - EX fans have speed controllable external rotor motors. The fans have a square plate for wall mounting and are painted in standard black. The casing and impeller is manufactured from sheet steel. To protect the motor from overheating, integral thermistors are fitted with external leads which must be connected to the U-EK230E motor protection relay.

The AW-Ex fan motor is approved according to ATEX. Useful for Zone 1 and 2; temperature class T1, T2, or T3. Ignition protection "e". Accessories for Ex-fans only on request.



## Technical parameters

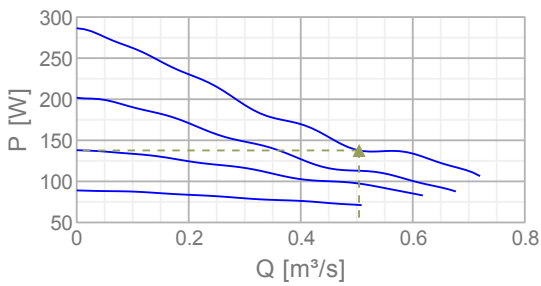
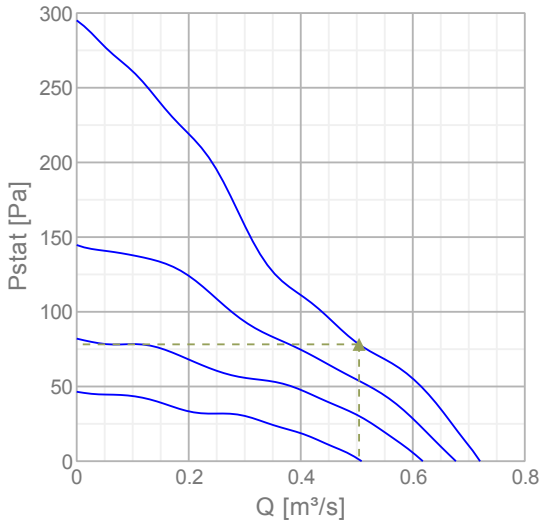
Nominal data	
Voltage	400 V
Frequency	50 Hz
Phase	3 ~
Input power (P1)	286 W
Current	0,493 A
Max. airflow	0,72 m³/s
R.p.m.	1341 r.p.m.
Weight	9 kg
Temperature data	
Temperature range, ambient and duct	-20-40 °C
Sound data	
Sound pressure level at 3 m	61,7 dB(A)
Protection / Classification	
Insulation class	F
Enclosure class, motor	IP44
Certificate	ZELM 05ATEX0279X
Explosion proof	II 2G c Ex e IIB T4

**Default group**

Max. temperature of transported air	40 °C
Max. temperature of transported air when speed-controlled	40 °C

**Diagrams**

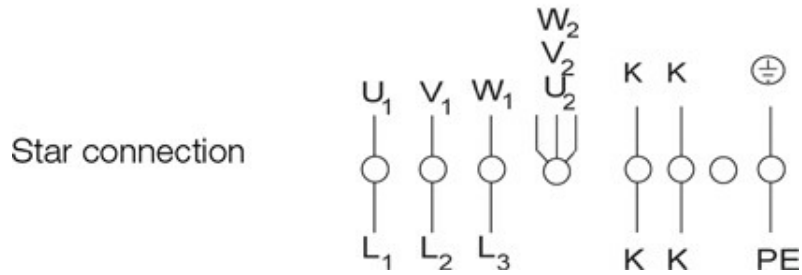
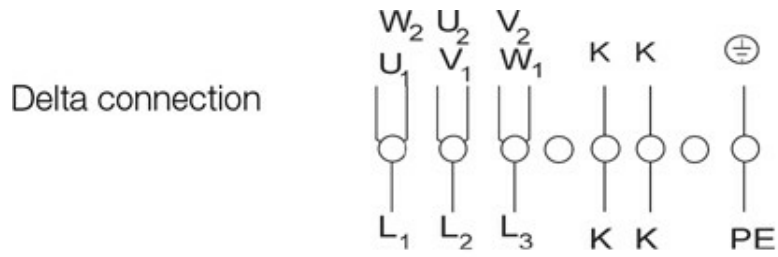
**Diagrams**



**Max efficiency**

Hydraulic data										
▲ Working air flow	0,504 m³/s									
▲ Working static pressure	78,2 Pa									
▲ Power	138 W									
Speed	1437 r.p.m.									
Current	0,314 A									
SFP	0,273 W/(l/s)									
Voltage	400 V									
Sound power level	63	125	250	500	1k	2k	4k	8k	Tot	
Inlet	dB(A)									
	38	52	64	60	64	62	56	49	69	

## Wiring

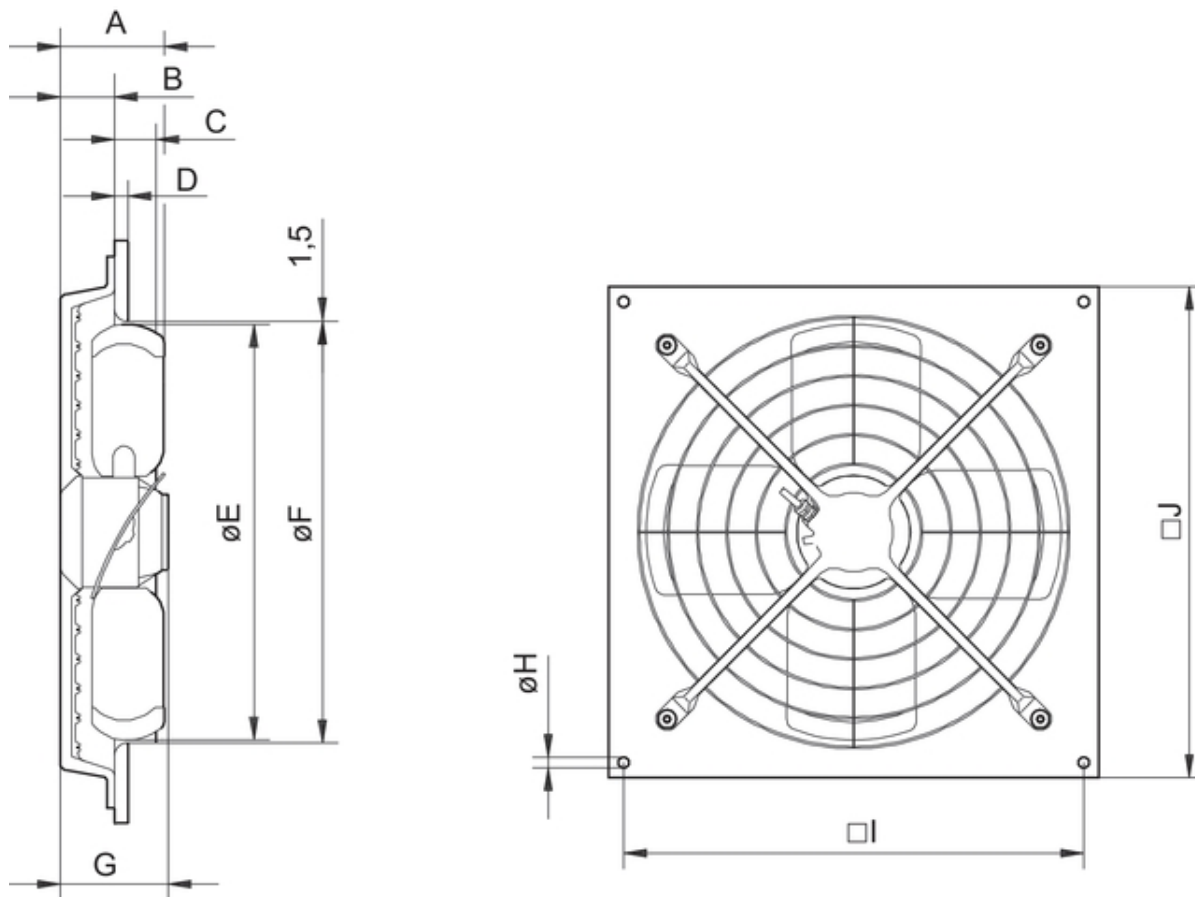


3~ motor, 2 speeds (D/Y switch over) with temperature sensor.  
Without bridge when using speed change over switch.

U1 brown  
V1 blue  
W1 black  
U2 red  
V2 grey  
W2 orange  
K white  
PE green/yellow

Test-voltage on temperature sensor max. 2,5V.

## Dimensions



	A	B	C	D	E	F	G	H	I	J
AW 355 EX	138	48	70	16	350.5	356	125	4x12	385	423

## Accessories

### Electric accessories

[RTRD 2 Speed Cont. Systemair \(5941\)](#)

[RTRDU 2 Speed contr. Systemair \(5945\)](#)

[U-EK230E EX Motorprotec. \(30199\)](#)

[REV-5POL/07 ON/OFF \(33980\)](#)

[REV-9POL/12 ON/OFF \(33981\)](#)

[REV-3POL ATEX 11kW-25A ON/OFF \(36414\)](#)

## Documentation

[PDF imo\\_ATEX\\_170621\\_de,en,se,ru,pl\\_004\\_312435.pdf \(6,05MB\)](#)

[PDF Zelm\\_05\\_ATEX0279.pdf \(314,28kB\)](#)

[PDF 1.Supp\\_Zelm 05 ATEX 0279X\\_en.pdf \(250,36kB\)](#)

[PDF EC Declaration of Conformity\\_EX\\_AXC.pdf \(13,64kB\)](#)

[PDF ec-dec\\_atex\\_170207\\_de,en,se,ru,pl\\_005\\_314830\\_web.pdf \(1,19MB\)](#)

## Specification text

The box is made out of electroplated steel plate, powder- coated. Including protection guard. The installation is possible in each fitting position. The fan has an axial impeller with airfoils made out of electroplated, powder- coated steel plate. The actuation is carried out by an explosion- proofed, speed- controllable external rotor motor with completed barretter. A D/Y- capability of connection allows an double- rotation operation of the motor. For annealing the motor is situated inside the air flow. Impeller according to VDI 2060, quality class Q 6,3 and dynamically weigh heavy in two levels. Tested according to ATEX- Guideline 94-9-EG. For the extraction of potentially explosive atmosphere of zone 1, category 2G and zone 2, category 3G. The fans are in zone 1, 2 and for the temperature levels T1, T2 and T3 applicable. The explosion group is "e" elevated safety Eexe II, T3. Appurtenances for the Ex- fan is available on enquiry.