

AW 650 D6-2-EX AXIAL FAN ATEX

Item no. 5972

Document type: **Product card**
 Document date: **2018-07-19**
 Generated by: **Systemair Online Catalogue**

Description

- Certified according to ATEX
- Speed-controllable
- Integral thermal contact
- Explosion proof

The AW - EX fans have speed controllable external rotor motors. The fans have a square plate for wall mounting and are painted in standard black. The casing and impeller is manufactured from sheet steel. To protect the motor from overheating, integral thermistors are fitted with external leads which must be connected to the U-EK230E motor protection relay.

The AW-Ex fan motor is approved according to ATEX. Useful for Zone 1 and 2, groups IIA, IIB and temperature class T1, T2, or T3 (AW 355 and AW 420 also T4). Ignition protection "e".

Accessories for Ex-fans only on request.



Technical parameters

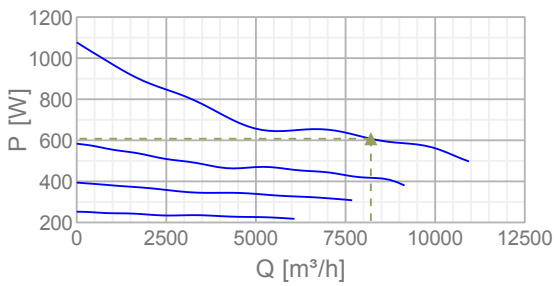
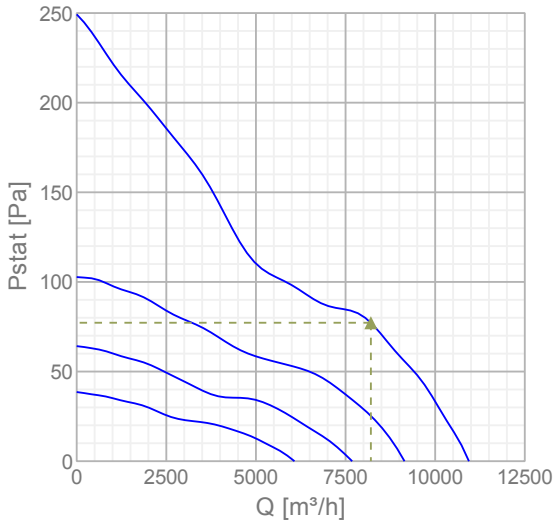
Nominal data	
Voltage	400 V
Frequency	50 Hz
Phase	3 ~
Input power (P1)	1077 W
Current	1,78 A
Max. airflow	10940 m ³ /h
Fan impeller speed	790 r.p.m.
Weight	18,9 kg
Temperature data	
Temperature range, ambient and duct	-20-40 °C
Sound data	
Sound pressure level at 3 m (20m ² Sabin)	71,7 dB(A)
Protection / Classification	
Insulation class	F
Enclosure class, motor	IP44
Certificate	ZELM 05ATEX0279X
Explosion proof	II 2G c Ex e IIB T3

Default group

Max. temperature of transported air	40 °C
Max. temperature of transported air when voltage-controlled	40 °C

Performance

Diagrams

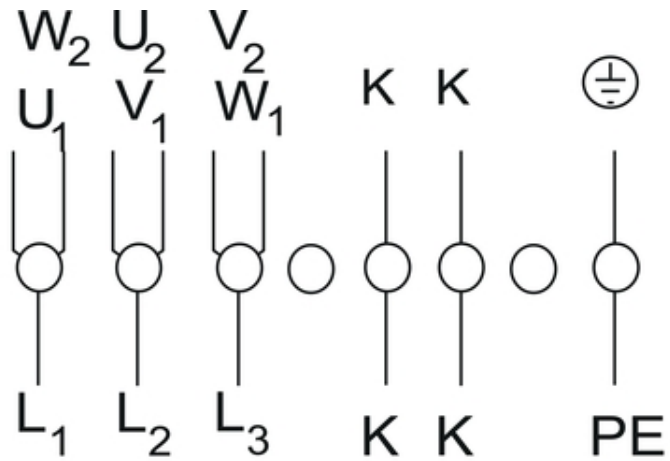


Max efficiency

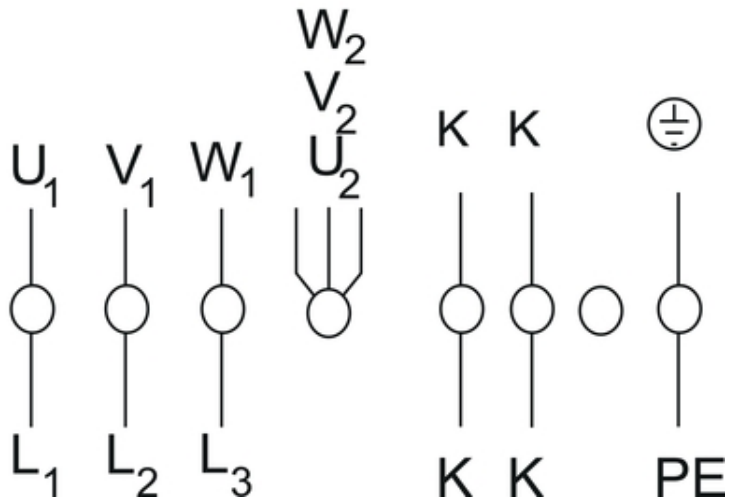
Hydraulic data										
▲ Working air flow	8206 m³/h									
▲ Working static pressure	77,2 Pa									
▲ Power	608 W									
Speed	909 r.p.m.									
Current	1,19 A									
SFP	0,267 kW/(m³/s)									
Voltage	400 V									
Sound power level	63	125	250	500	1k	2k	4k	8k	Tot	
Inlet	dB(A)									
	46	58	67	70	71	70	63	55	76	

Wiring

Delta connection



Star connection

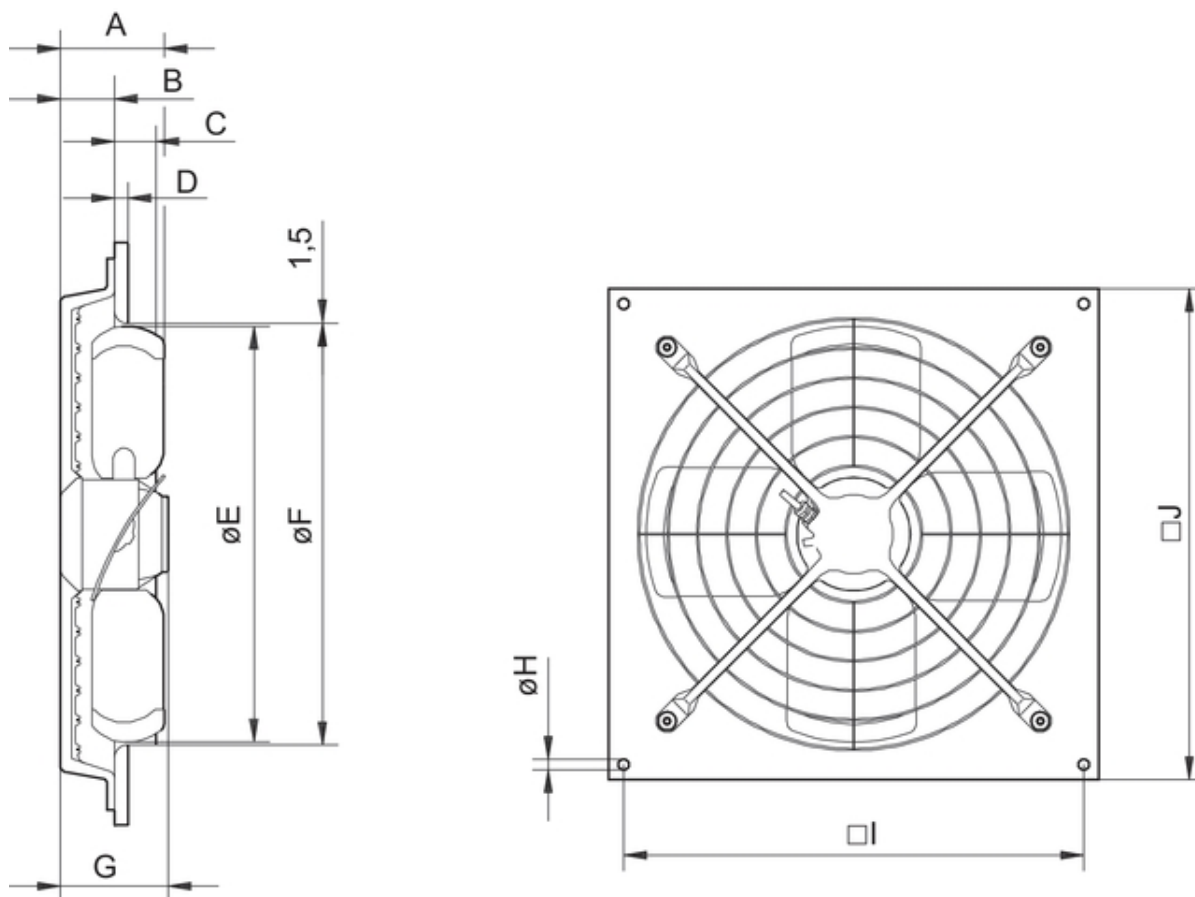


3~ motor, 2 speeds (D/Y switch over) with temperature sensor.
Without bridge when using speed change over switch.

U1 brown
V1 blue
W1 black
U2 red
V2 grey
W2 orange
K white
PE green/yellow

Test-voltage on temperature sensor max. 2,5V.

Dimensions



	A	B	C	D	$\varnothing E$	$\varnothing F$	G	$\varnothing H$	$\square I$	$\square J$
AW 650 EX	162	66	78	18	651	658	161	14.5	730	770

Accessories

Electric accessories

[RTRD 2 Speed Cont. Systemair \(5941\)](#)

[RTRDU 2 Speed contr. Systemair \(5945\)](#)

[Ex e-Terminal box 1,5/6mm² 32A \(2704\)](#)

[U-EK230E EX Motorprotec. \(30199\)](#)

[REV-5POL/07 ON/OFF \(33980\)](#)

[REV-9POL/12 ON/OFF \(33981\)](#)

[REV-3POL ATEX 11kW-25A ON/OFF \(36414\)](#)

Documentation

[imo_ATEX_170621_de,en,se,ru,pl_004_312435.pdf \(6,05MB\)](#)

[1.Supp_Zelm 05 ATEX 0279X_en.pdf \(250,36kB\)](#)

[Zelm_05_ATEX0279.pdf \(314,28kB\)](#)

[ec-dec_atex_170207_de,en,se,ru,pl_005_314830_web.pdf \(1,19MB\)](#)