

Architectural Electric Wall Heater



Turnbull & Scott™
Trusted.

Architectural Electric Wall Heater



PRODUCT DESCRIPTION

The Architectural Electric Wall Heater is a heavy duty fan heater for commercial spaces with heat outputs ranging from 2kW-5kW depending on the model selected.

With a rugged construction yet sleek design, it makes an ideal choice of heater for entrance lobbies, stairways and waiting rooms. Models with a higher heat output, up to 5kW, are a great solution for heating larger areas.

All models are designed for recess mounting within a wall. An addition surface mounting box can be purchased if surface mounting is required.

All models are designed for 230V single phase supply and feature an integral tamper-proof thermostat located behind the removable grille panel.

FEATURES

- Space saving recess mounting model as standard
- Surface mounting box available as option
- Quiet & efficient low speed axial fan
- High reliability heavy duty finned metal sheathed elements
- Totally enclosed permanently lubricated motor
- Over temperature safety cut-out
- Tamper-proof integral thermostat
- Heavy duty welded steel louvered grille with aluminium frame
- Dark brown powder coated finish with anodised natural aluminium frame

Architectural Electric Wall Heater

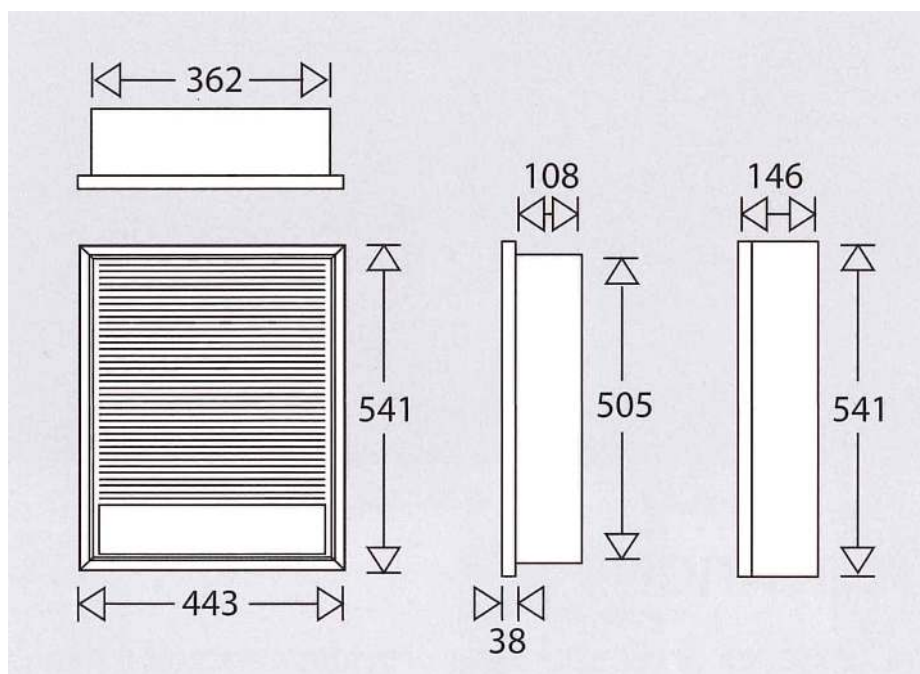
TECHNICAL SPECIFICATON

Product Code	kW	Volts	Air Vol m ³ /hr	Length mm	Width mm	Depth mm	Weight kg
CHDA-2000	2	230	340	541	443	146	12
CHDA-3000	3	230	340	541	443	146	12
CHDA-4000	4	230	340	541	443	146	12
CHDA-5000	5	230	340	541	443	146	12

INSTALLATION

The units must be vertically mounted, not less than 300mm from any vertical surface or the floor. Each unit is supplied for recess mounting, surface mounting requires the optional surface box (CHDA-S). The unit should be securely fixed.

All electrical connections should be made by a suitably qualified person in accordance with the latest edition of the IEE Requirements for Electrical Installation (BS 7671:2008).





Burnfoot Industrial Estate
Roxburghshire,
Scotland, TD9 8SL

www.turnbull-scott.co.uk

01450 372 053