

EX 180A-4C CENTR. FAN (ATEX)

Item no. 135278

Version: 50 Hz; 230V 1~

Document type: **Product card**

Document date: **2019-08-01**

Generated by: **Systemair Online Catalogue**

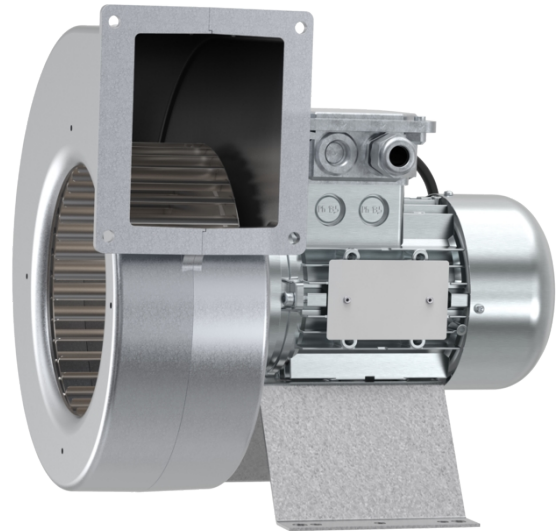
Description

Explosive atmospheres ATEX fans

- Suitable for use in battery-charging rooms, fume cupboards and similar environments
- Compact design
- Speed controllable with transformer
- Mounting bracket as standard
- Ex certification classification Ex db eb IIC T4 Gb

EX fans can be installed in any position, and their compact design makes them easy to install.

These fans are powered by specially manufactured EX motors and have impellers with forward-curved blades. The fan casing is cast in silumin and the impeller is manufactured from aluminium.

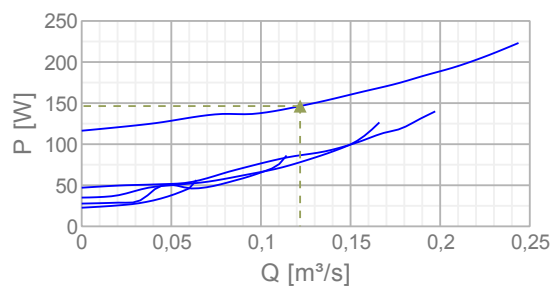
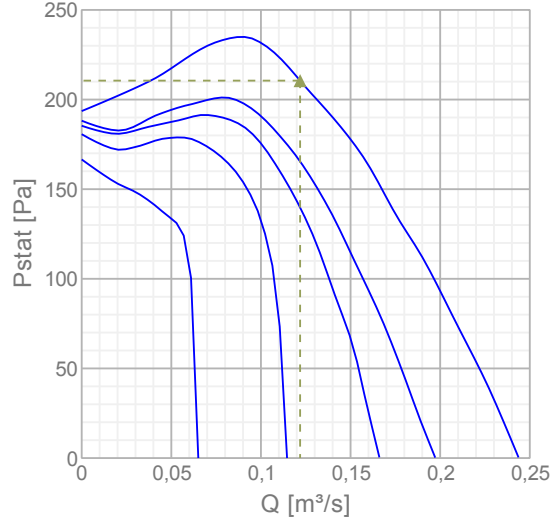


Technical parameters

Nominal data		
Frequency	50	Hz
Voltage	230	V
Phase	1	~
Input power (P1)	223	W
Current	1,15	A
Max. airflow	0,244	m ³ /s
R.p.m.	1397	r.p.m.
Capacitor	12	µF
Weight	6,1	kg
Temperature data		
Temperature range, ambient and duct	-20-60	°C
Sound data		
Sound pressure level at 3 m	49,1	dB(A)
Protection / Classification		
Insulation class	F	
Enclosure class, motor	IP65	
Certificate	Presafe 16ATEX8598X	
Explosion proof	Ex de IIC T4 Gb	

Diagrams

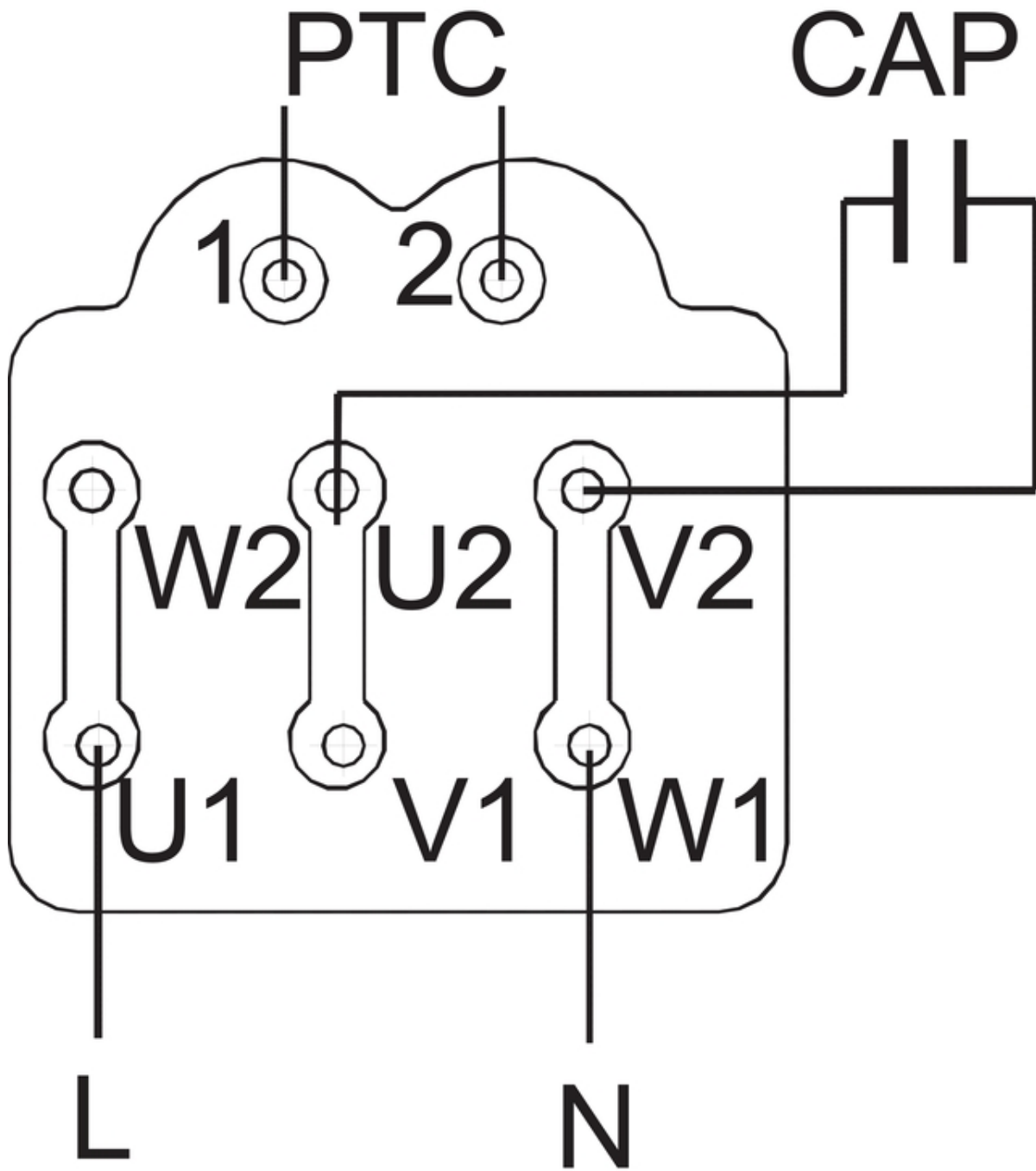
Diagrams



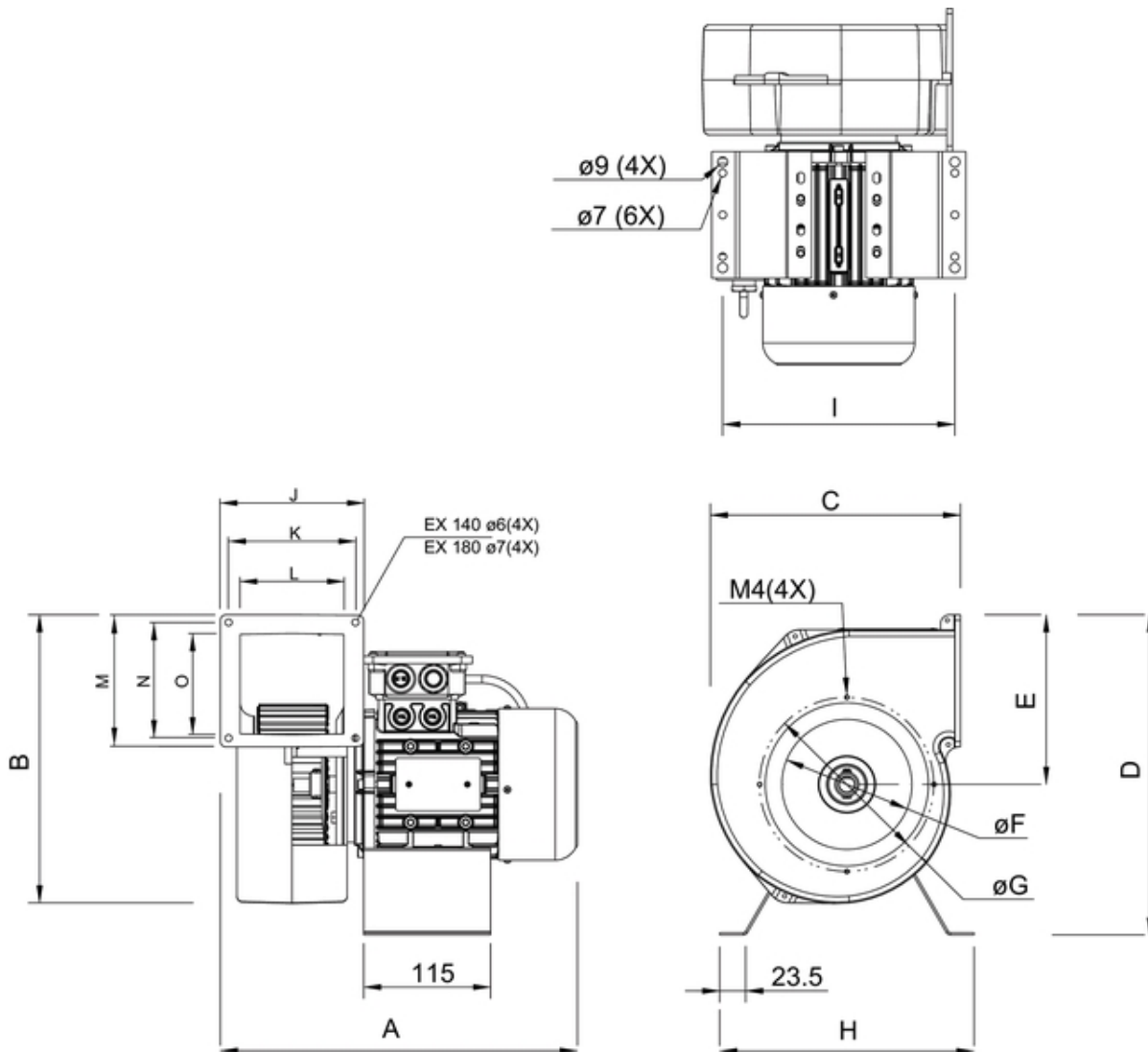
Max efficiency

Hydraulic data										
▲ Working air flow										0,122 m³/s
▲ Working static pressure										211 Pa
▲ Power										146 W
Speed										1457 r.p.m.
Current										0,95 A
SFP										1,2 W(l/s)
Voltage										230 V
Sound power level		63	125	250	500	1k	2k	4k	8k	Tot
Inlet	dB(A)	48	62	63	59	63	56	54	48	69
Outlet	dB(A)	51	63	63	66	64	57	54	49	71
Surrounding	dB(A)	17	40	36	46	52	51	47	39	56

Wiring



Dimensions



	A	B	C	D	E	$\varnothing F$	$\varnothing G$	H	I	J	K	L	M	N	O
EX 140A-4, EX 140A-4C	301	262	227	285	154	118	158	231	191,5	130	115	94	120	105	92
EX 180A-4, EX 180 A-4C	314	294	261	302	171	149	194	211	191,5	125	110	86	140	120	109
EX 140A-2, EX 140A-2C	324	262	227	291	154	118	158	211	210,5	130	115	94	120	105	92

Accessories


Electric accessories


- [RE 1.5 Speed control \(5000\)](#)
- [REU 1.5 Speed control \(5004\)](#)
- [Trigger unit U-EK230E \(30199\)](#)


Accessories

- [Connection. kit EX180A-160 \(135704\)](#)

Documentation

 [EX_IMO_135371_EN_A007.pdf \(4,25MB\)](#)

 [Presafe 16_ATEX_8598_X_Issue1.pdf \(304,60kB\)](#)

 [Presafe 16 ATEX 8871Q.PDF \(261,03kB\)](#)

Specification text

The scroll housing is made out of Silumin. The fan has a compact installation size for an easy assembling. Applicable in battery rooms and storage areas and similar uses. The fan has an impeller with forward- curved blades made out of aluminum. The motor is a maintenance free, certified Ex motor with an internal cooling fan. Thermal protectors (PTC) applied in the motor windings shall be connected to an appropriate protection device. The fan can be speed controlled by transformer based controls. Fan category is BV3 quality grade G6.3, designed for transport of air or explosive atmospheres in Zone 1 and Zone 2. Temperature levels T1, T2, T3 and T4 applicable. The complete fan is tested to fulfill the demands in the ATEX directive. The explosion group is equipment protection by flameproof enclosure "d" and by increased safety "e". EU Type Examination Certificate is "Presafe 16 ATEX 8598 X".