

## FRQS-E-10A

Item no. 37420

Document type: **Product card**  
 Document date: **2019-07-30**  
 Generated by: **Systemair Online Catalogue**

### Description

#### Speed controller with 0-10V input for 1~ fans equipped with all pole sine filter

The FRQS-E frequency inverters have integrated all pole sine filters as standard. Therefore there is no need for shielded cables for the installation. This makes the unit also perfectly suited to retrofit into existing systems. The sine filters enable existing non-shielded cables to be retained. This units also reliably control motors which, due to their design, are not usually considered suitable for frequency inverter operation i.e. external rotor motors.

- Save and trouble free motor operation with integrated, all pole effective sine filter
- Analog input for external speed setup value(0-10 V, 0-20 mA, PWM)
- 10V DC output for external potentiometer
- Potential-free operation notification
- Enable contact section for a stand-by switch or electronic reset
- Motor protection by connecting thermostats "TB" or thermistors "TP"
- Interference emission EN 61000-6-3
- Interference immunity EN 61000-6-2
- Complete range in IP54
- Trouble free parallel operation of motors
- No danger to the motors through voltage peaks, bearing current, etc.
- No limit of motor cable length
- Retrofit in installations with existent wiring(unshielded cables)
- Operation without electromagnetic motor noise
- Wide voltage range 1~ 208V-277V, 50/60Hz

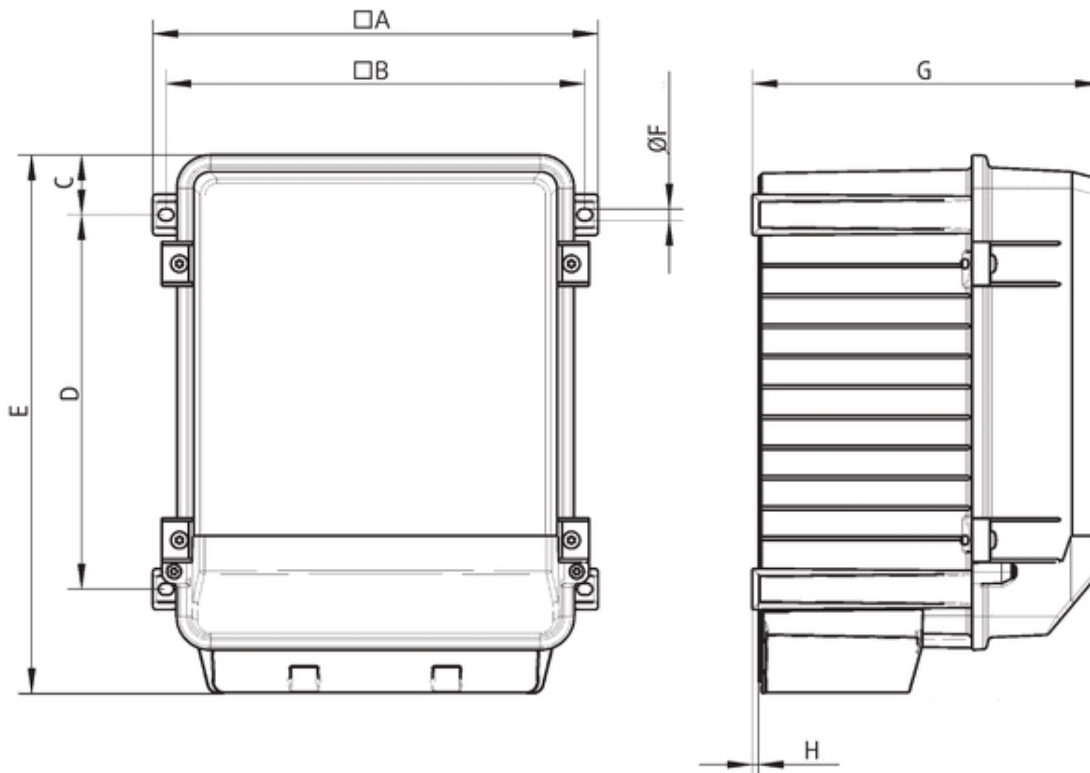


**When operating with Explosion proof fans the FRQ has to be placed outside the EX zone!**

### Technical parameters

Nominal data		
Voltage range	208-277	V
Phase	1	~
Frequency	50/60	Hz
Max. current	10	A
Recommended fuse	16	A
Permitted max. ambient temperature	55	°C
Permitted relative humidity, non condensating	0-85	%RH
Enclosure class	IP54	
Weight	6,8	kg

## Dimensions



	□A	□B	C	D	E	∅F	H	G
FRQS-E-10A	250	235	34	210	302	6,5	3,5	195,5


## Accessories


### Electric accessories

[EC-Selector \(9908\)](#)

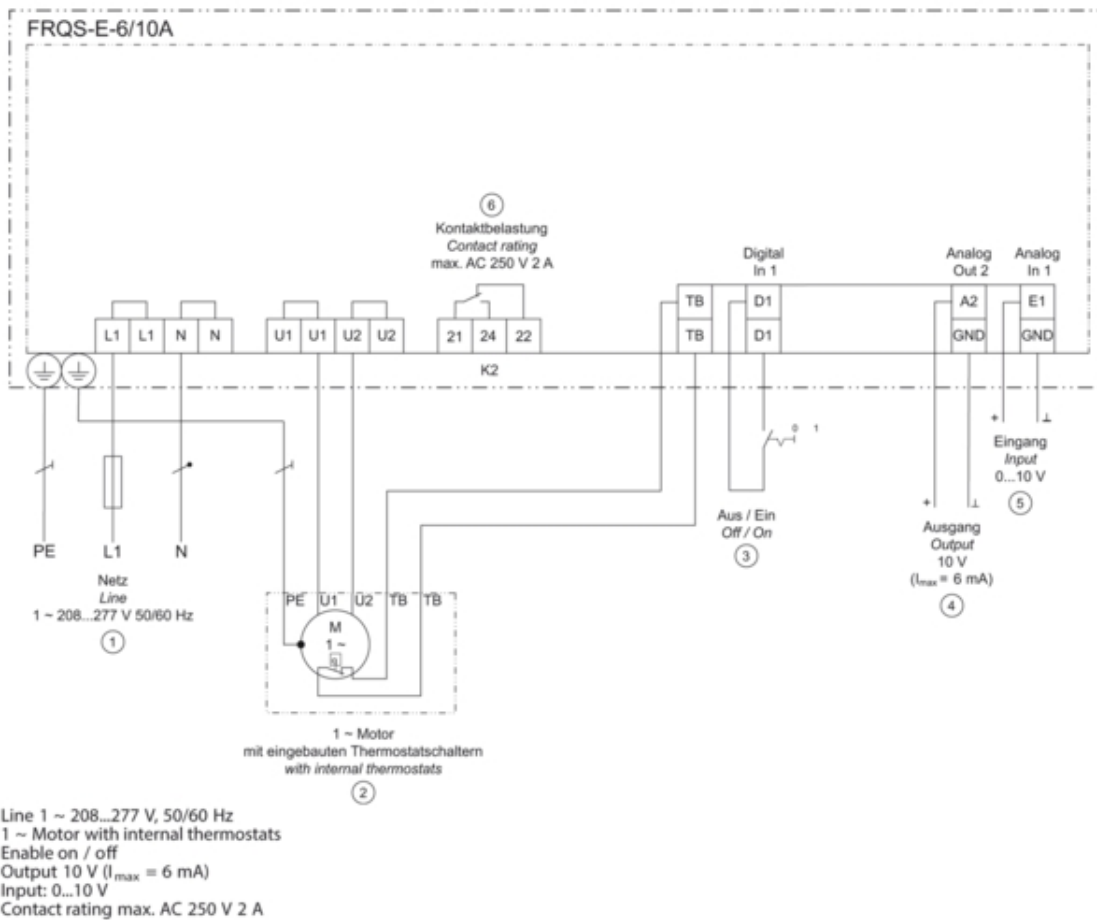
[S-5EC/FRQ \(76738\)](#)

## Documentation

 [L-BAL-E246-GB.pdf \(696,63kB\)](#)

 [EG-Declaration of conformity FRQ\\_DE-EN.pdf \(425,04kB\)](#)

## Wiring



## Specification text