

IV SMART AC

Item no. 38372

Version: 50 Hz

Document type: **Product card**
 Document date: **2019-07-18**
 Generated by: **Systemair Online Catalogue**

Description

- Integrated motor protection
- Casing is made from galvanised steel
- Suitable for temperature up to 55°C
- External terminal box for easy electronic connection

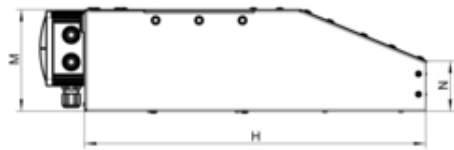
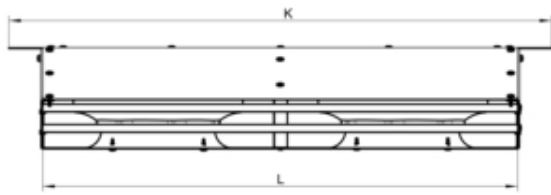
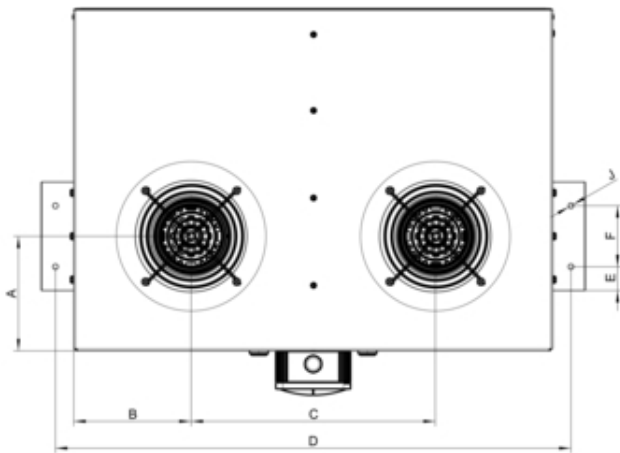
Jet fan for day-to-day ventilation, CO monitoring and cold smoke extraction. For you as a HVAC planner or garage operator, the IV smart can meet whatever requirements you need. Currently the most compact jet fan on the market. You get a safe solution even for garages with low ceilings. Low weight and integrated galvanized steel ceilings mount. Can be mounted quickly, easily and safely. Available in 50/60 Hz, 230V motors with IP44, as per EN 60034-5/IEC 85. Two parallel Sileo centrifugal impellers made from plastic and an aerodynamically optimized outlet.



Technical parameters

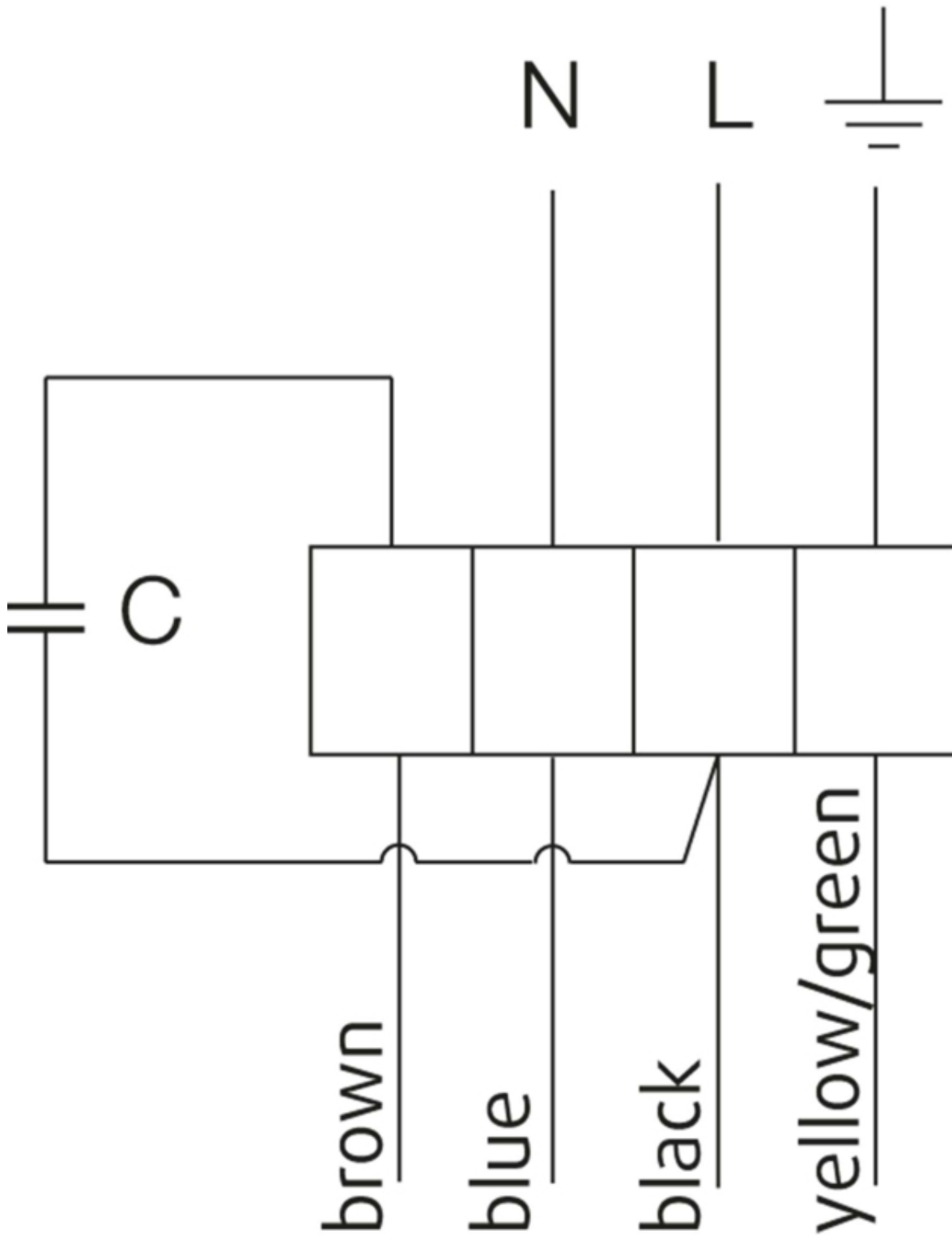
Nominal data		
Voltage	230	V
Frequency	50	Hz
Phase	1	~
Input power (P1)	460	W
Current	1,9	A
Thrust	12-12	N
Max. airflow	0,65	m³/s
R.p.m.	2350	r.p.m.
Weight	20	kg
Temperature data		
Max. temperature of transported air	55	°C
Sound data		
Sound pressure level at 3 m (free field)	73	dB(A)
Protection / Classification		
Insulation class	F	
Enclosure class, motor	IP44	

Dimensions




	A	B	C	D	E	F	H	J	K	L	M	N
IV Smart	169	173	360	760	36	140	554	8	800	700	150	67


230V 1~



Accessories

Documentation

 manual_iv smart_en_[003].pdf (666,81kB)

 eu declaration of conformity_jet fans_en_002.pdf (48,52kB)

Specification text