

IV SMART EC-CO

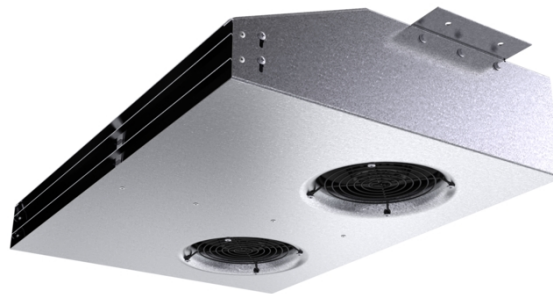
Item no. 88435

Version: 50/60 Hz

Document type: **Product card**
 Document date: **2019-07-18**
 Generated by: **Systemair Online Catalogue**

Description

- 100% speed controllable via 0-10V signal
- Integrated motor protection
- Casing is made from galvanised steel
- Suitable for temperature up to 55°C
- External terminal box for easy electronic connection
- inclusive power supply divider

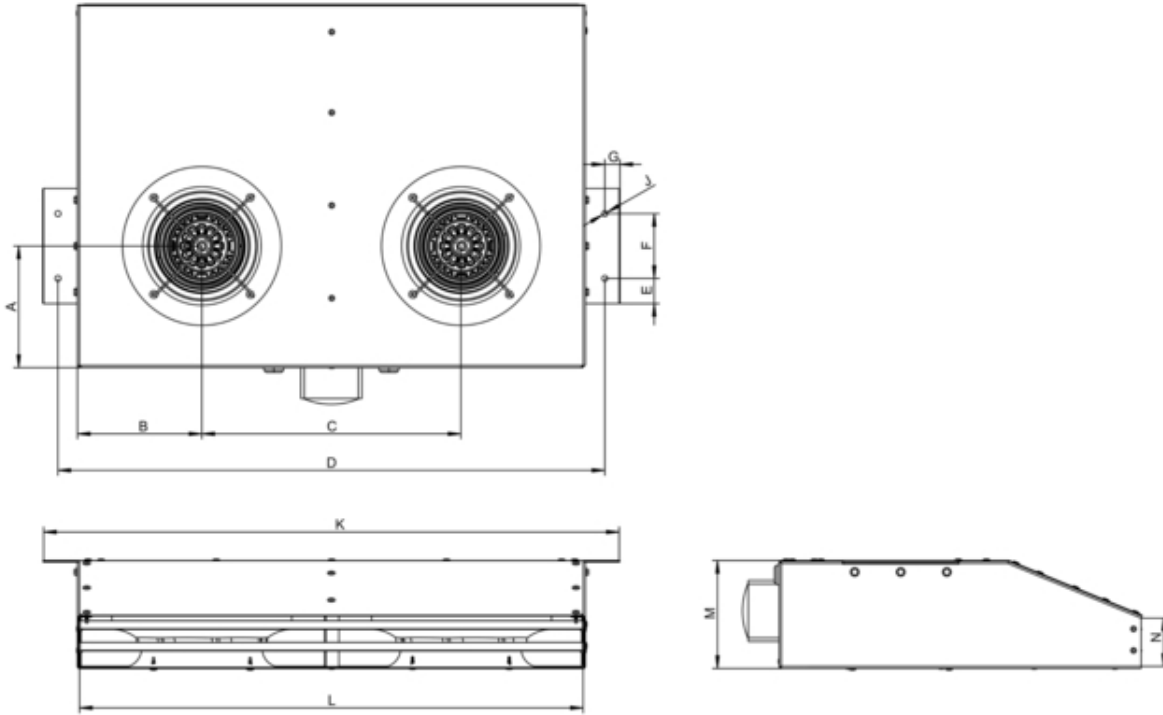


Green Ventilation Jet fan with energy-efficient EC technology for day-to-day ventilation, CO monitoring and cold smoke extraction. Green Ventilation jet fan with energy-efficient EC technology for day-to-day ventilation, CO monitoring and cold smoke extraction. For you as a HVAC planner or garage operator, the IV smart can meet whatever requirements you need. Currently the most compact jet fan on the market. You get a safe solution even for garages with low ceilings. Low weight and integrated galvanised steel ceiling mount. Can be mounted quickly, easily and safely. Available in 50/60 Hz, 230V EC motors with IP 44, as per EN 60034-5/IEC 85. Two parallel Sileo centrifugal impellers made from plastic and an aerodynamically optimized outlet.

Technical parameters

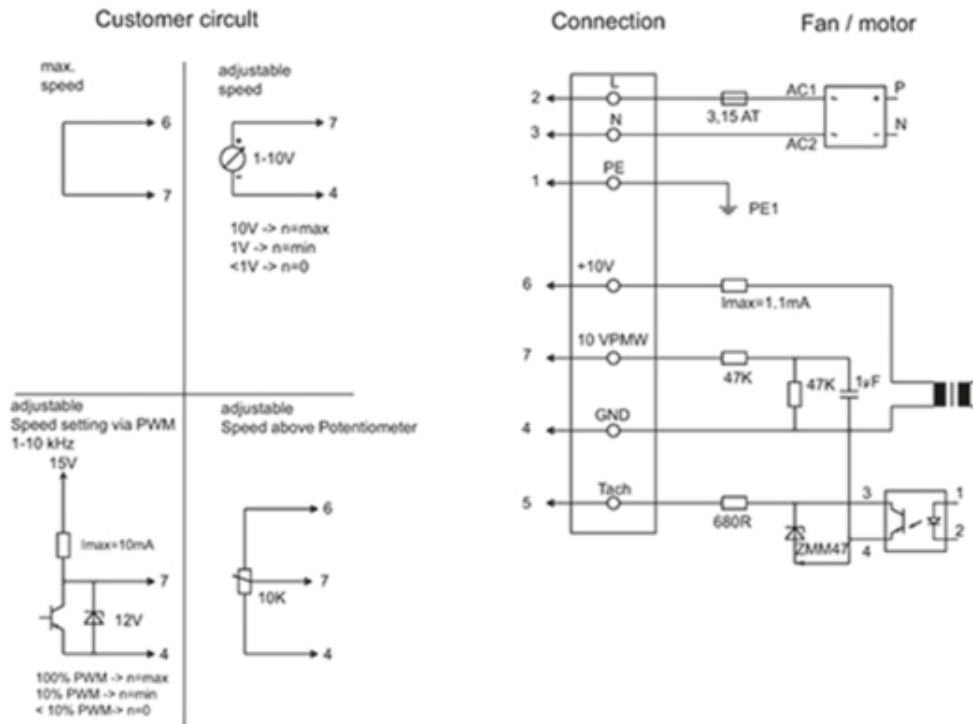
Nominal data		
Voltage	230	V
Frequency	50	Hz
Phase	1	~
Input power (P1)	350	W
Current	2,6	A
Thrust	12-12	N
Max. airflow	0,633	m³/s
R.p.m.	2630	r.p.m.
Weight	17,4	kg
Temperature data		
Max. temperature of transported air	55	°C
Sound data		
Sound pressure level at 3 m (free field)	69	dB(A)
Protection / Classification		
Insulation class	B	
Enclosure class, motor	IP44	

Dimensions



	A	B	C	D	E	F	H	J	K	L	M	N
IV Smart	169	173	360	760	36	140	554	8	800	700	150	67


Wiring



Line	No.	Signal	Colour	Function / assignment
	2	L	brown	Power supply 230 VAC, 50-60 Hz, see type plate for voltage range
	3	N	blue	Neutral conductor
	1	PE	green/yellow	Protective earth
	7	0-10V PWM	yellow	Control input 0 - 10 V or PWM, electrically isolated
	5	Tacho	white	Tach output: open collector, 1 pulse per revolution, electrically isolated, Isink_max=10mA
	6	10V/ max 1.1mA	red	Voltage output 10 V/ 1.1 mA, electrically isolated
	4	GND	blue	GND - Connection for control interface

Accessories

Documentation

 [manual_iv smart_en_\[003\].pdf](#) (666,81kB)

 [eu declaration of conformity_jet fans_en_002.pdf](#) (48,52kB)

Specification text