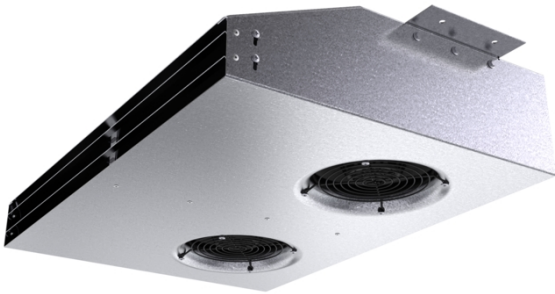


IV SMART EC

Item no. 38373

Document type: **Product card**
 Document date: **2019-07-18**
 Generated by: **Systemair Online Catalogue**

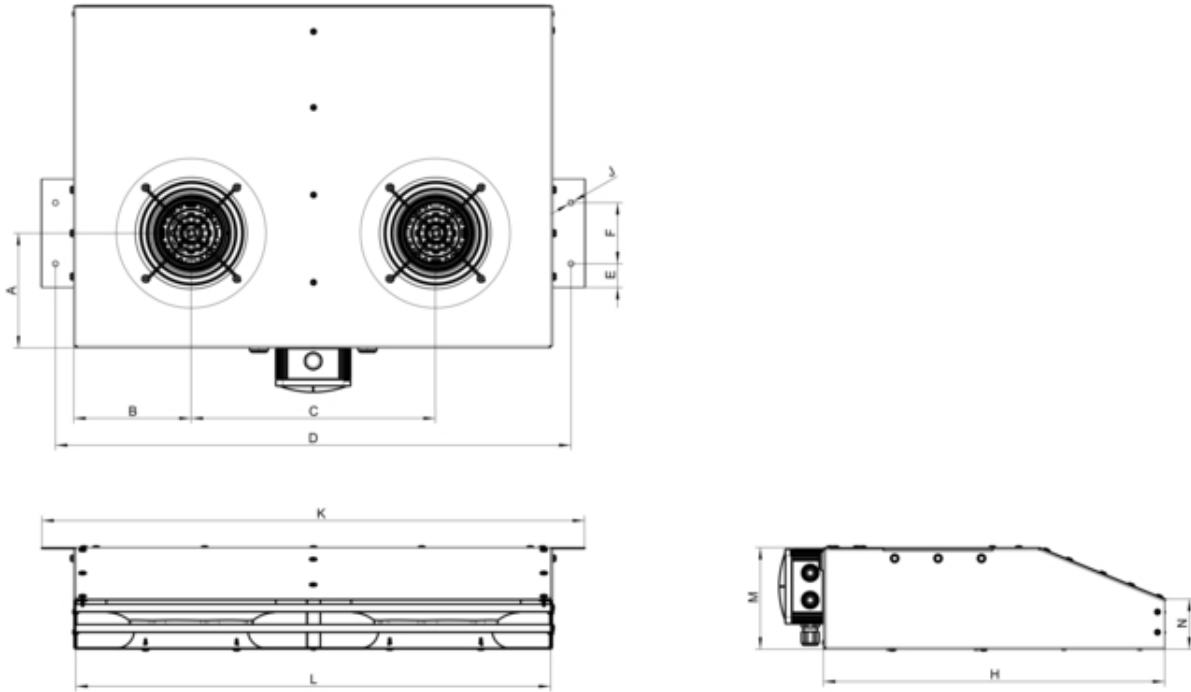
Description



Technical parameters

Nominal data		
Voltage	230	V
Frequency	50/60	Hz
Phase	1	~
Input power (P1)	350	W
Current	2,6	A
Thrust	12-12	N
Max. airflow	0,633	m ³ /s
R.p.m.	2630	r.p.m.
Weight	17,4	kg
Temperature data		
Max. temperature of transported air	55	°C
Sound data		
Sound pressure level at 3 m (free field)	69	dB(A)
Protection / Classification		
Insulation class	B	
Enclosure class, motor	IP44	

Dimensions





	A	B	C	D	E	F	H	J	K	L	M	N
IV Smart	169	173	360	760	36	140	554	8	800	700	150	67

Wiring

Accessories

Documentation

 manual_iv smart_en_[003].pdf (666,81kB)

 eu declaration of conformity_jet fans_en_002.pdf (48,52kB)