

KBR/F 355E4/K SMOKE EXTR. F400

Item no. 32891

Document type: **Product card**
 Document date: **2019-07-16**
 Generated by: **Systemair Online Catalogue**

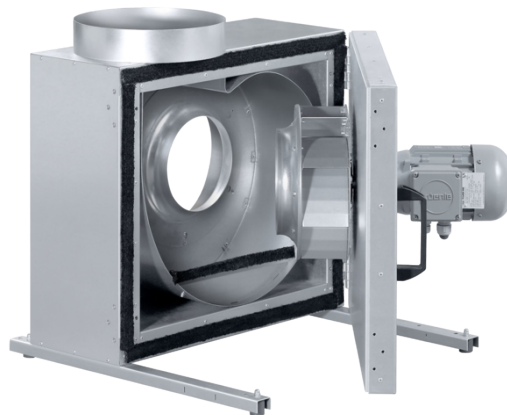
Description

- Smoke extract unit
- 400°/120 min (F400)
- Insulated casing
- Speed-controllable
- Integral thermal contacts
- Low sound level
- Tested acc. to EN 12101-3 at LGAI Barcelona.
- CE-certified acc. to EN 12101-3, 2002-06 at TÜV Süd

The KBR/F fans smoke extract unit are used in case of fire to extract smoke gases from rooms, and also during normal working conditions for standard temperature up to 200°C.

The KBR/F units have backward curved impellers made of galvanized steel expect size 355 which is a steel impeller painted RAL 9005. The unit have a swing out door for easy inspection and service. The direction of the door opening can easily be changed from left to right at site. The fan have a double isolated casing with 50 mm rockwool inside.

To protect the motors from overheating the KBR fans have integral thermal contacts with external leads for connection to a motor protection device. (Except size KBR 280 D2 and D2-4 which have integral cold conductors). In case of fire all protective devices must be bridged to guarantee functional capability.

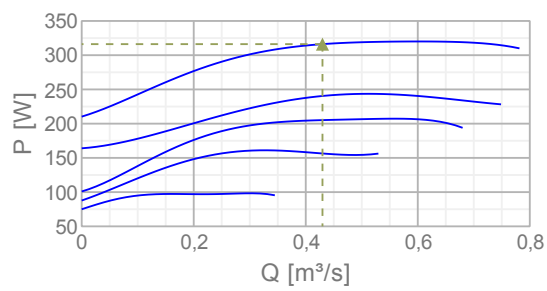
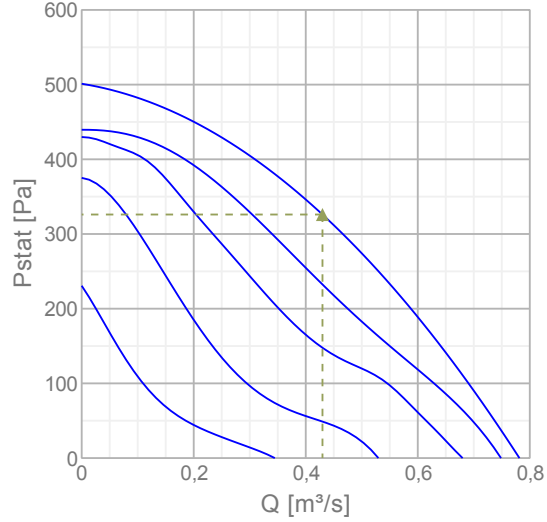


Technical parameters

Nominal data		
Voltage	230	V
Frequency	50	Hz
Phase	1	~
Input power (P1)	319	W
Current	2,1	A
Starting current	4,9	A
Max. airflow	0,778	m³/s
R.p.m.	1330	r.p.m.
Weight	81	kg
Temperature data		
Max. temperature of transported air	200	°C
Max. temp. of transported air for 120 min	400	°C
Sound data		
Sound pressure level at 4 m	42	dB(A)
Sound pressure level at 10 m	31	dB(A)
Protection / Classification		
Insulation class		F
Enclosure class, motor		IP54

Diagrams

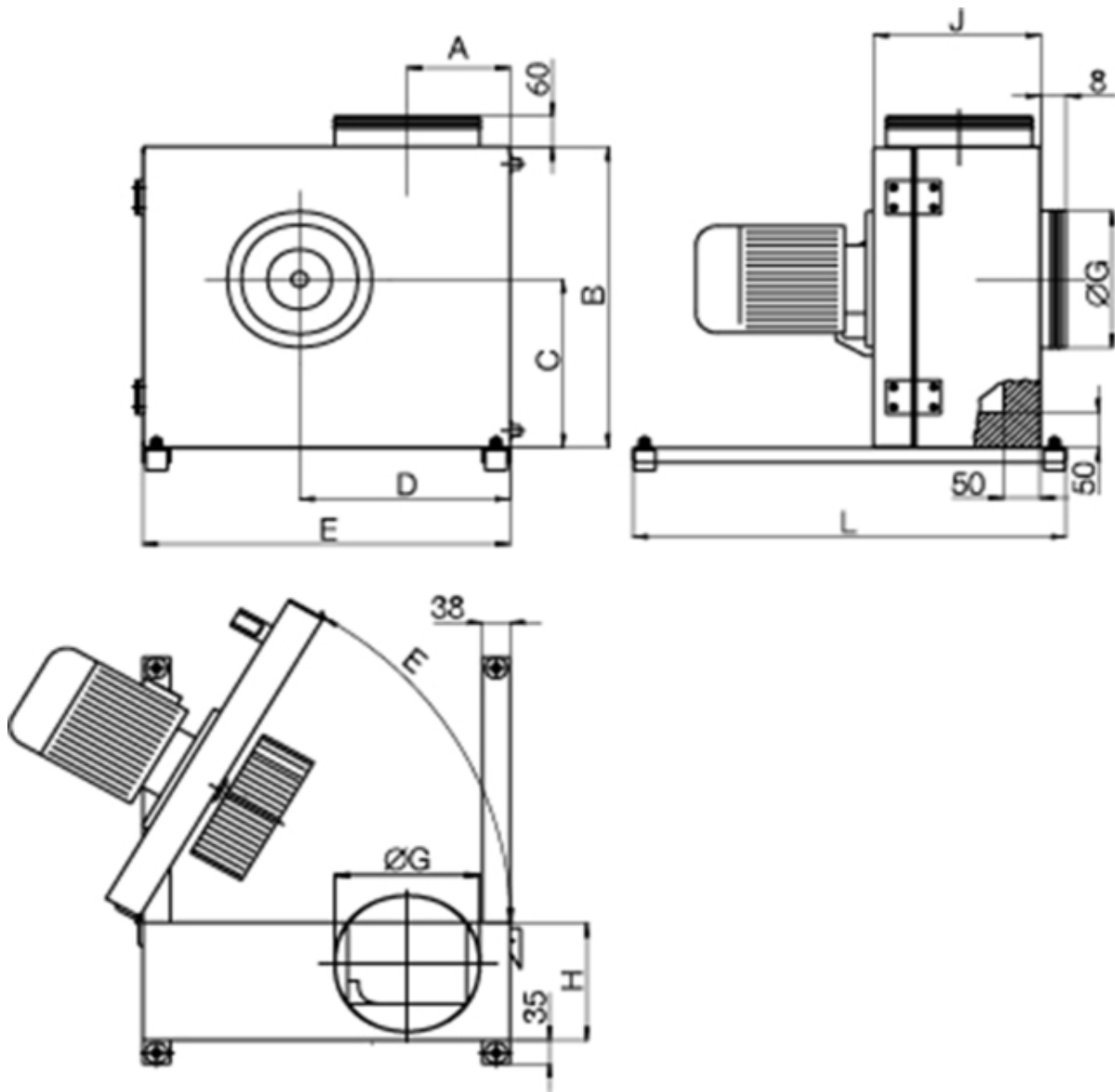
Diagrams



Max efficiency

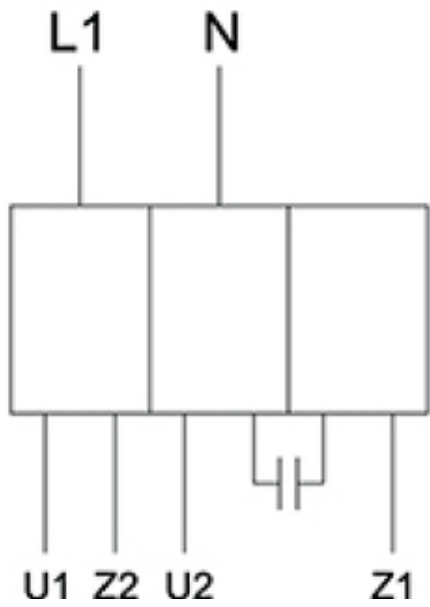
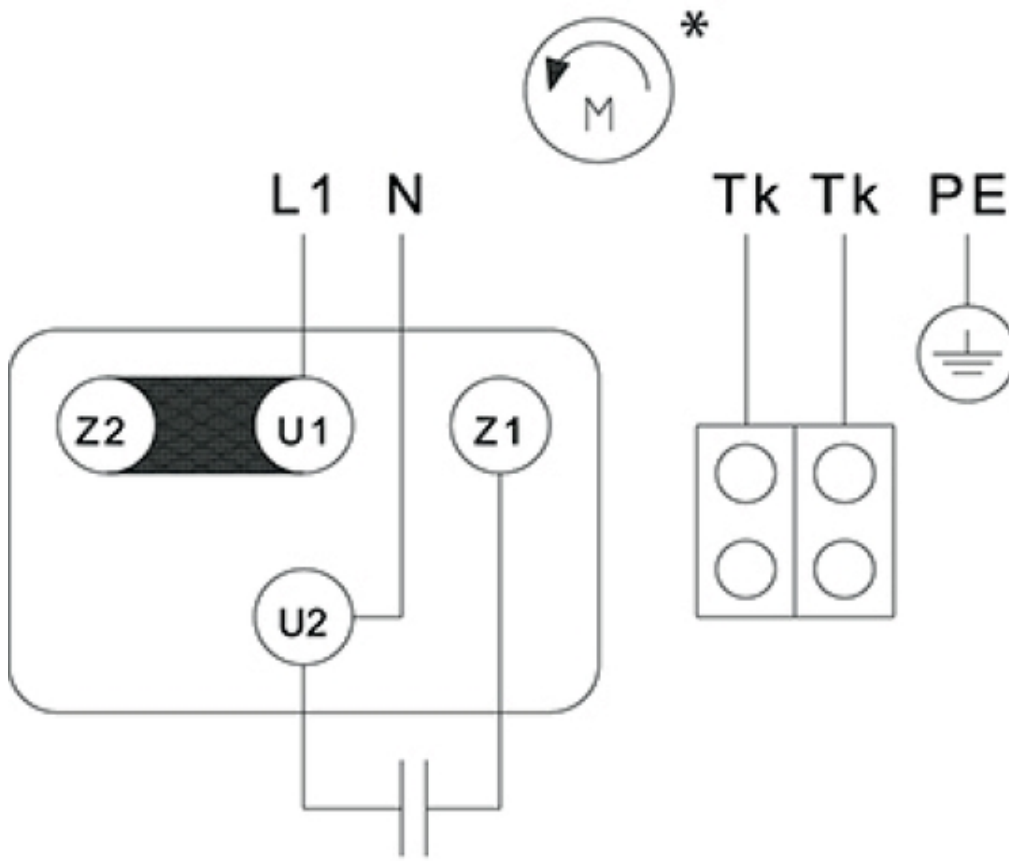
Hydraulic data	
▲ Working air flow	0,43 m³/s
▲ Working static pressure	326 Pa
▲ Power	316 W
Speed	1410 r.p.m.
Current	1,4 A
SFP	0,735 W(l/s)
Voltage	230 V

Dimensions



	A	B	C	D	E	ØG	H	J	L
KBR/F 355	206,7	655	372	451	770	355	273	331	770

Wiring



cir-dia_301736 STB IEC 071B51Ph4p0,3kW_linksdrehend_160602_int_002

Accessories


Electric accessories


[REU 3 Speed control \(5005\)](#)
[RTRE 3 Speed control \(5009\)](#)
[REPT 6 Digital regulator \(5698\)](#)
[S-DT2SKT Two speed switch Y/D \(2697\)](#)
[RT 0-30 Room Thermostat \(5151\)](#)
[S-ET 10 Motor Protection \(5154\)](#)
[S-ET 10E Motor Protection \(5155\)](#)
[CO2RT-R-D Transmitter \(6993\)](#)
[Presence detector/IR24-P \(6995\)](#)
[DTV200 \(6261\)](#)
[REV-3POL/03 ON/OFF \(33978\)](#)
[REV-5POL/05 ON/OFF \(33979\)](#)
[DTV500A \(96807\)](#)

Accessories


[WBK 315/355 Wall bracket \(2721\)](#)
[WSD KBR-1 Weather roof f.motor \(2728\)](#)
[UGF 355 Transition flange \(305494\)](#)
[LRK 355\(F\) air oper. damper \(8317\)](#)
[RSA 355/355/070 \(F\) \(311349\)](#)
[RSA 355/532,5/070 \(F\) \(311350\)](#)
[RSA 355/710/070 \(F\) \(311351\)](#)
[EVH 355 flex.conn. AXC 400°C \(8365\)](#)

Documentation

 [manual_kbr_en_\[003\].pdf \(3,41MB\)](#)

 [KBR_F 280-355_EN.pdf \(948,90kB\)](#)

 [ec-dec_kbr\(f\) mub\(f\)_160414_DE,GB_002_ab 20. April.pdf \(556,83kB\)](#)

 [dop_kbr\(f\)_en_002.pdf \(63,52kB\)](#)

Acoustics

Mid-frequency band, Hz

355 E4/K	Hz	Tot	125	250	500	1k	2k	4k	8k
LwA Inlet	dB(A)	80	78	74	71	67	65	61	57
LwA Outlet	dB(A)	82	80	76	73	69	67	63	59
LwA Surrounding	dB(A)	62	60	56	53	49	47	43	39

Measuring point: qv = 0,42 m3/s, Ps = 320 Pa