

KBR 355DV/K THERMO FAN

Item no. 5977

Document type: **Product card**
 Document date: **2019-07-16**
 Generated by: **Systemair Online Catalogue**

Description

- Max temperature of transported air 120°C
- Speed-controllable(exept models 280D2 & 280D2-4)
- Integral thermal contacts
- Low sound level

The KBR fans have impellers manufactured from aluminum with backward-curved blades and external rotor motors. The KBR casing is manufactured from doubleskinned galvanised sheet steel and is insulated with 50 mm mineral wool.

The KBR fans have a swing-out door for easy inspection and service. The direction of the door opening can easily be changed from left to right at site. The fan is isolated from the casing via connectors and anti-vibration dampers are incorporated into the base frame.

To protect the motors from overheating the KBR fans have integral thermal contacts(KBR 280D2 & 280D2-4 with PTC) with external leads for connection to a motor protection device.

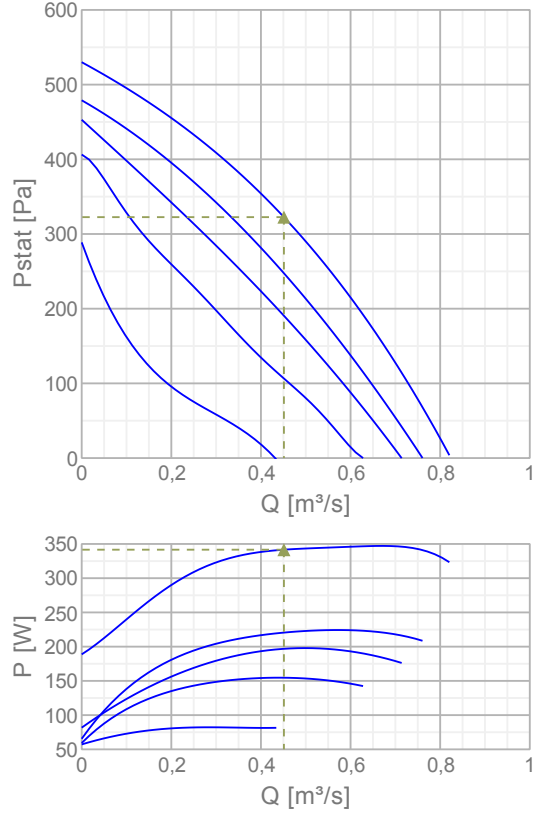


Technical parameters

| Nominal data | | |
|-------------------------------------|------|--------|
| Voltage | 400 | V |
| Frequency | 50 | Hz |
| Phase | 3 | ~ |
| Connection | D/Y | |
| Input power (P1) | 323 | W |
| Current | 1,39 | A |
| Max. airflow | 0,82 | m³/s |
| R.p.m. | 1434 | r.p.m. |
| Weight | 64 | kg |
| Temperature data | | |
| Max. temperature of transported air | 120 | °C |
| Sound data | | |
| Sound pressure level at 4 m | 41 | dB(A) |
| Sound pressure level at 10 m | 33 | dB(A) |
| Protection / Classification | | |
| Insulation class | F | |
| Enclosure class, motor | IP54 | |
| Default group | | |
| Starting current | 4,6 | A |

Diagrams

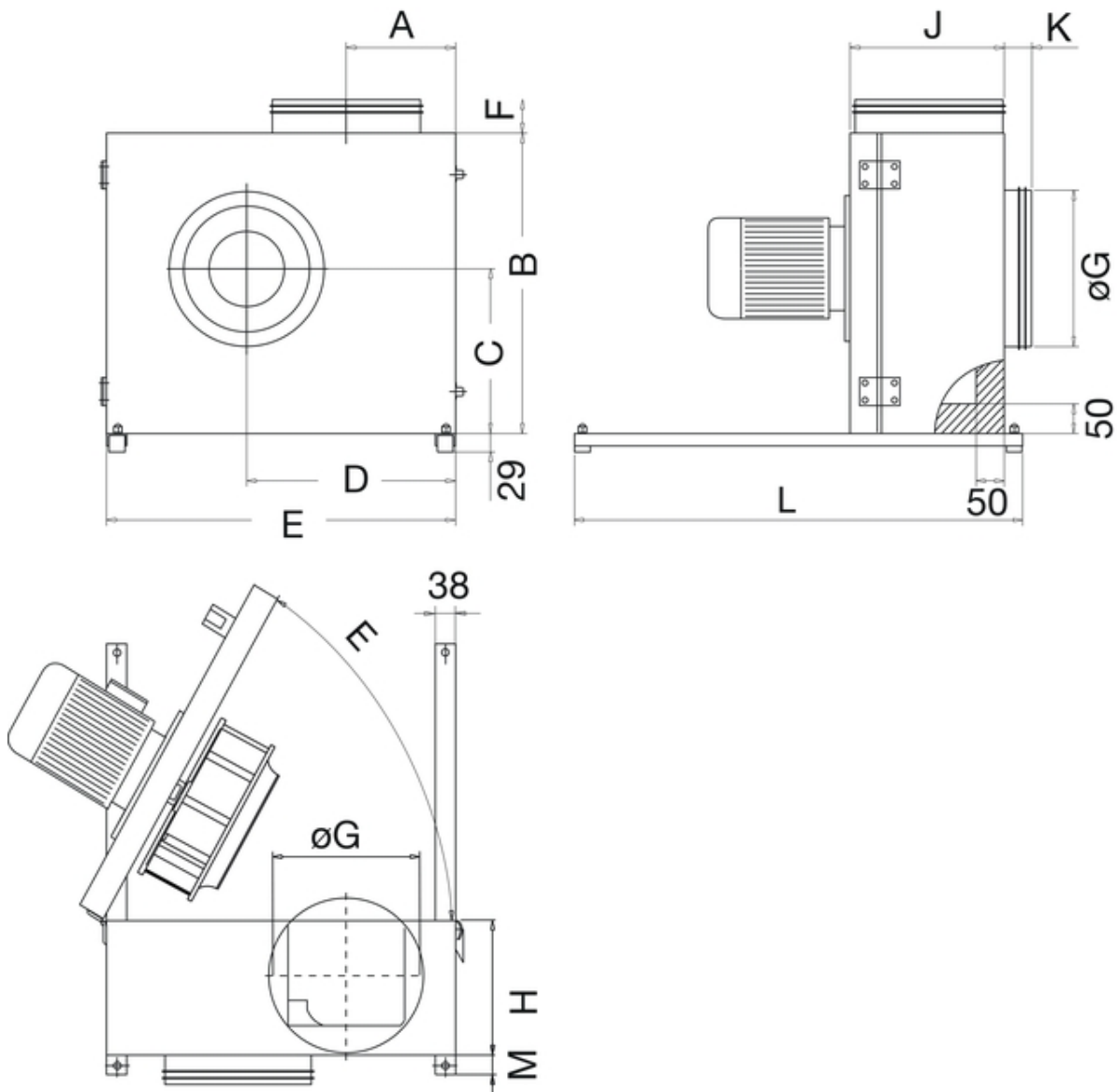
Diagrams



Max efficiency

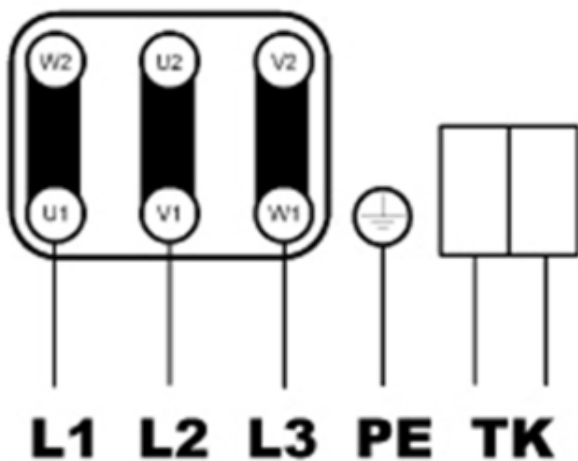
| Hydraulic data | |
|---------------------------|---------------|
| ▲ Working air flow | 0,451 m³/s |
| ▲ Working static pressure | 323 Pa |
| ▲ Power | 342 W |
| Speed | 1436 r.p.m. |
| Current | 1,24 A |
| SFP | 0,757 W/(l/s) |
| Voltage | 400 V |

Dimensions

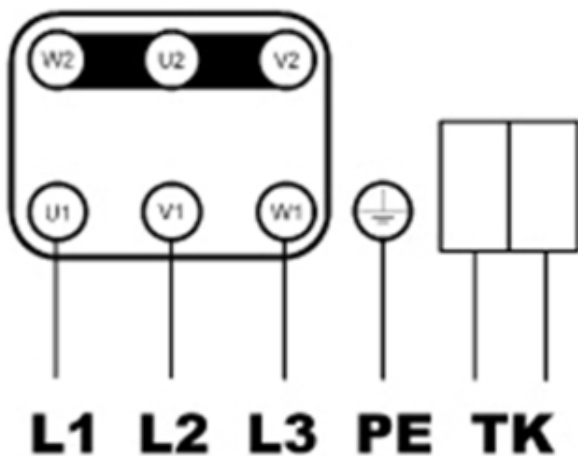


| KBR | A | B | C | D | E | F | $\varnothing G$ | H | J | K | L | M |
|-----|-------|-----|-----|-----|-----|-----|-----------------|-----|-----|----|-----|----|
| 355 | 206,7 | 655 | 372 | 451 | 770 | 125 | 355 | 273 | 331 | 70 | 770 | 55 |

Wiring



D-Schaltung
D-koppling
Delta connection
Branchement en triangle



Y-Schaltung
Y-koppling
Star connection
Branchement en étoile

cir-dlia_kbr dv_160510_de,en,se,fr_001

Accessories


Electric accessories


[RTRD 2 Speed Cont. Systemair \(5941\)](#)
[RTRDU 2 Speed contr. Systemair \(5945\)](#)
[S-DT2SKT Two speed switch Y/D \(2697\)](#)
[RT 0-30 Room Thermostat \(5151\)](#)
[STDT 16 Motor Protection \(5152\)](#)
[STDT 16E Motor Protection \(5153\)](#)
[CO2RT-R-D Transmitter \(6993\)](#)
[Presence detector/IR24-P \(6995\)](#)
[DTV200 \(6261\)](#)
[REV-5POL/07 ON/OFF \(33980\)](#)
[REV-9POL/12 ON/OFF \(33981\)](#)
[FRQ-4A V2 \(36227\)](#)
[FRQ5-4A+LED V2 \(36229\)](#)
[FRQ5S-4A+LED V2 \(36233\)](#)
[FRQS-4A V2 \(36231\)](#)
[DTV500A \(96807\)](#)

Accessories

[ASF 355/KB Flex. connection \(2719\)](#)
[WBK 315/355 Wall bracket \(2721\)](#)
[ALS-KBR drain plug \(2727\)](#)
[WSD KBR-1 Weather roof f.motor \(2728\)](#)

Documentation

 manual_kbr_en_[003].pdf (3,41MB)

 eu declaration of conformity_thermofans_en_[002].pdf (46,39kB)

Acoustics

Mid-frequency band, Hz

| | | Tot | 125 | 250 | 500 | 1k | 2k | 4k | 8k |
|-----------------|-------|-----|-----|-----|-----|----|----|----|----|
| LwA Inlet | dB(A) | 82 | 80 | 79 | 74 | 72 | 68 | 62 | 59 |
| LwA Outlet | dB(A) | 84 | 82 | 81 | 76 | 74 | 70 | 64 | 61 |
| LwA Surrounding | dB(A) | 64 | 62 | 61 | 56 | 54 | 50 | 44 | 41 |

Measurement point: 1152 m3/h; 398 Pa

Specification text

Kitchen exhaust fan for medium temperatures up to 120 °C in continuous operation, reliable, swing-out service door incl. motor section, motor outside air flow. Casing made of double-skinned galvanised steel sheet, insulated with 50 mm rock wool, non-combustible according to A1 DIN 4102. Swing-out door for easy inspection and service of impeller and motor, completely swing out to the outside. Backward curved centrifugal impeller made of aluminium. Impeller acc. to VDI 2060, balancing quality Q 6.3, dynamically balanced in two planes acc. to ISO 1940 T1. Voltage controllable internal rotor motor, standard motor IEC, outside the air flow. Integral thermal contacts with leads to a motor protection device. Speed-controlled by voltage reduction via transformer, 2 speed control by star delta change-over, controllable via frequency inverter. Terminal box fitted on the motor. Suction and discharge sided duct connection with rubber-lip seal. Top discharge. With protection plate to avoid condensate leakage. Low sound level. Indoor installation, outdoor installation with weather roof (WSD). Delivery with mounting rails and rubber vibration dampers.