

KVK 160 L INS. CIRC. DUCT FAN

Item no. 2434

Version: 50 Hz

Document type: **Product card**
 Document date: **2019-07-10**
 Generated by: **Systemair Online Catalogue**



Description

- Speed-controllable
- Integral thermal contacts
- Low noise level
- Compact construction

The KVK 125-160 models have a single-inlet centrifugal fan with forward-curved blades and a maintenance-free external rotor motor. To protect the motor from overheating the KVK 125-160 has integral thermal contacts with electrical reset. The fans can be installed in any position, and are easy to connect to spiral ducts using FK mounting clamps. The KVK models are manufactured from galvanised sheet steel and are thermally and acoustically insulated with a 50 mm layer of rockwool with a surface liner which prevents the migration of fibres into the airstream.



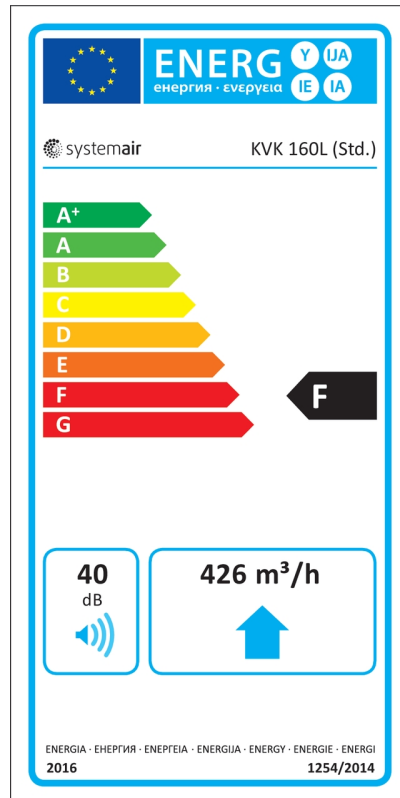
Technical parameters

Nominal data		
Voltage	230	V
Frequency	50	Hz
Phase	1	~
Input power (P1)	134	W
Current	0,59	A
Max. airflow	0,138	m ³ /s
R.p.m.	2519	r.p.m.
Min. static back pressure	0	Pa
Capacitor	4	µF
Weight	11,8	kg
Temperature data		
Max. temperature of transported air	70	°C
Max. temperature of transported air when speed-controlled	70	°C
Sound data		
Sound pressure level at 3 m	39,2	dB(A)

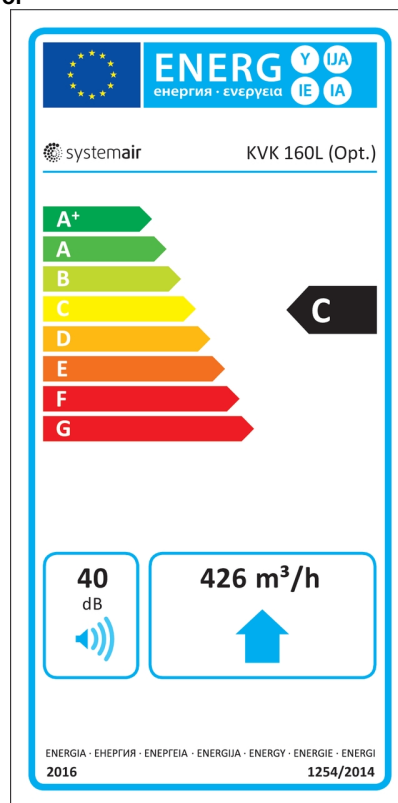
Protection / Classification	
Insulation class	B
Enclosure class, motor	IP44
ErP	
Energy class, basic unit	F
Energy class, basic unit option	C
ErP ready	ErP 2016/ErP 2018

Energy class label

Energy class, basic unit

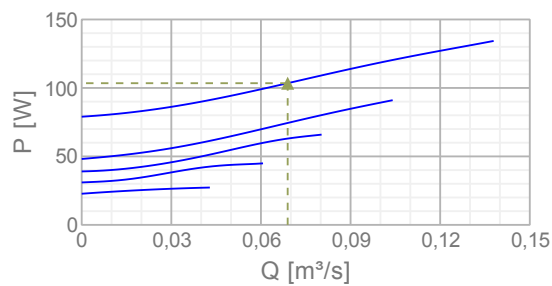
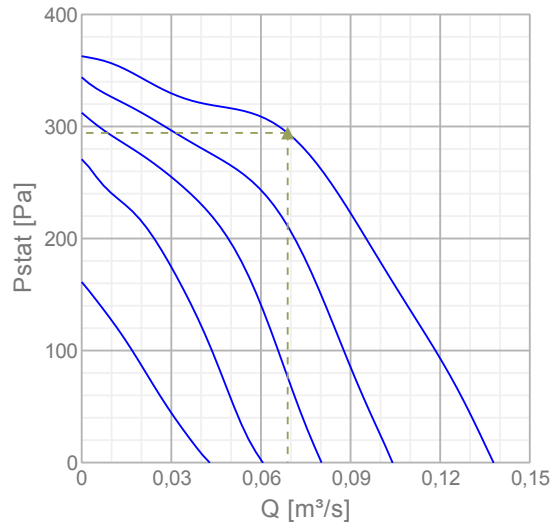


Energy class, unit with local demand control



Diagrams

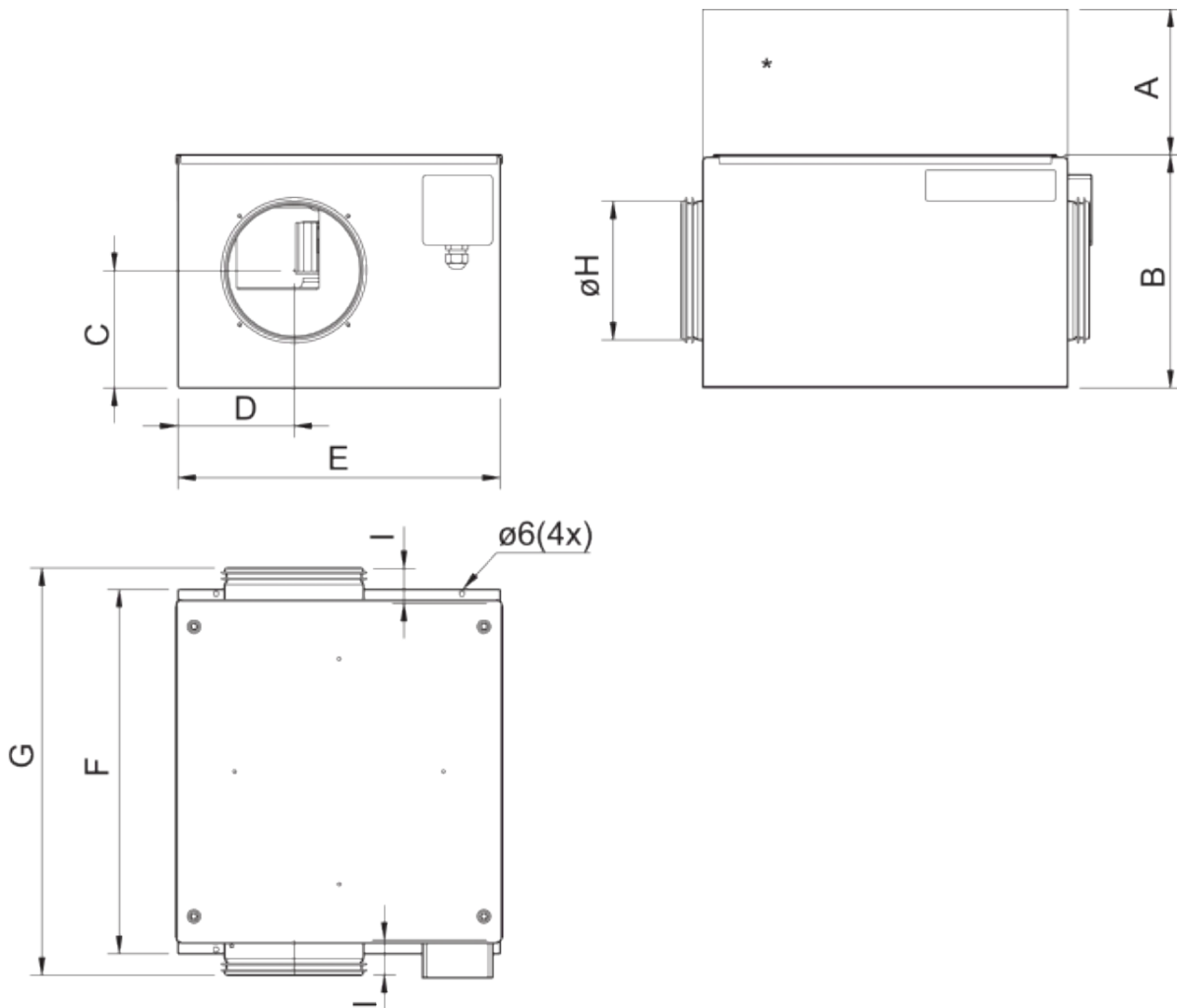
Diagrams



Max efficiency

Hydraulic data											
▲ Working air flow	0,0689 m³/s										
▲ Working static pressure	294 Pa										
▲ Power	103 W										
Speed	2726 r.p.m.										
Current	0,453 A										
SFP	1,5 W(l/s)										
Voltage	230 V										
Sound power level	63	125	250	500	1k	2k	4k	8k	Tot		
Inlet	dB(A)		48	62	53	49	46	45	42	38	63
Outlet	dB(A)		56	65	66	67	69	69	62	57	75
Surrounding	dB(A)		25	43	39	39	34	30	25	18	46

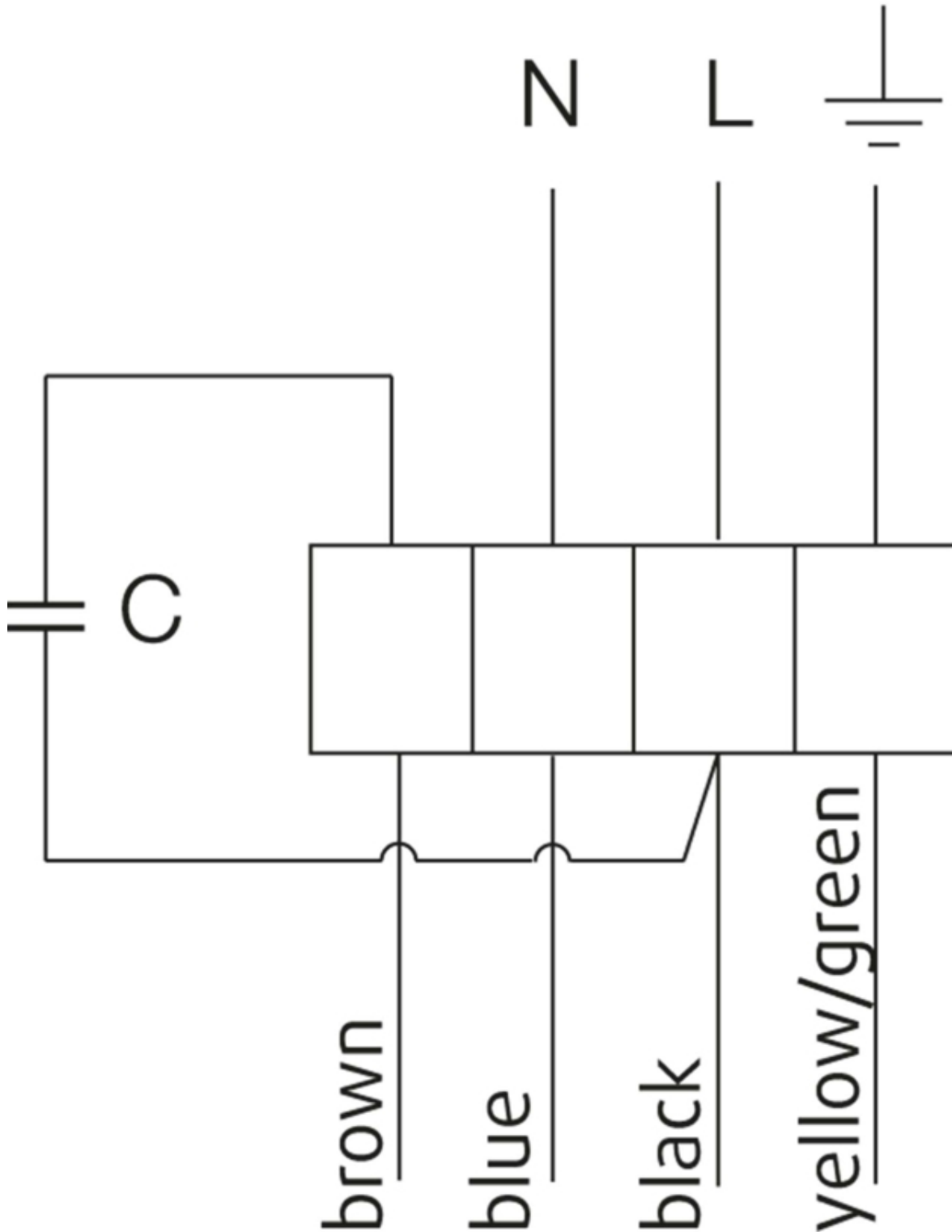
Dimensions



KVK	A	B	C	D	E	F	G	øH	I
160	230	266	134	132	367	415	464	160	40

*= Free area

230V 1~



U1 = blue = blau
U2 = black = schwarz
Z = brown = braun
PE = yellow/green = grün-gelb

Accessories

Electric accessories

[RE 1.5 Speed control \(5000\)](#)
[REU 1.5 Speed control \(5004\)](#)
[REE 1 Speed control \(5314\)](#)
[REPT 6 Digital regulator \(5698\)](#)
[RT 0-30 Room Thermostat \(5151\)](#)
[CO2RT-R-D Transmitter \(6993\)](#)
[Presence detector/IR24-P \(6995\)](#)
[RETP 6 Temp/Pressure regulator \(32293\)](#)
[STL 1.5 Speed controller \(84251\)](#)
[REV-3POL/03 ON/OFF \(33978\)](#)
[FRQS-E-6A \(37419\)](#)
[FRQS-E-6A \(37421\)](#)

Accessories

[CB 160-1,2 230V/1 Duct heater \(5291\)](#)
[CB 160-2,1 230V/1 Duct heater \(5292\)](#)
[CB 160-2,7 230V/1 Duct heater \(5382\)](#)
[CBM 160-2,1 230V/1 Duct heater \(5482\)](#)
[VBF 160 Water heating battery \(1731\)](#)
[CWK 160-3-2,5 Duct cooler.circ \(30022\)](#)
[VBC 160-2 Water heating batt \(5458\)](#)
[LDC 160-600 Silencer \(5192\)](#)
[LDC 160-900 Silencer \(5193\)](#)
[FFR 160 Filter cassette \(1770\)](#)
[FGR 160 Filter cassette \(1809\)](#)
[FK 160 Fast clamp \(1610\)](#)
[VKK-160 Back draft damper \(1625\)](#)
[IGK-160 Wall Grid \(1632\)](#)
[RSK-160 Back draft damper \(5601\)](#)
[SG 160 Protection guard \(5608\)](#)
[THB 160 Hood w. cover pl. Red \(2034\)](#)
[THB 160 Hood w.cover pl. black \(1764\)](#)
[THS 160 Hood w.cover pl. black \(1839\)](#)
[THS 160 Hood w. cover pl. Red \(2044\)](#)
[VBC 160-3 Water heating batt \(9840\)](#)
[LDC 160-300 Silencer \(53108\)](#)
[CB 160-5,0 400V/2 Duct heater \(5383\)](#)

Documentation

 [202341_Fans_Instructions_CE_A010.pdf \(1,83MB\)](#)

 [Semko Certificate KVK 1116708.pdf \(1,38MB\)](#)

Specification text

KVK 160L Circular duct fan
DN 160, 230V/50Hz, 1~, sound insulated

Centrifugal circular duct fan designed for easy and direct installation in ducts. Compact design with duct connections on both sides. The casing is manufactured from galvanised sheet steel, thermally and sound insulated with a 50 mm layer of mineral wool, internal surfaces protected by perforated, galvanized steel sheet. The fan unit can be easily removed for cleaning and maintenance.

Forward curved centrifugal impeller made of galvanized sheet steel. Impeller acc. to VDI 2060, balancing quality G 6.3, dynamically balanced in two planes.

Voltage controllable external rotor motor (IP44), maintenance-free, the motor is placed inside the air flow for cooling. Integral thermal contact with automatic reset acc. to EN 60335-2-80. Speed-controlled by voltage reduction via transformer or thyristor. Terminal box on the casing.

For extract and supply air.
Installation in any mounting position.

For indoor installation.

PRODUCT: SYSTEMAIR
TYPE: KVK 160L
Item no. 2434

KVK 160L Circular duct fan
DN 160, 230V/50Hz, 1~, sound insulated

Centrifugal circular duct fan designed for easy and direct installation in ducts. Compact design with duct connections on both sides. The casing is manufactured from galvanised sheet steel, thermally and sound insulated with a 50 mm layer of mineral wool, internal surfaces protected by perforated, galvanized steel sheet. The fan unit can be easily removed for cleaning and maintenance.

Forward curved centrifugal impeller made of galvanized sheet steel. Impeller acc. to VDI 2060, balancing quality G 6.3, dynamically balanced in two planes.

Voltage controllable external rotor motor (IP44), maintenance-free, the motor is placed inside the air flow for cooling. Integral thermal contact with automatic reset acc. to EN 60335-2-80. Speed-controlled by voltage reduction via transformer or thyristor. Terminal box on the casing.

For extract and supply air.
Installation in any mounting position.

For indoor installation.

PRODUCT: SYSTEMAIR
TYPE: KVK 160L
Item no. 2434