

# KV 315 L SILEO

Item no. 19520

Document type: **Product card**  
 Document date: **2019-07-10**  
 Generated by: **Systemair Online Catalogue**

## Description

- Speed-controllable
- Quiet-running
- Increased efficiency
- Integral thermal contacts
- Can be installed in any position - duct or wall mounted
- Can be installed outdoors
- Maintenance-free and reliable

The KV sileo series is designed for installation in ducts. All KV-fans have minimum 25 mm long spigot connections. The FK mounting clamp facilitates easy installation and removal, and prevents the transfer of vibration to the duct. The fans have backward-curved blades and external rotor motors. KV sileo fans can be speed-controlled via a stepless thyristor or a 5-step transformer.

To protect the motor from overheating the fan has integral thermal contacts with manual reset.

The casing is manufactured from galvanised sheet steel and folded which gives the fan a close to air tight casing, wet room applications of the fan are possible due to the air tight casing.

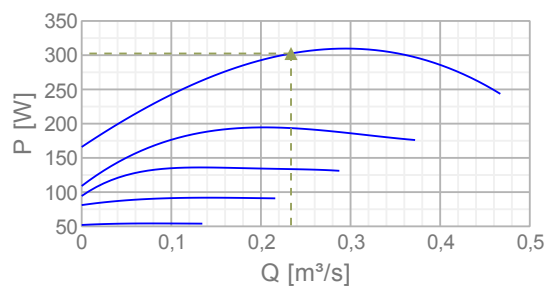
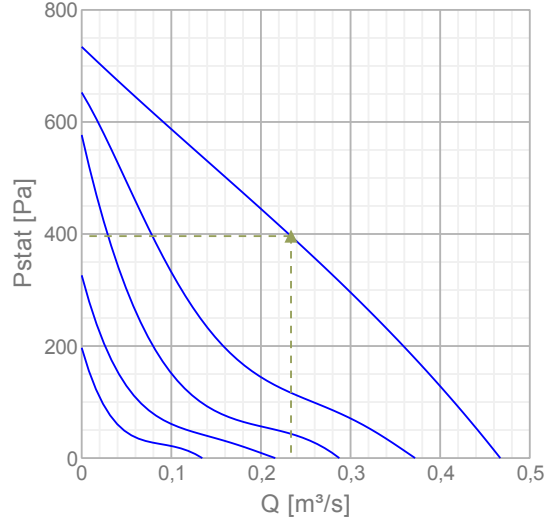


## Technical parameters

Nominal data		
Voltage	230	V
Frequency	50	Hz
Phase	1	~
Input power (P1)	310	W
Current	1,35	A
Max. airflow	0,467	m³/s
R.p.m.	2367	r.p.m.
Capacitor	7	µF
Weight	6,6	kg
Temperature data		
Max. temperature of transported air	50,7	°C
Max. temperature of transported air when speed-controlled	45,4	°C
Sound data		
Sound pressure level at 3 m	50,7	dB(A)
Protection / Classification		
Insulation class	F	
Enclosure class, motor	IP44	

## Diagrams

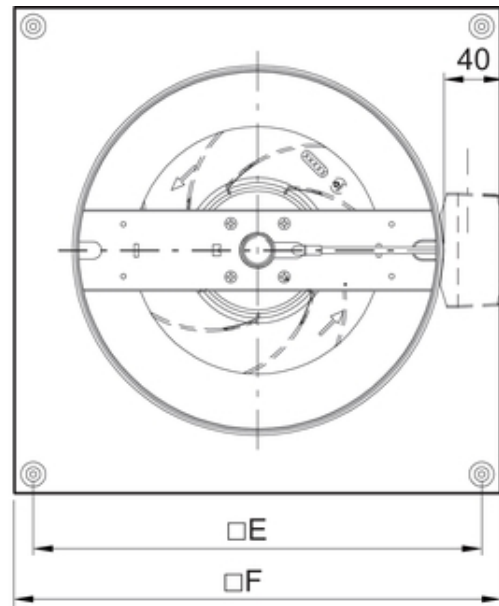
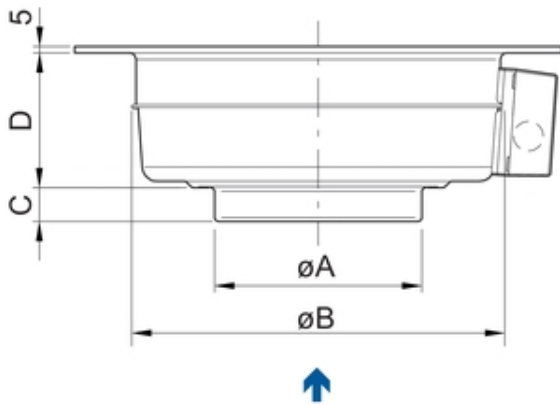
### Diagrams



### Max efficiency

Hydraulic data										
▲ Working air flow										0,234 m³/s
▲ Working static pressure										396 Pa
▲ Power										302 W
Speed										2393 r.p.m.
Current										1,32 A
SFP										1,3 W(l/s)
Voltage										230 V
Sound power level		63	125	250	500	1k	2k	4k	8k	Tot
Inlet	dB(A)	57	67	67	70	68	66	63	59	75
Outlet	dB(A)	40	59	65	71	72	70	64	60	77
Surrounding	dB(A)	42	44	42	54	51	50	46	39	58

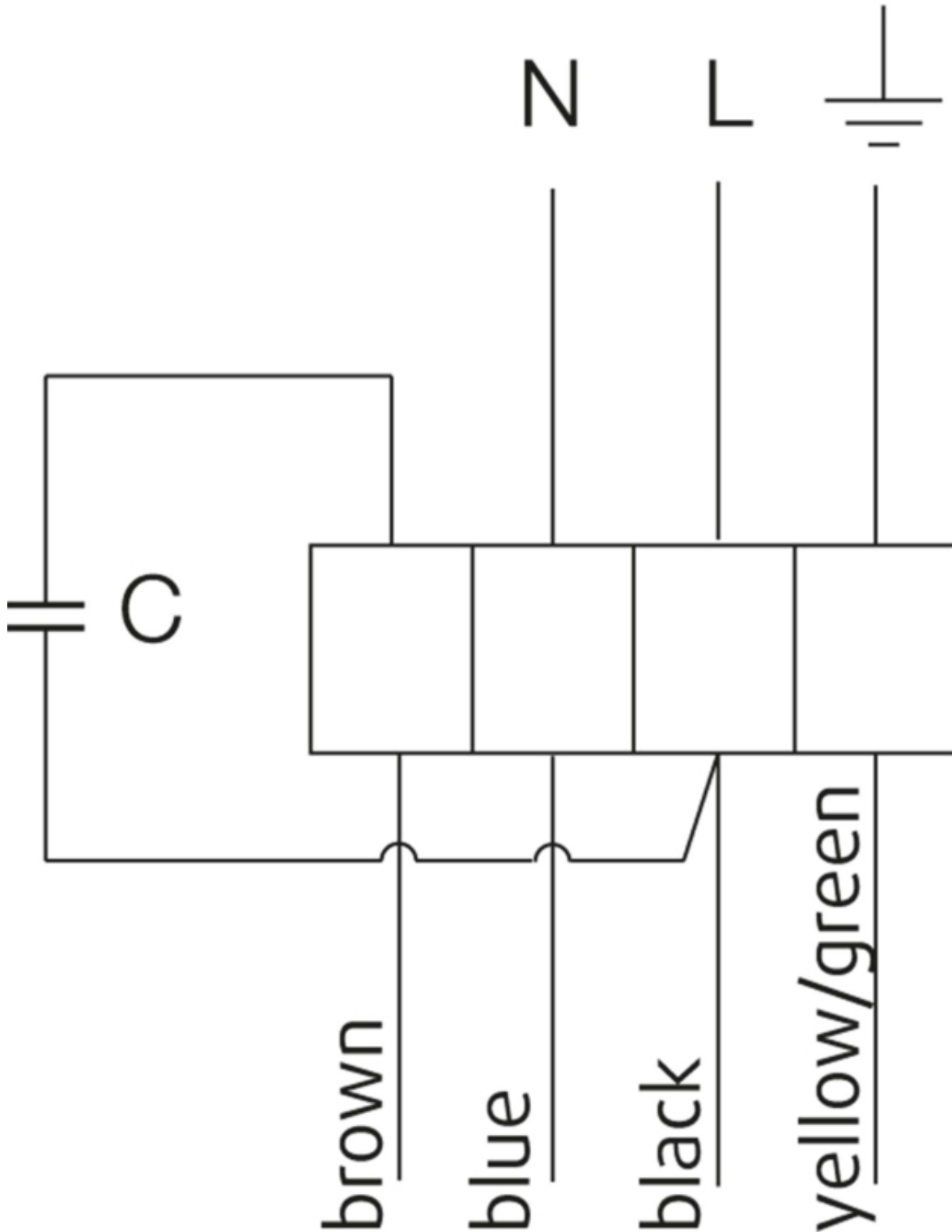
## Dimensions



KV	A	B	C	D	E	F
315 L	314	408	37,5	145	458	489

Wiring

230V 1~



- U1 = blue = blau
- U2 = black = schwarz
- Z = brown = braun
- PE = yellow/green = grün-gelb

## Accessories

### Electric accessories

[RE 1.5 Speed control \(5000\)](#)  
[REU 1.5 Speed control \(5004\)](#)  
[REE 2 Speed control \(5316\)](#)  
[REPT 6 Digital regulator \(5698\)](#)  
[RT 0-30 Room Thermostat \(5151\)](#)  
[CO2RT-R-D Transmitter \(6993\)](#)  
[Presence detector/IR24-P \(6995\)](#)  
[DTV200 \(6261\)](#)  
[STL 3 Speed controller \(84261\)](#)  
[REV-3POL/03 ON/OFF \(33978\)](#)  
[DTV500A \(96807\)](#)

### Accessories

[CBM 315-9,0 400V/3 Duct heater \(5485\)](#)  
[CWK 315-3-2,5 Duct cooler\\_circ \(30025\)](#)  
[VBC 315-2 Water heating batt \(5461\)](#)  
[LDC 315-900 Silencer \(5197\)](#)  
[LDC 315-600 Silencer \(5949\)](#)  
[FFR 315 Filter cassette \(1779\)](#)  
[FGR 315 Filter cassette \(1818\)](#)  
[FK 315 Fast clamp \(1613\)](#)  
[VKK-315 Back draft damper \(1628\)](#)  
[RSK-315 Back draft damper \(5604\)](#)  
[SG 315 Protection guard \(5611\)](#)  
[VK-40 Louvre shutter \(5643\)](#)  
[VBC 315-3 Water heating batt \(9844\)](#)

## Documentation



132780\_Fans\_Instructions\_Outside\_EU\_A002.pdf (1 006,63kB)

## Specification text

KV 315L TW Circular duct fan  
DN315, 230V50Hz, 1~, imp. backw. curved

Circular duct fan for wall mounting, easy and direct installation in ducts.  
Galvanized sheet steel housing.  
Circular connection spigot, length 25mm, acc. to EN1506:1997

Free-running, backward curved centrifugal impeller made of plastic.  
Balancing made to G 6.3, motor compl. with impeller statically and dynamically balanced in two planes acc. to DIN ISO 1940 T.1.

Voltage controllable external rotor motor, maintenance-free, the motor is placed inside the air flow for cooling. Integral thermal contacts with manual reset acc. to EN 60335-2-80, speed-controlled via a 5-step transformer or a stepless thyristor. Silent, long-life ball bearings. Terminal box (IP55) on the casing.

Mounting brackets included in delivery.

For indoor, outdoor installation as well as in wet areas.  
Air leakage class C acc. to EN 12237:2003.  
Installation in any mounting position.

PRODUCT: SYSTEMAIR  
TYPE: KV 315L TW  
Item no. 1220