

PREHEAT. KIT TOPVEX CB250 EL

Item no. 131084

Document type: **Product card**

Document date: **2019-07-02**

Generated by: **Systemair Online Catalogue**

Description

A pre-heater is available as an accessory for Systemair Topvex units with counter flow heat exchanger. The pre-heater will compensate the lack of reheater capacity during bypass de-icing.

The pre-heater is connected to the Topvex Corrigo control and will be engaged only (default*) during bypass defrosting mode, to secure supply temperature. Depending of air flow and heating coil capacity the set point for the pre-heater can be set and optimized from the Corrigo control. (Set point is determined according to lack of reheater capacity during bypass de-icing.)

*(optional function settings can be selected from Corrigo menu. In example, conditioned outdoor air temperature)

The kit contains of 1 expansion module, 1 pre-heater, 1 outdoor air sensor and 1 instruction.

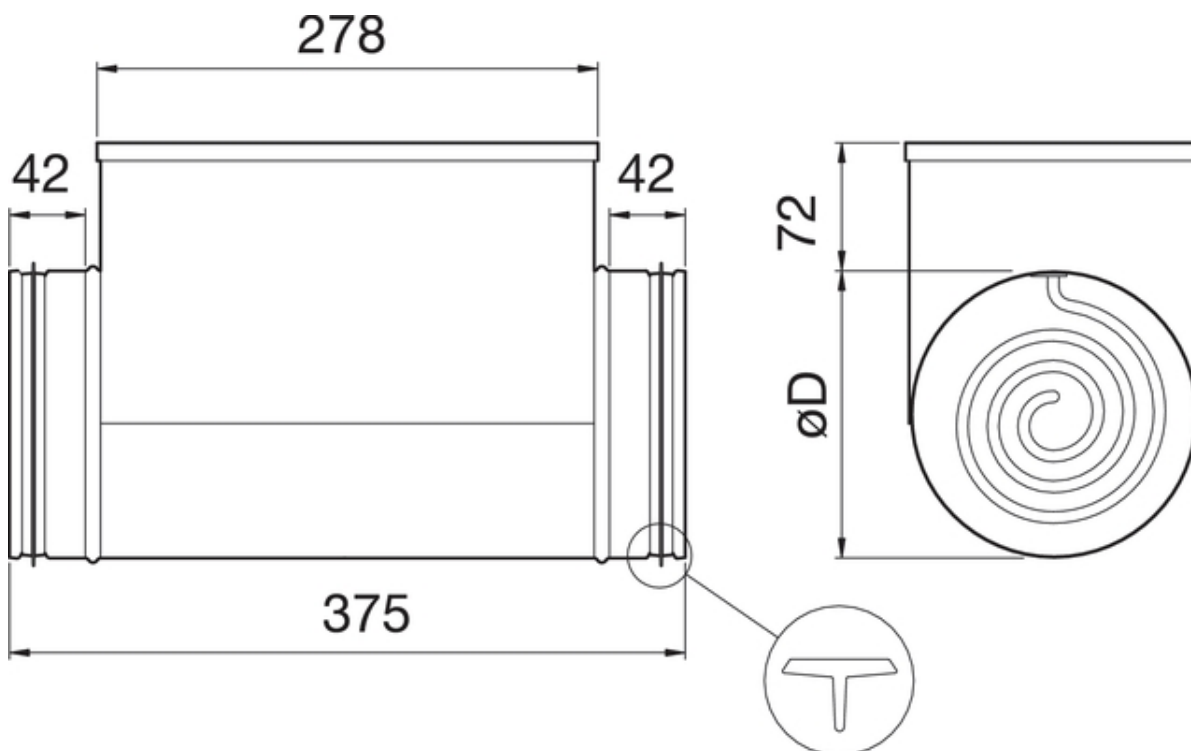


Technical parameters

Rating data	
Voltage	400 V
Phase	3 ~
Power	9 kW
Current	13 A
Weight	7 kg

Heating capacity

Dimensions



ø D = 250 mm

Accessories

Documentation



CB-MQXL 173046-01_IMO.pdf (338,52kB)



Pre_heater_installation_counter_flow_134351_EN_A003.pdf (3,24MB)