

PRF 180E4

Item no. 31564

Document type: **Product card**
 Document date: **2019-07-02**
 Generated by: **Systemair Online Catalogue**

Description

- Temperature of transported air from -15°C - $+70^{\circ}\text{C}$
- Single-flow impellers from PP with effective blade geometry
- The powder painted pedestal is manufactured of galvanised steel
- Position of casing can be easily adapted
- Perfect fitting accessories: connections, dampers, splinter protection

The PRF fans have been developed especially for the exhaust of aggressive media. This is the right fan when corrosive gases, contaminated air or other aggressive components are part of the exhaust air. Typical applications are medical facilities, the food-, electrical-or chemical industry.

The sintered casing from UV-resistant PE is absolutely waterproof and offers a variety of applications with its connectors from \varnothing 125 – 250 mm. The casing can be easily adjusted through turning it (Standard position is LG270, see picture).



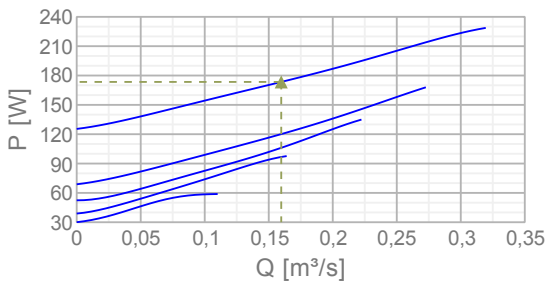
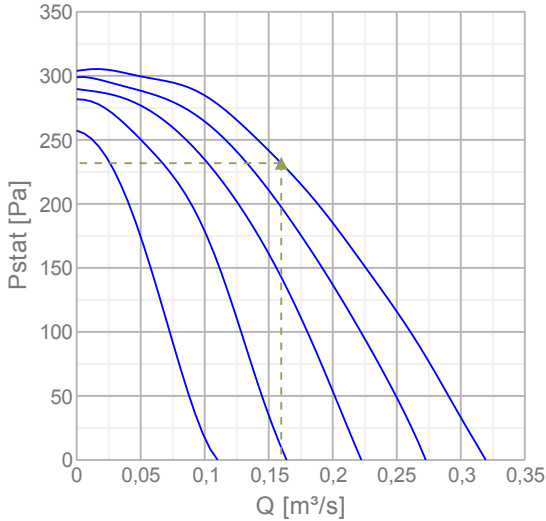
Technical parameters

Nominal data		
Voltage	230	V
Frequency	50	Hz
Phase	1	~
Input power (P1)	229	W
Current	1,01	A
Max. airflow	0,32	m ³ /s
R.p.m.	1365	r.p.m.
Capacitor	6	μF
Weight	15,7	kg
Temperature data		
Max. temperature of transported air	70	°C
Max. temperature of transported air when speed-controlled	70	°C
Sound data		
Sound pressure level at 3 m	49	dB(A)

Protection / Classification	
Insulation class	F
Enclosure class, motor	IP54
Default group	
Nominal power at shaft (P2)	140 W

Diagrams

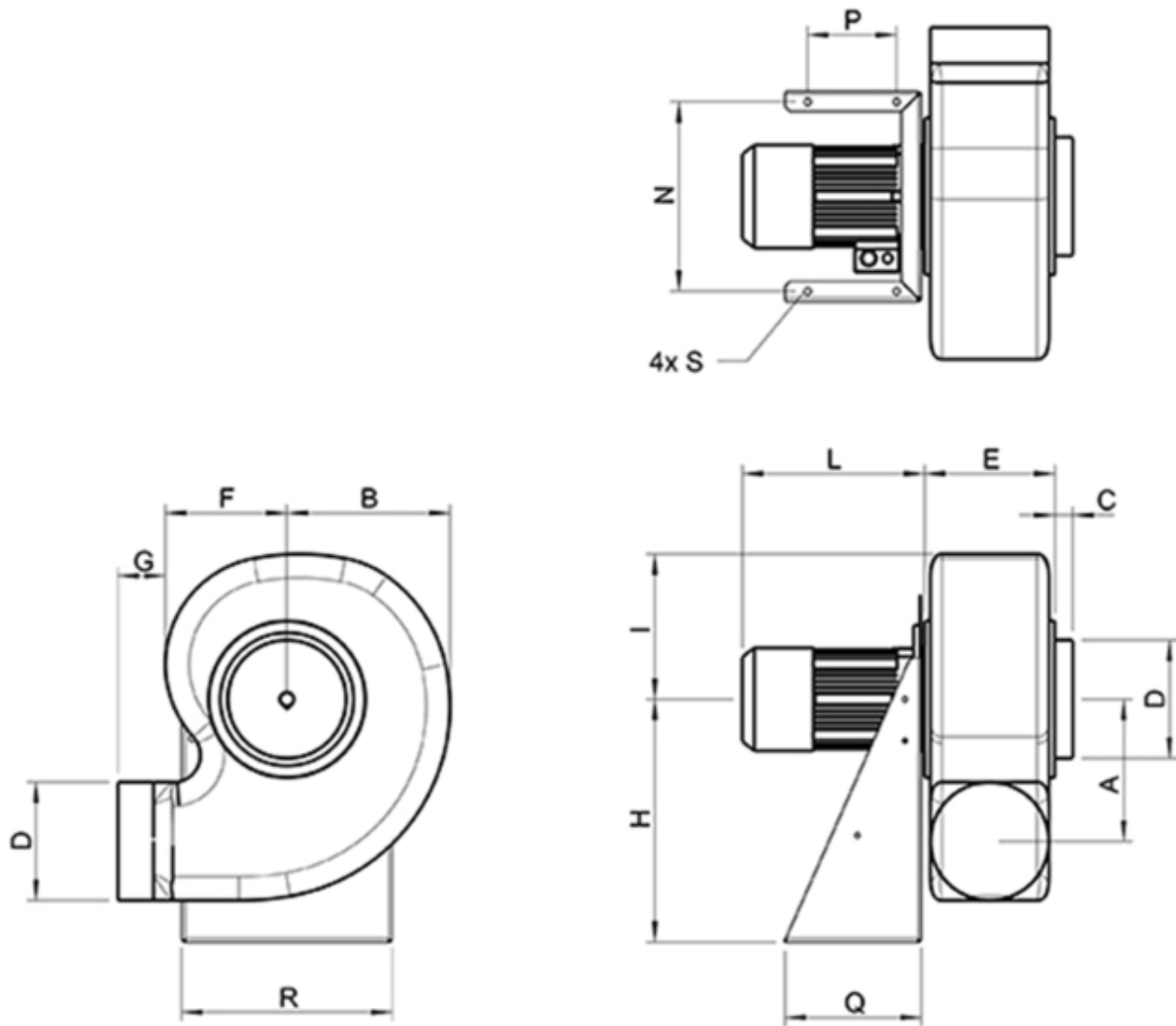
Diagrams



Max efficiency

Hydraulic data										
▲ Working air flow										0,16 m³/s
▲ Working static pressure										232 Pa
▲ Power										173 W
Speed										1424 r.p.m.
Current										0,767 A
SFP										1,09 W/(l/s)
Voltage										230 V
Sound power level		63	125	250	500	1k	2k	4k	8k	Tot
Inlet	dB(A)	52	66	61	61	58	54	48	41	69
Outlet	dB(A)	54	69	66	66	60	58	49	41	73
Surrounding	dB(A)	32	34	45	54	49	46	38	34	56

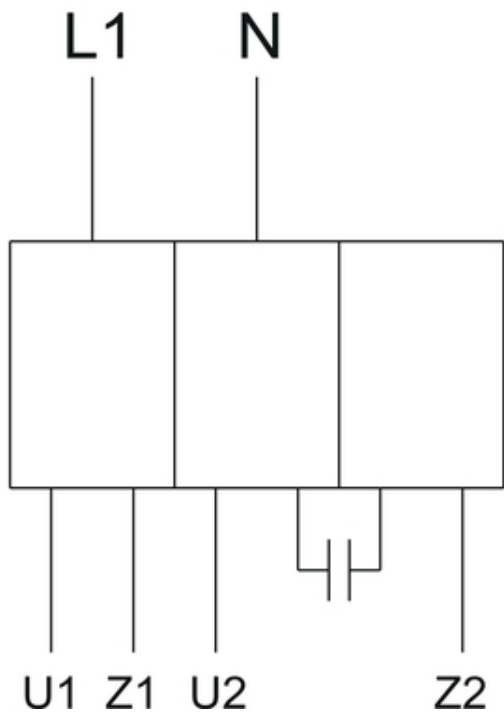
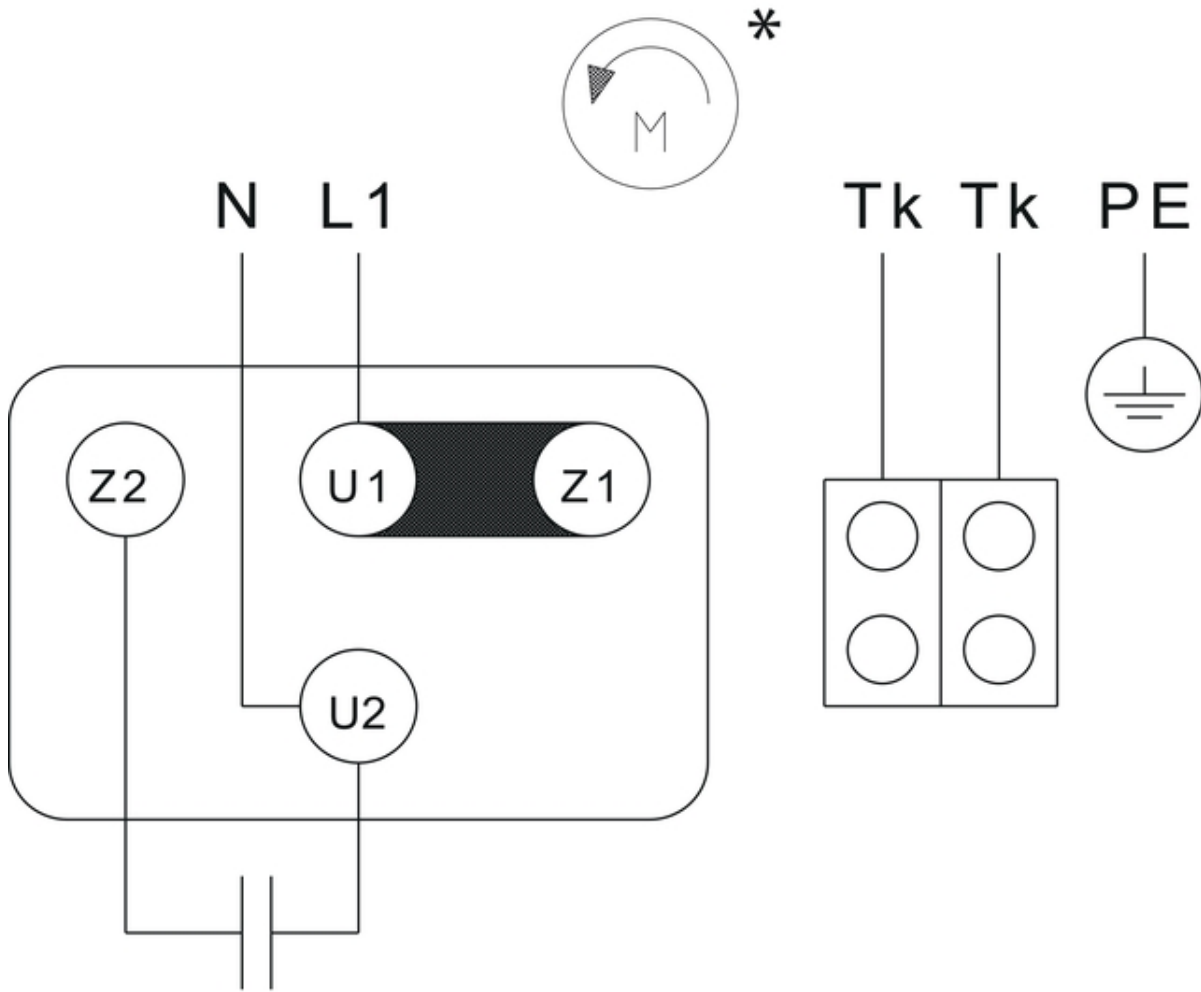
Dimensions



	A	B	C	∅D	E	F	G	H	I	L	N	P	Q	R
PRF 180E4/DV	208	274	40	180	160	204	60	350	230	190	277	120	190	316

total height = 580 mm

Wiring



Accessories

Electric accessories

[REU 1.5 Speed control \(5004\)](#)

[RTRE 1.5 Speed control \(5008\)](#)

[S-ET 10 Motor Protection \(5154\)](#)

[S-ET 10E Motor Protection \(5155\)](#)

[REV-5POL/05 ON/OFF \(33979\)](#)

[FRQS-E-6A \(37419\)](#)

[FRQ5S-E-6A \(37421\)](#)

Accessories

[ASS-P 180 flex. con. PRF \(32379\)](#)

[VKA-P 180 adjust. damper PRF \(32380\)](#)


[VKS-P 180 gravity shutter PRF \(32381\)](#)


[VP-Splinter protection PRF 180 \(305463\)](#)


[SD rubber mou. 4Pcs PRF160-250 \(32568\)](#)

[WSD PRF180 Weather roof KIT \(309458\)](#)

Documentation

 [manual_prf, prf ex_en_005.pdf \(531,63kB\)](#)

 [ec-dec_prf_171114_de, gb_003.pdf \(549,34kB\)](#)

 [compatibility with chemical agents_en_003.pdf \(64,78kB\)](#)

Specification text

PRF fans are suitable for all applications where strongly acidly gases, polluted air or other aggressive constituents witch are situated in the discharged air. Typical places of installation are medical facilities, food industry, electrical industry or chemical industry and also the metal industry. The temperature of transported air amounts from -15 degree until +70 degree. The sintered box made out of PE is absolutely water- proofed and offers with its connections of \varnothing 125-250 millimetre a broad palette of capabilities. The base frame is made up of a tough pedestal. The box can very easy be adapted trough turning (standard position at LG270). Single- flowed impellers made up of PP with high- capacity blade geometry. The actuation is carried out by a speed- controllable IEC- standard motor. For protecting the motor the fan has built in thermostat relays with completed lines to a motor protection device.

Appurtenances(has to be ordered separate):

Mounting clamps, locking caps, shatter protection, vibration absorber