

P 233 A PRESSURE SENSOR

Item no. 5140

Document type: **Product card**
 Document date: **2019-07-09**
 Generated by: **Systemair Online Catalogue**

Description

Pressure sensor and switch Differential pressure sensor for guarding filters and fans. The selected switching pressure can be set on a dial inside the unit. The P 233 A is calibrated for vertical mounting

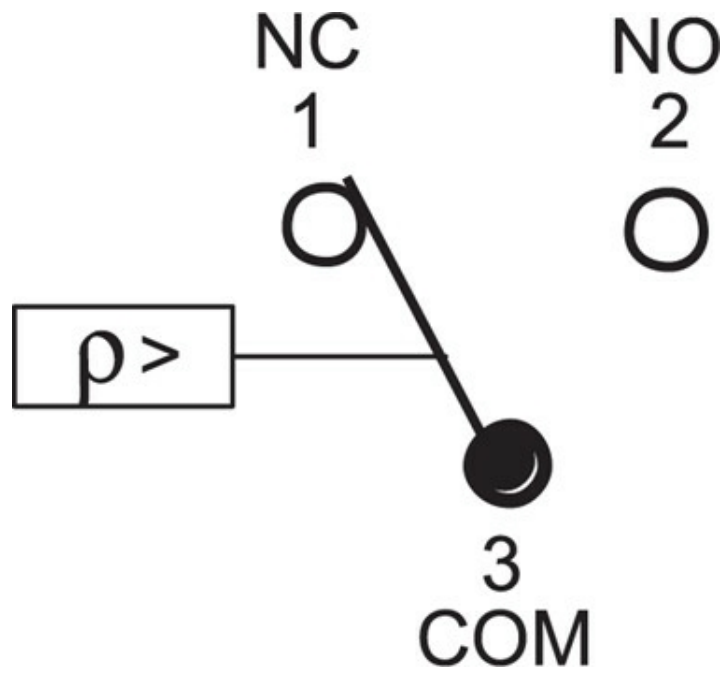


Documentation

Technical parameters

Pressure range	50-400 Pa
Media	clean air
Enclosure class	IP54
Diameter of connection	5,4 mm

Wiring



Switches from 1 to 2 when the pressure rises.

Specification text