

R-DK4 KT TRANSFORMER (302568)

Item no. 6051

Document type: **Product card**
 Document date: **2019-06-25**
 Generated by: **Systemair Online Catalogue**

Description

Manual five-step transformer (with motor protection) for RVK 315Y4, KTEX, DKEX and DVEX fans.

A three-phase transformer which controls the fan speed by altering the supply voltage in five fixed steps. The steps are adjusted manually, using the control knob on the front of the unit. An integral motor protection device is included which cuts the supply voltage to the fan if the thermistor motor protection triggers. The unit is reset by turning the knob to "0" for 1 minute. Input terminals for room thermostat RT cut supply voltage to the fan when the circuit is broken.

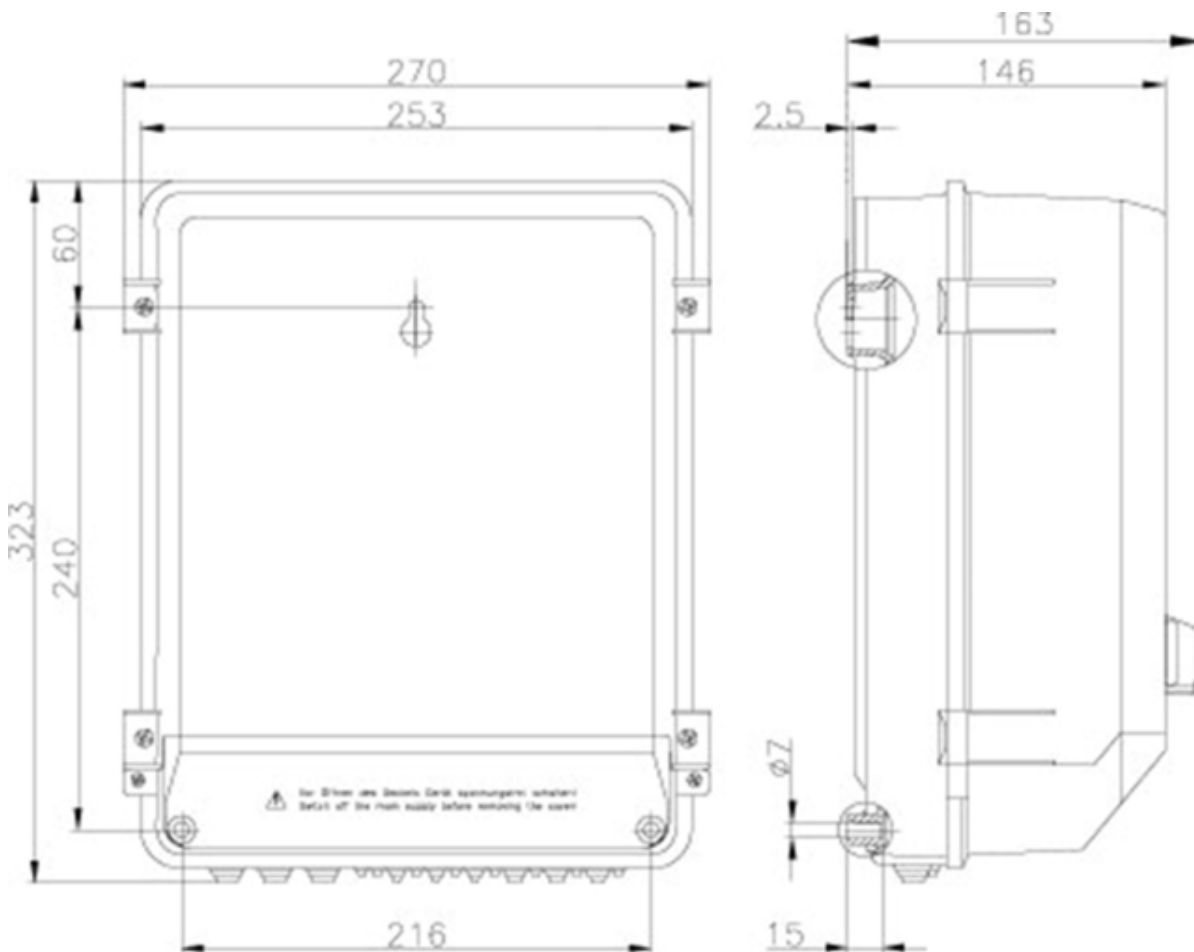
NB. The transformer can not be placed in the EX zon.



Technical parameters

| Default group | | |
|------------------------------------|-------|----|
| Voltage | 400 | V |
| Phase | 3 | ~ |
| Frequency | 50/60 | Hz |
| Current | 4 | A |
| Enclosure class | IP21 | |
| Permitted max. ambient temperature | 40 | °C |
| Dimension | | |
| Weight | 11,2 | kg |


Dimensions




| W x H x D |
|------------------|
| 270 323 163 [mm] |

Accessories

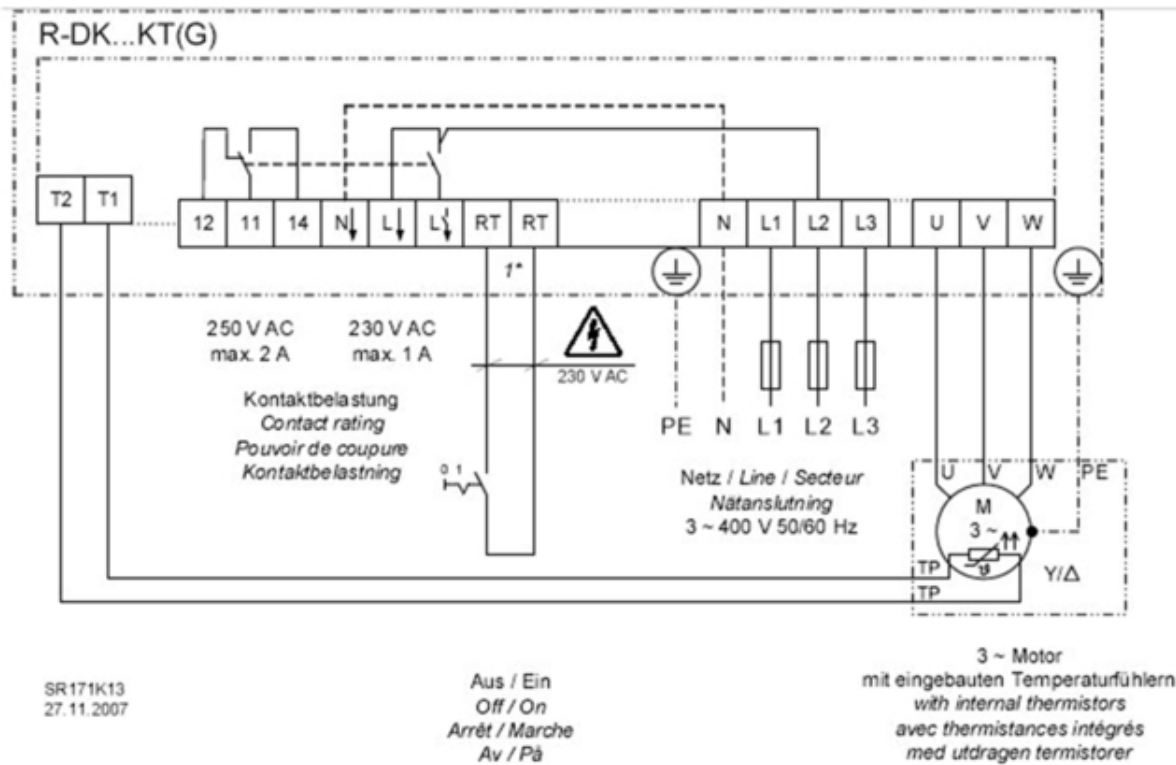
Documentation

 R-DK4KT_IMO_GB_DE_FR_SE.pdf (144,21kB)

 EU Declaration of Conformity ZA120_GB.pdf (166,93kB)

 Data_sheet_3~_R-DKKTG[1].pdf (78,68kB)

Wiring



SR171K13
27.11.2007

1* Wenn Funktion nicht benötigt wird, Klemmen brücken
If function is not needed, terminals must be bridged

1* Si la fonction n'est pas utile, les bornes doivent être reliées
Om funktionen inte används, måste pöintarna byglas

Specification text