

RBK 50/21 400V/3 DUCT HEATER

Item no. 5447

Document type: **Product card**
 Document date: **2019-06-25**
 Generated by: **Systemair Online Catalogue**

Description

Duct heater for square ducts. Casing of alu-zink coated sheet metal with heating elements in stainless steel. The heater has built-in overheating protection with manual reset. Heat control by means of a controller TTC together with a TT-Slave (TT-S1) or TTC together with a TT-M Slave. Min.airflow is based on a min.air velocity of 1,5 m/s. The duct heater is dimensioned for a maximum outgoing temp. of 40°C.



Technical parameters

Power	21	kW
Voltage	400	V
Phase	3	~
Current	30	A
Min. airflow	0,253	m³/s

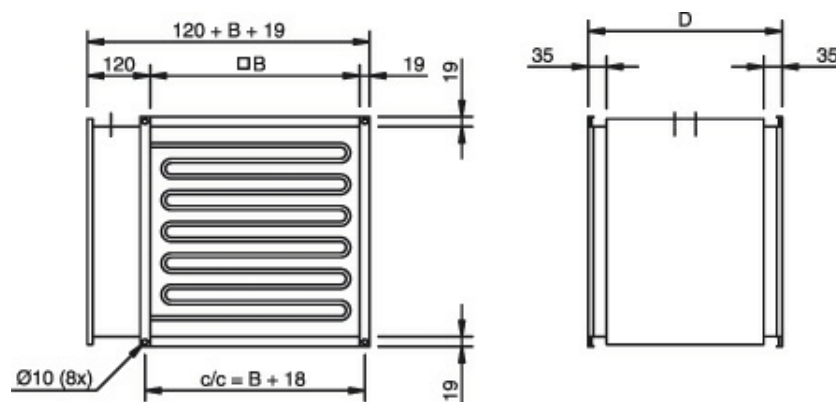
Accessories

Electric accessories

- [TG-K330 Duct Sensor 0-30°C \(5160\)](#)
- [TTC-2000 Temp. control 25A \(5171\)](#)
- [TT-S1\(TT-SLAV\) exp. module \(5173\)](#)
- [DTV500A \(96807\)](#)

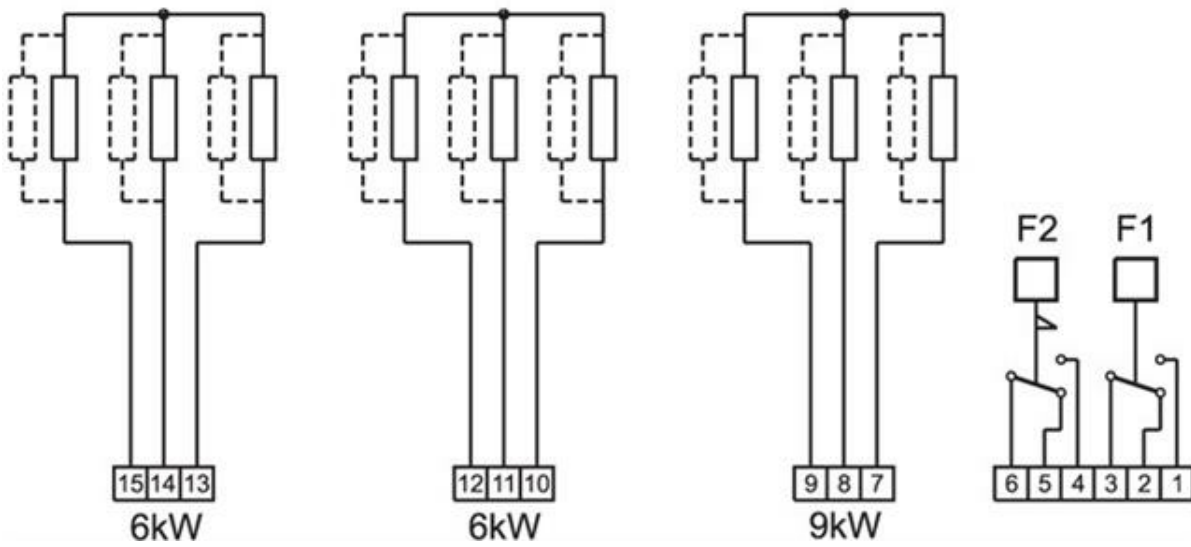
Dimensions

	□ B	D
RBK 45	450	370
RBK 50	500	370
RBK 55	550	370
RBK 65	660	370



Wiring

RBK-2 (21 kW, 400V 3~)



Documentation

 RB RBM RBK IMO.pdf (102,09kB)

 Conformity decl. RB RBM RBK 021024.pdf (32,12kB)

Heating capacity

Specification text