

RBK 66/39 400V/3 DUCT HEATER

Item no. 5449

Document type: **Product card**
 Document date: **2019-06-25**
 Generated by: **Systemair Online Catalogue**

Description

Duct heater for square ducts. Casing of alu-zinc coated sheet metal with heating elements in stainless steel. The heater has built-in overheating protection with manual reset. Heat control by means of a controller TTC together with a TT-Slave (TT-S1) or TTC together with a TT-M Slave. Min.airflow is based on a min.air velocity of 1,5 m/s. The duct heater is dimensioned for a maximum outgoing temp. of 40°C.



Technical parameters

Power	39	kW
Voltage	400	V
Phase	3	~
Current	56	A
Min. airflow	0,458	m³/s

Accessories

Electric accessories

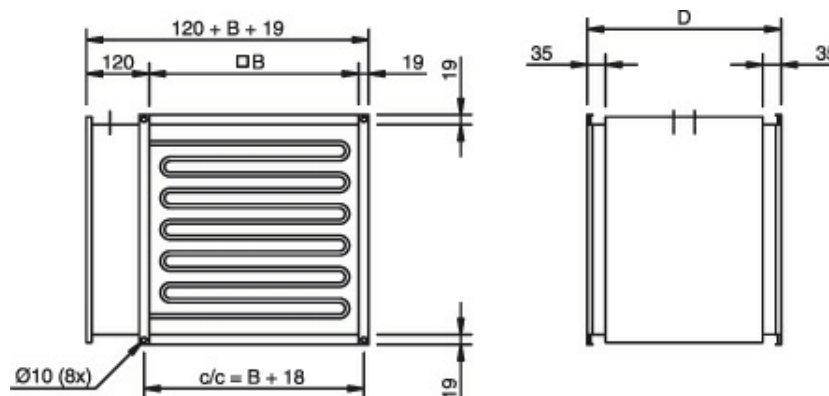
[TG-K330 Duct Sensor 0-30°C \(5160\)](#)

[TTC-2000 Temp. control 25A \(5171\)](#)

[DTV500A \(96807\)](#)

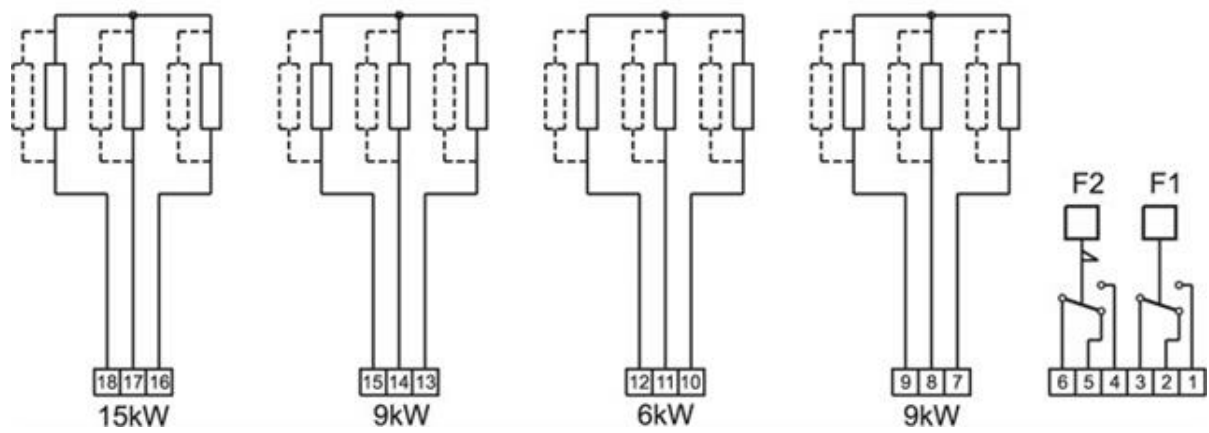
Dimensions

	□ B	D
RBK 45	450	370
RBK 50	500	370
RBK 55	550	370
RBK 65	660	370




Wiring

RBK-4 (39 kW 400V 3~)



Documentation

 [RB RBM RBK IMO.pdf \(102,09kB\)](#)

 [Conformity decl. RB RBM RBK 021024.pdf \(32,12kB\)](#)

Heating capacity

Specification text