

RSK-560 BACK DRAFT DMP.

Item no. 9769

Document type: **Product card**
 Document date: **2019-06-24**
 Generated by: **Systemair Online Catalogue**

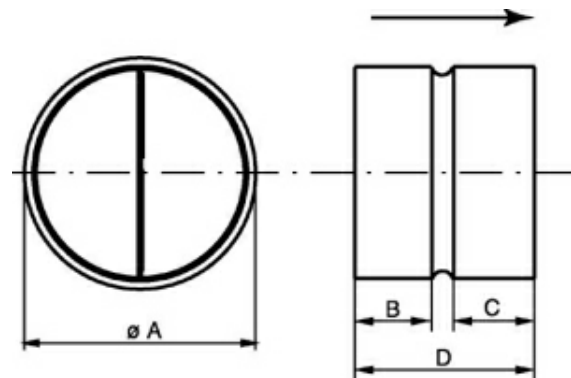
Description

Back draft damper for circular ducts, manufactured from galvanised sheet steel. The two blades are spring-loaded, which means that the damper can also be mounted vertically.




Dimensions

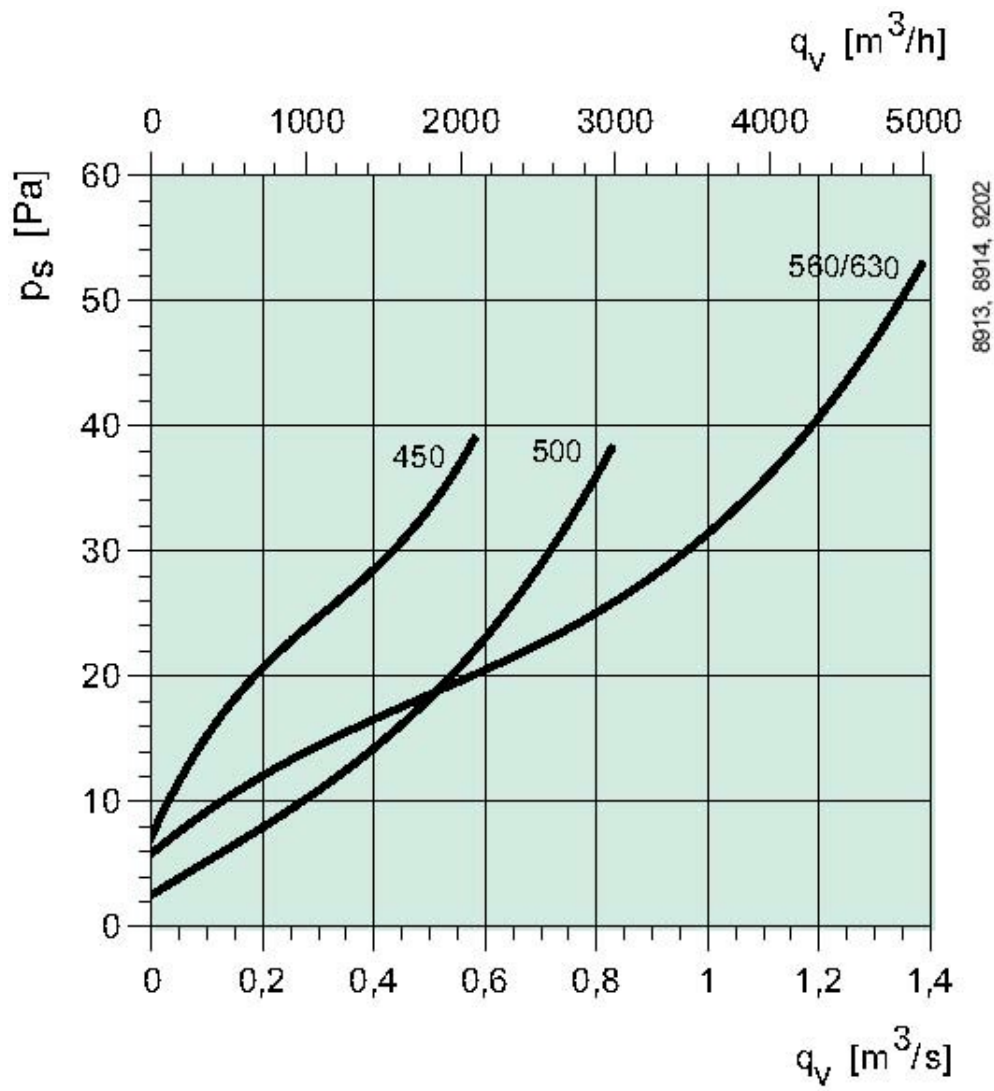
	ØA	D	B	C
RSK 450	450	247	75	75
RSK 500	500	247	75	75
RSK 560	560	247	75	75
RSK 630	630	247	75	75



Documentation

 [EC Declaration of conformity RSK EN-DE.pdf \(72,01kB\)](#)

Diagram



Specification text