

SPI-315 C IRIS DAMPER

Item no. 6757

Document type: **Product card**
 Document date: **2019-06-20**
 Generated by: **Systemair Online Catalogue**

Description

Technical details can be found [here](#)

The SPI is an iris damper for measuring and adjusting the air flow. The SPI has the following specifications: low noise level, centrally-formed air flow and fixed test points for precise measurements. The damper also has an adjustment aperture which can be opened completely, which means there is no need for an access door for cleaning. Available in sizes \varnothing 80-800mm.

The damper is manufactured from galvanised sheet steel and is fitted with a rubber seal tested for air-tightness. Permitted ambient temperature is 70 °C.

This device can be used for exhaust air.

Mounting

The SPI adjustment damper must be installed in accordance with the distances required to minimise air-flow deviation. Reducing or enlarging the duct to the next duct size does not require any specified distances for minimising deviation. The SPI enables the taking of precise air-flow measurements at all points including points close to duct deviations such as T junctions and bends, and points in front of other supply-air devices.

Protective distance

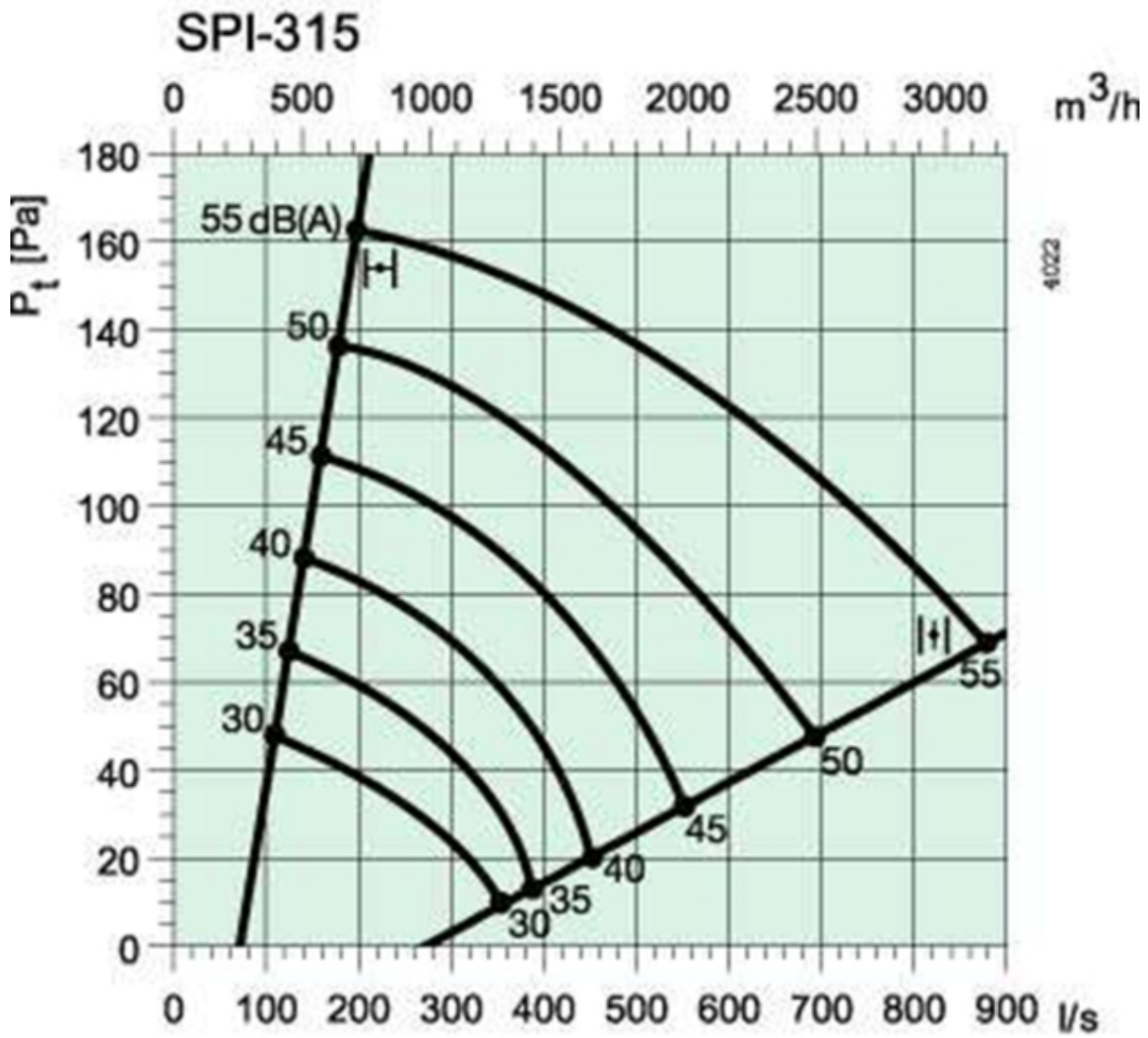
- before bends - 1 x D
- after " - 1 x D
- before T-pipes - 3 x D
- after " - 1 x D
- before supply-air devices - 3 x D



Technical parameters

| | |
|---------------------|--------|
| Air tightness class | C |
| Weight | 3,7 kg |

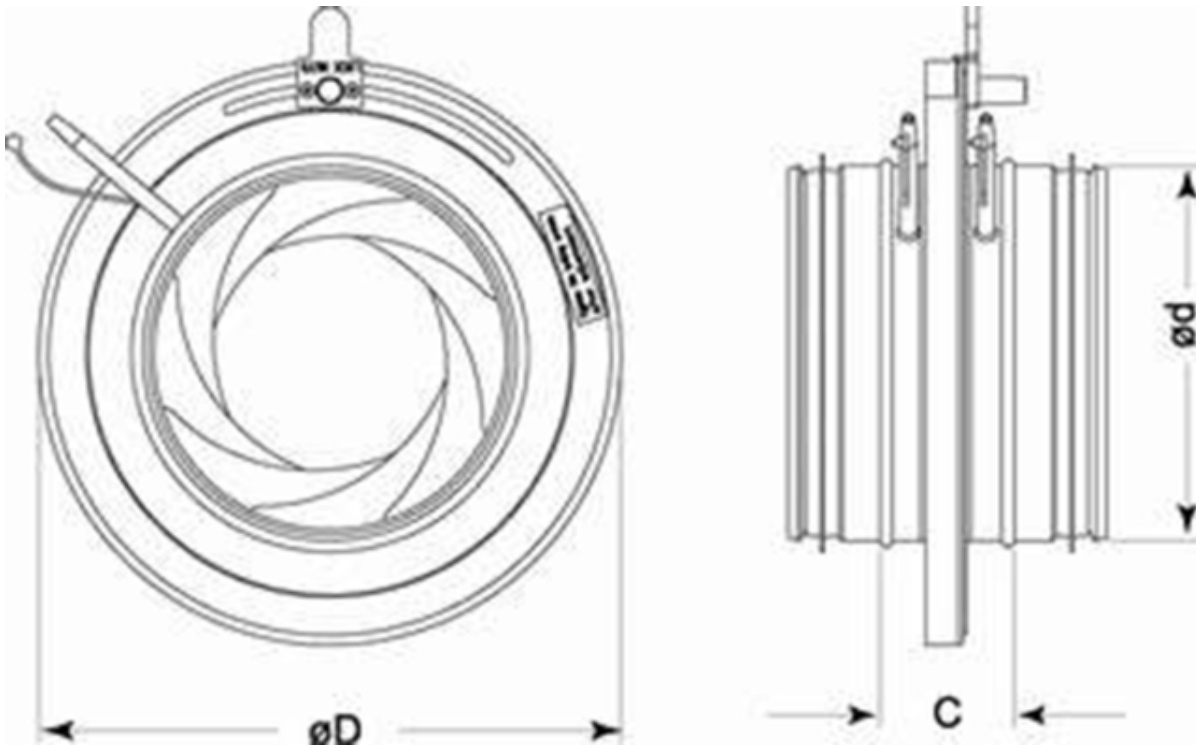
Diagram



Mid-frequency band, Hz

| | 63 | 125 | 250 | 500 | 1K | 2K | 4K |
|-----------|----|-----|-----|-----|-----|-----|-----|
| SPI 080 | 19 | 7 | 1 | -6 | -11 | -16 | -23 |
| SPI 100 | 11 | 10 | 3 | -2 | -8 | -16 | -24 |
| SPI 125 | 7 | 8 | 2 | -4 | -11 | -19 | -27 |
| SPI 150 | 8 | 7 | 1 | -5 | -11 | -18 | -27 |
| SPI 160 | 9 | 6 | 1 | -5 | -11 | -18 | -27 |
| SPI 200 | 9 | 5 | 1 | -5 | -12 | -17 | -24 |
| SPI 250 | 6 | 1 | -4 | -3 | -12 | -17 | -24 |
| SPI 300 | 3 | 1 | -4 | -4 | -10 | -15 | -24 |
| SPI 315 | 3 | 1 | -4 | -4 | -9 | -14 | -23 |
| SPI 400 | 3 | 1 | -4 | -4 | -9 | -13 | -19 |
| SPI 500 | 14 | 8 | 2 | -3 | -11 | -17 | -26 |
| SPI 630 | 12 | 6 | 1 | -3 | -8 | -11 | -14 |
| Tolérance | ±6 | ±5 | ±2 | ±2 | ±2 | ±2 | ±3 |


Dimensions




| | ød | C | øD |
|---------|-----|----|------|
| SPI 80 | 79 | 58 | 134 |
| SPI 100 | 99 | 48 | 163 |
| SPI 125 | 124 | 50 | 210 |
| SPI 150 | 149 | 50 | 230 |
| SPI 160 | 159 | 52 | 230 |
| SPI 200 | 199 | 58 | 285 |
| SPI 250 | 249 | 90 | 333 |
| SPI 300 | 299 | 56 | 405 |
| SPI 315 | 314 | 90 | 406 |
| SPI 400 | 399 | 90 | 560 |
| SPI 500 | 499 | 90 | 644 |
| SPI 630 | 629 | 90 | 811 |
| SPI 800 | 798 | 70 | 1015 |


Accessories

Documentation

 SPI_205236_IMO.pdf (424,94kB)

 SPI 315.dxf (17,26kB)

 BVD Iris damper SPI ID7.pdf (751,37kB)

 SPI_K-factor_diagram_20181002.pdf (478,56kB)