

SPLIT-AHU KIT 8245

Item no. 470154

Document type: **Product card**
 Document date: **2019-06-20**
 Generated by: **Systemair Online Catalogue**

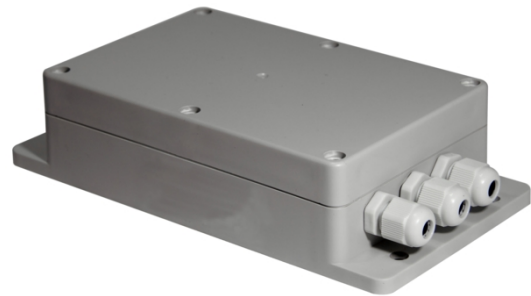
Description

The SPLIT AHU Kit 8243 & SPLIT AHU Kit 8245 Control Module enables to control Systemair Inverter Split Outdoor units SYSPLIT OUTDOOR 18/24/30/36/48/60 EVO HP Q.

It offers the possibility to control the capacity of the outdoor unit trough an external 0-10V signal as well as the selection of the operating mode heating or cooling.

SPLIT AHU Kit 8243 (470153) without temperature sensor

SPLIT AHU Kit 8245 (470154) with temperature sensor for antifreeze protection



TECHNICAL SPECIFICATIONS:

Cable gland: 3 pcs PG7 (3-6,5mm)

Digital input: 2 pcs (cooling / heating)

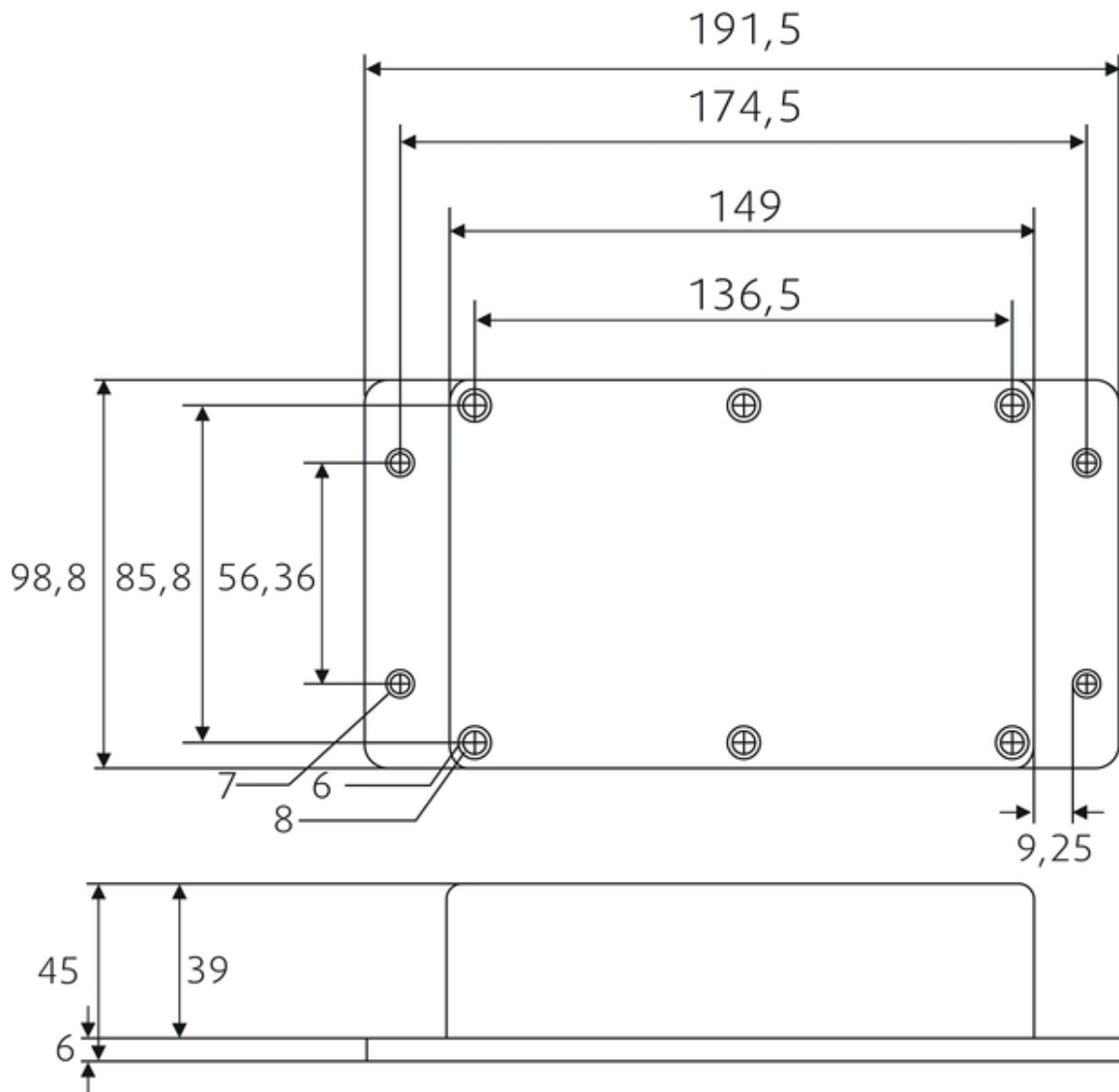
Analog input: 1 pcs (0-10V for capacity control)

Digital output: 2 pcs (alarm / defrost) 250VAC (5A), 30VDC (5A)

Technical parameters


Default group		
Voltage	230	V
Voltage range	208-240	V
Frequency	50	Hz
Phase	1	~
Control signal	0-10V	
Permitted max. ambient temperature	-25...+45	°C
Permitted range for ambient humidity	40-90	%RH
Enclosure class	IP54	
Dimension		
Width	100	mm
Depth	191	mm
Height	45	mm
Weight	0,4	kg

Dimensions



Accessories

Documentation

 IOM_SPLIT-AHU_Kit_8243-8245_EN.pdf (960,07kB)

 ec-dec_controller Split AHU Kit_170523_de,en_001.pdf (545,73kB)