

# SPM-250 IRIS DAMPER WITH BULB

Item no. 6254

Document type: **Product card**  
 Document date: **2019-06-20**  
 Generated by: **Systemair Online Catalogue**

## Description

Systemair SPM iris damper with more choking ability.

### Function

The SPM is an iris damper for measuring and adjusting the air flow, with more choking ability than the SPI. The SPM has the following specifications: low noise level, centrally formed air flow and fixed test points for precise measurements. Accessorie, Access door RLL, is recommended for use with SPM. Available in sizes  $\varnothing$  160-400, but not for size 300.

### Design

The damper is manufactured from galvanised sheet steel and is fitted with an air-tight rubber seal. Size  $\varnothing$  160-400.

### How to use for exhaust air

This device can be used for exhaust air.

### Mounting

The SPM adjustment damper must be installed in accordance with the distances required to minimise air-flow deviation. Reducing or enlarging the duct to the next duct size does not require any specified distances for minimising deviation. The SPM enables the taking of precise air-flow measurements at all points including points close to duct deviations such as T junctions and bends, and points in front of other supply-air devices.

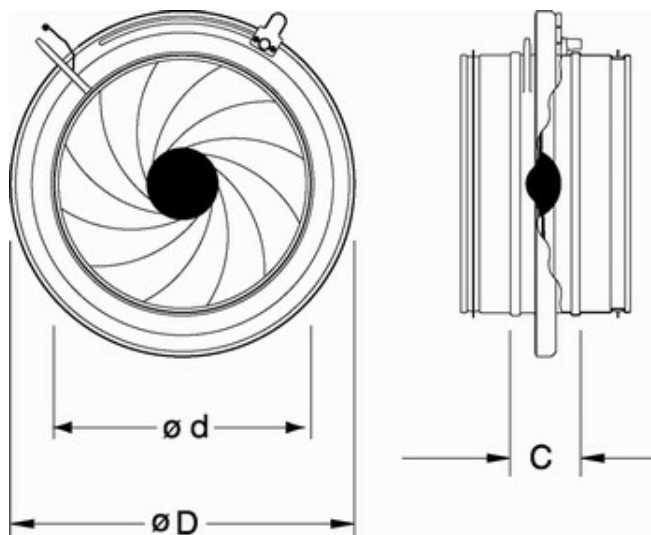
### Protective distance

- before bends 1 x D
- after " 1 x D
- before T-pipes 3 x D
- after " 1 x D
- before supply-air devices 3 x D

## Accessories

### Dimensions

	$\varnothing d$	C	$\varnothing D$
SPM 160	159	60	230
SPM 200	199	62	285
SPM 250	249	62	333
SPM 300	299	63	406
SPM 315	314	63	406
SPM 400	399	70	560



## Documentation

## Diagram

Mid-frequency band, Hz

	63	125	250	500	1K	2K	4K
SPM 160	9	6	1	-5	-11	-18	-27
SPM 200	9	5	1	-5	-12	-17	-24
SPM 250	6	1	-4	-3	-12	-17	-24
SPM 315	3	1	-4	-4	-9	-14	-23
SPM 400	3	1	-4	-4	-9	-13	-19
Tolerance	±6	±5	±2	±2	±2	±2	±3

