

# SPM-315 IRIS DAMPER WITH BULB

Item no. 6255

Document type: **Product card**  
 Document date: **2019-06-20**  
 Generated by: **Systemair Online Catalogue**

## Description

Systemair SPM iris damper with more choking ability.

### Function

The SPM is an iris damper for measuring and adjusting the air flow, with more choking ability than the SPI. The SPM has the following specifications: low noise level, centrally formed air flow and fixed test points for precise measurements. Accessorie, Access door RLL, is recommended for use with SPM. Available in sizes  $\varnothing$  160-400, but not for size 300.

### Design

The damper is manufactured from galvanised sheet steel and is fitted with an air-tight rubber seal. Size  $\varnothing$  160-400.

### How to use for exhaust air

This device can be used for exhaust air.

### Mounting

The SPM adjustment damper must be installed in accordance with the distances required to minimise air-flow deviation. Reducing or enlarging the duct to the next duct size does not require any specified distances for minimising deviation. The SPM enables the taking of precise air-flow measurements at all points including points close to duct deviations such as T junctions and bends, and points in front of other supply-air devices.

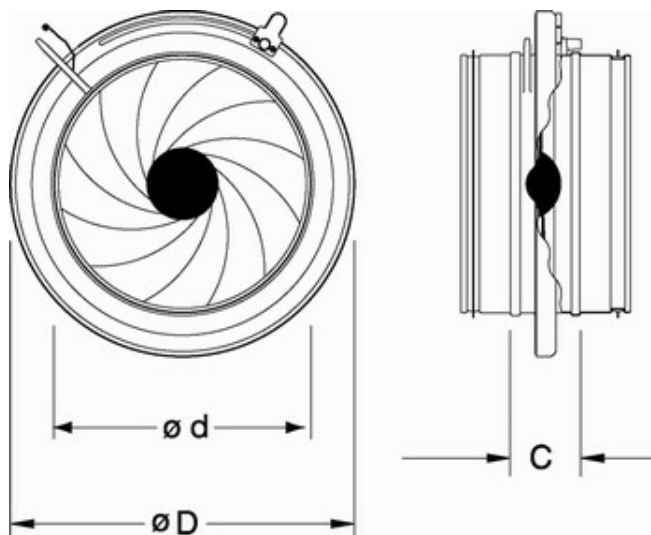
### Protective distance

- before bends 1 x D
- after " 1 x D
- before T-pipes 3 x D
- after " 1 x D
- before supply-air devices 3 x D

## Accessories

### Dimensions

|         | $\varnothing d$ | C  | $\varnothing D$ |
|---------|-----------------|----|-----------------|
| SPM 160 | 159             | 60 | 230             |
| SPM 200 | 199             | 62 | 285             |
| SPM 250 | 249             | 62 | 333             |
| SPM 300 | 299             | 63 | 406             |
| SPM 315 | 314             | 63 | 406             |
| SPM 400 | 399             | 70 | 560             |



## Documentation



## Diagram

Mid-frequency band, Hz

|           | 63 | 125 | 250 | 500 | 1K  | 2K  | 4K  |
|-----------|----|-----|-----|-----|-----|-----|-----|
| SPM 160   | 9  | 6   | 1   | -5  | -11 | -18 | -27 |
| SPM 200   | 9  | 5   | 1   | -5  | -12 | -17 | -24 |
| SPM 250   | 6  | 1   | -4  | -3  | -12 | -17 | -24 |
| SPM 315   | 3  | 1   | -4  | -4  | -9  | -14 | -23 |
| SPM 400   | 3  | 1   | -4  | -4  | -9  | -13 | -19 |
| Tolerance | ±6 | ±5  | ±2  | ±2  | ±2  | ±2  | ±3  |

