

# TFSK 125 XL SILEO GREY

Item no. 75085

Version: 50 Hz

Document type: **Product card**  
 Document date: **2019-06-05**  
 Generated by: **Systemair Online Catalogue**



## Description

- Swing-out
- Speed-controllable
- Easy to install
- Reliable

The TFSK range consists of roof fans with square connection and are fitted with a single-inlet centrifugal fan with backward-curved blades and external rotor motors. The motors can be tilted outwards to facilitate inspection and service. They have integral on/off switch and are supplied with 1 m cable and are easy connected to our standard roof curbs TG, FDS and SSD.



These fans are suitable for exhaust-air ventilation systems, e.g. single and multiple dwellings, offices and day nurseries. To protect the motors from overheating, all motors have an integral thermal contact with automatic reset. The fans are manufactured in powder-coated, galvanized sheet steel and are delivered in the standard colours of black or brick red.

## Technical parameters

Nominal data		
Voltage	230	V
Frequency	50	Hz
Phase	1	~
Input power (P1)	55,3	W
Current	0,271	A
Max. airflow	0,1	m³/s
R.p.m.	2496	r.p.m.
Capacitor	1,5	µF
Weight	3,3	kg
Temperature data		
Max. temperature of transported air	45,6	°C
Max. temperature of transported air when speed-controlled	45,6	°C
Sound data		
Sound pressure level at 10 m	32,4	dB(A)
Protection / Classification		
Insulation class	F	
Enclosure class, motor	IP44	

ErP

ErP ready

ErP 2016/ErP 2018

Energy class, basic unit

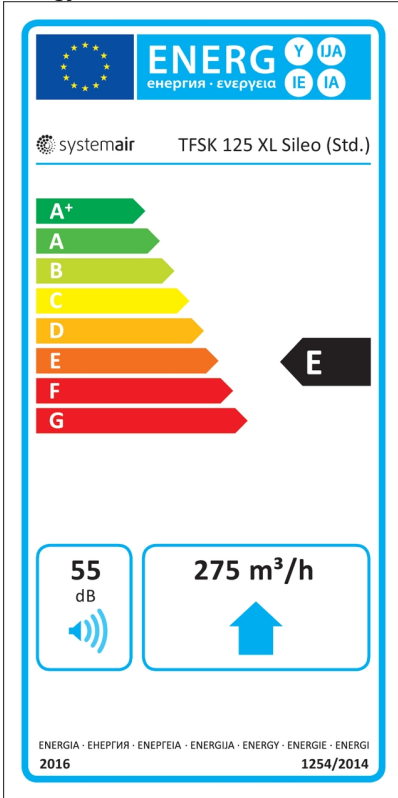
E

Energy class, basic unit option

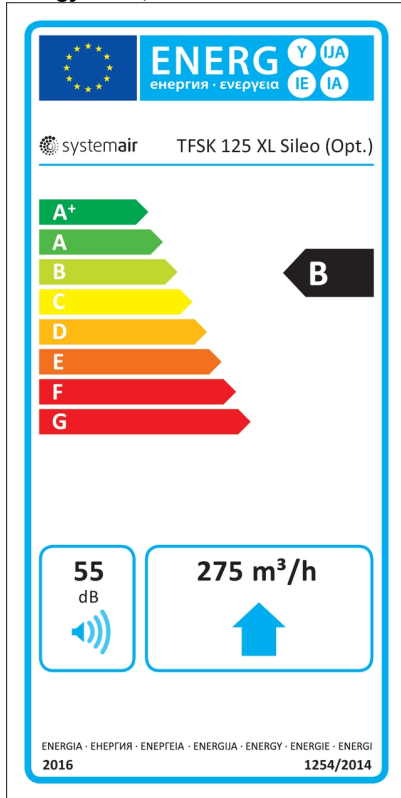
B

Energy class label

Energy class, basic unit

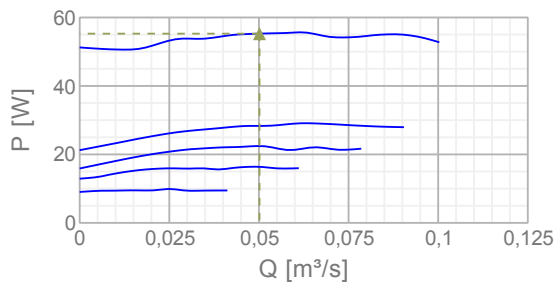
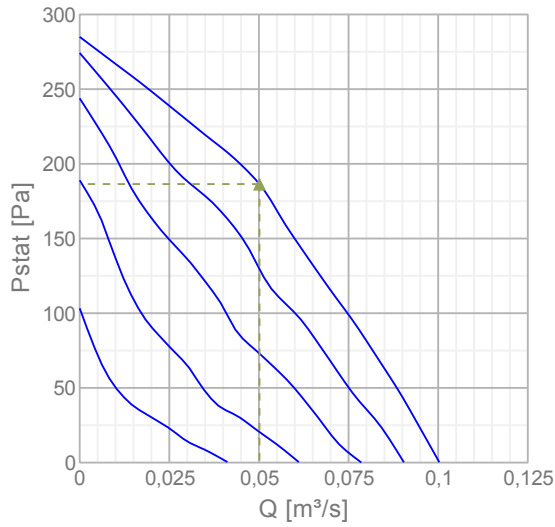


**Energy class, unit with local demand control**



**Diagrams**

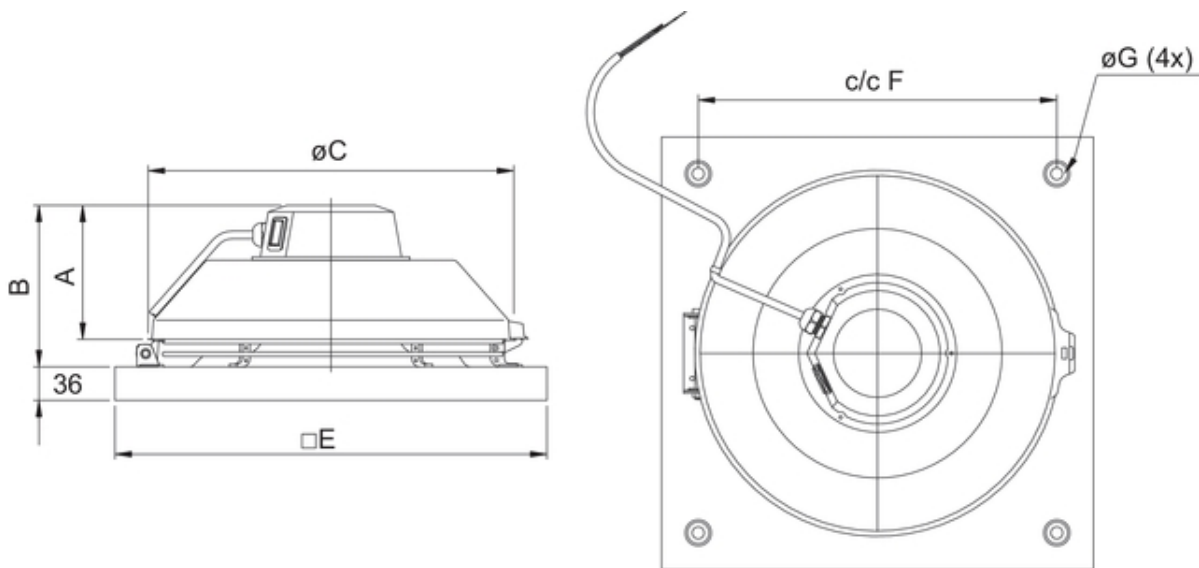
**Diagrams**



## Max efficiency

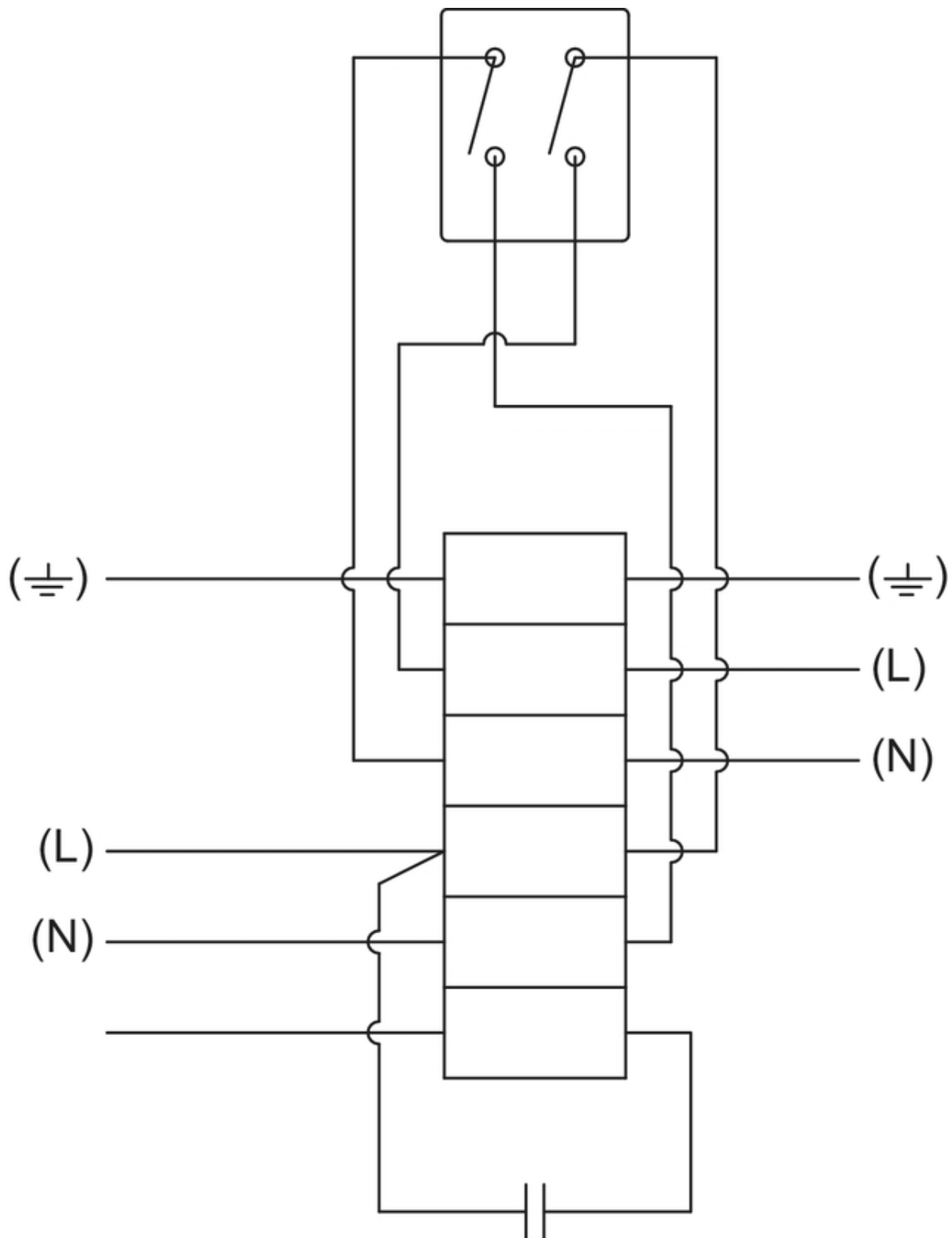
Hydraulic data										
▲ Working air flow										0,0502 m <sup>3</sup> /s
▲ Working static pressure										186 Pa
▲ Power										55,3 W
Speed										2498 r.p.m.
Current										0,271 A
SFP										1,1 W/(l/s)
Voltage										230 V
Sound power level		63	125	250	500	1k	2k	4k	8k	Tot
Inlet	dB(A)	46	54	55	56	57	54	52	46	63
Outlet	dB(A)	26	38	47	57	59	56	56	47	63

## Dimensions



TFSK	A	B	∅C	∅E	c/c F	∅G
125M/XL	119	144	284	321	245	9

## Wiring



## Accessories


### Electric accessories


[RE 1.5 Speed control \(5000\)](#)  
[REU 1.5 Speed control \(5004\)](#)  
[REE 1 Speed control \(5314\)](#)  
[REPT 6 Digital regulator \(5698\)](#)  
[RT 0-30 Room Thermostat \(5151\)](#)  
[CO2RT-R-D Transmitter \(6993\)](#)  
[Presence detector/IR24-P \(6995\)](#)  
[F251-16-60 Cookerhood transf \(5931\)](#)  
[DTV200 \(6261\)](#)  
[MicroREX D21 Plus Time Switch \(17822\)](#)  
[DTV500A \(96807\)](#)

### Accessories

[LDC 160-600 Silencer \(5192\)](#)  
[LDC 160-900 Silencer \(5193\)](#)  
[TG 300-800 Roof curb \(5924\)](#)  
[RSK-160 Back draft damper \(5601\)](#)  
[BTG 300 Back Draft Damper \(6502\)](#)  
[VKS 190/225 Back draft damper \(9539\)](#)  
[FDS 190/225 flat roof socket \(9548\)](#)  
[SSD 190/225 socket silencer \(9560\)](#)  
[ASF 190/225 inlet flange DVS \(9567\)](#)  
[ASS 190/225 flex. inl.con. DVS \(9573\)](#)  
[ASK 190/225 inflow box SSD \(300902\)](#)  
[TDA DV 190/225 Adapter DVK \(309416\)](#)  
[FDS-L 190/225 flat roof socket \(95278\)](#)

## Documentation

 [202341\\_Fans\\_Instructions\\_CE\\_A010.pdf \(1,83MB\)](#)

 [Certificate S-mark TFSK\\_R 1309486\\_EN.pdf \(1,77MB\)](#)