

# TFSK 315 L BLACK\*\*

Item no. 19534

Document type: **Product card**  
 Document date: **2019-06-05**  
 Generated by: **Systemair Online Catalogue**

## Description

- Swing-out
- Speed-controllable
- Easy to install
- Reliable

The TFSK range consists of roof fans with square connection and are fitted with a single-inlet centrifugal fan with backward-curved blades and external rotor motors. The motors can be tilted outwards to facilitate inspection and service. They have integral on/off switch and are supplied with 1 m cable and are easy connected to our standard roof curbs TG, FDS and SSD.

These fans are suitable for exhaust-air ventilation systems, e.g. single and multiple dwellings, offices and day nurseries. To protect the motors from overheating, all motors have an integral thermal contact with automatic reset. The fans are manufactured in powder-coated, galvanized sheet steel and are delivered in the standard colours of black or brick red.

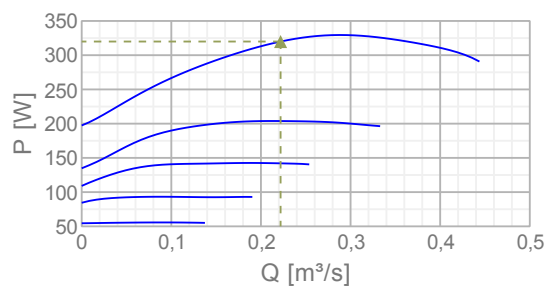
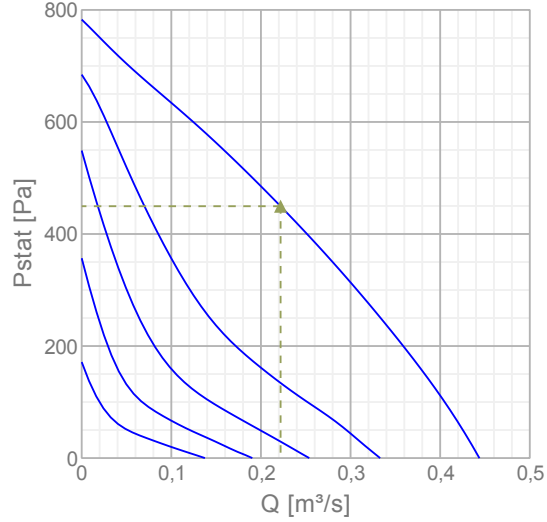


## Technical parameters

Nominal data	
Voltage	230 V
Frequency	50 Hz
Phase	1 ~
Input power (P1)	329 W
Current	1,43 A
Max. airflow	0,444 m³/s
R.p.m.	2401 r.p.m.
Capacitor	8 µF
Weight	10,7 kg
Temperature data	
Max. temperature of transported air	42,2 °C
Max. temperature of transported air when speed-controlled	38 °C
Sound data	
Sound pressure level at 10 m	53 dB(A)
Protection / Classification	
Insulation class	F
Enclosure class, motor	IP44
Default group	
Sound pressure level at 3 m	77 dB(A)

## Diagrams

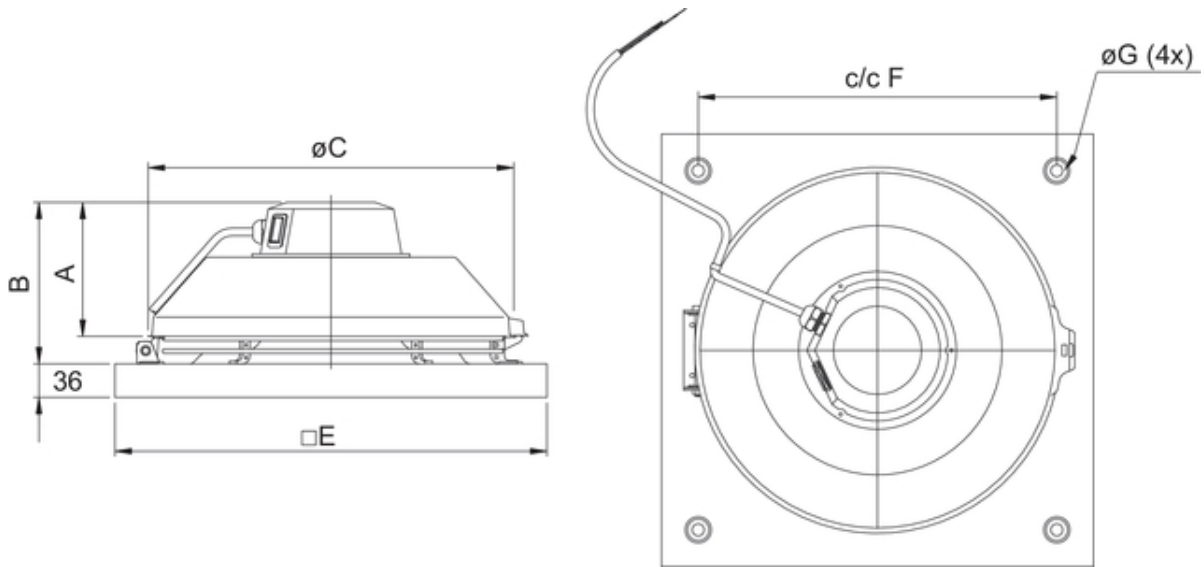
### Diagrams



### Max efficiency

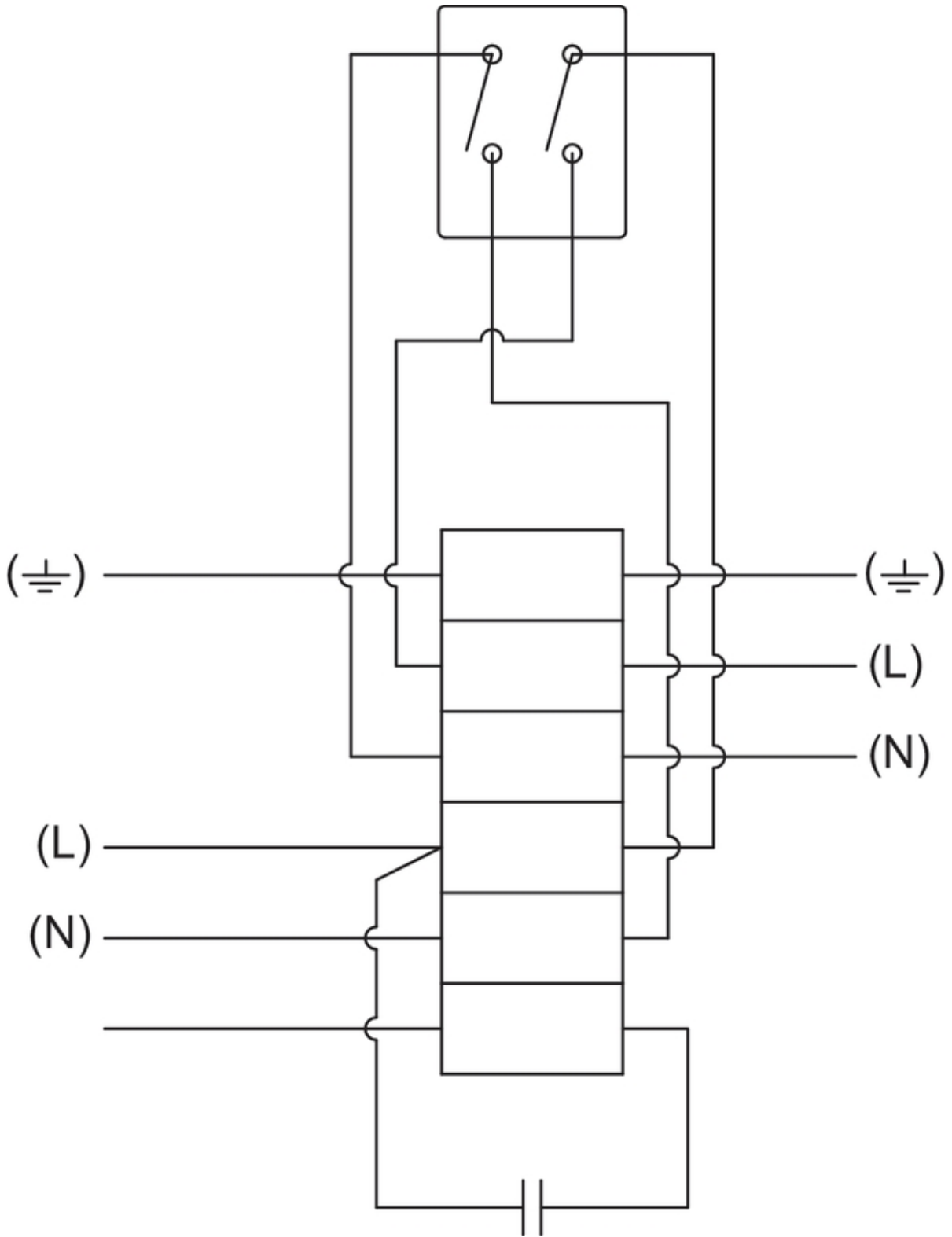
Hydraulic data											
▲ Working air flow	0,222 m³/s										
▲ Working static pressure	450 Pa										
▲ Power	320 W										
Speed	2432 r.p.m.										
Current	1,39 A										
SFP	1,44 W/(l/s)										
Voltage	230 V										
Sound power level	63	125	250	500	1k	2k	4k	8k	Tot		
Inlet	dB(A)		51	70	68	75	71	67	63	54	78
Outlet	dB(A)		37	62	65	82	79	73	64	57	84

## Dimensions



TFSK	A	B	$\varnothing C$	$\square E$	c/c F	$\varnothing G$
315M/L	160	206	404	521	450	11

# Wiring



## Accessories


### Electric accessories


[RE 1.5 Speed control \(5000\)](#)  
[REU 1.5 Speed control \(5004\)](#)  
[REE 2 Speed control \(5316\)](#)  
[REPT 6 Digital regulator \(5698\)](#)  
[RT 0-30 Room Thermostat \(5151\)](#)  
[CO2RT-R-D Transmitter \(6993\)](#)  
[Presence detector/IR24-P \(6995\)](#)  
[F251-16-60 Cookerhood transf \(5931\)](#)  
[DTV200 \(6261\)](#)  
[STL 3 Speed controller \(84261\)](#)  
[MicroREX D21 Plus Time Switch \(17822\)](#)  
[DTV500A \(96807\)](#)

### Accessories

[LDC 200-600 Silencer \(5194\)](#)  
[LDC 200-900 Silencer \(5195\)](#)  
[TG 540-1230 Roof curb \(1726\)](#)  
[TG 540-800 Roof curb \(1727\)](#)  
[BTG 540 Back Draft Damper \(5093\)](#)  
[RSK-200 Back draft damper \(5602\)](#)  
[VKS 310/311 Back draft damper \(9543\)](#)  
[VKM 310/311 Back draft damper \(9555\)](#)  
[ASF 310/311 inlet flange DVS \(9568\)](#)  
[ASS 310/311 flex. inl.con. DVS \(9575\)](#)  
[FDS 315 M/LTFSK flat r. so. \(30010\)](#)  
[SSD 315 M/L TFSK Socket sil. \(30086\)](#)  
[ASK 315M/L TFSK for SSD 315 \(309229\)](#)  
[TDA DV 315 Adapter TFSK \(309230\)](#)  
[FDS-L 315 M/LTFSK flat r. so. \(95280\)](#)

## Documentation

 [132780\\_Fans\\_Instructions\\_Outside\\_EU\\_A002.pdf \(1 006,63kB\)](#)

 [Certificate S-mark TFSK\\_R 1309486\\_EN.pdf \(1,77MB\)](#)

## Specification text